



OPPLE

LIGHTING.

OPPLE Lighting.

Dear valued customers,

It is with great pride that I present our new portfolio, packed with many new products and solutions, in line with our promise **“OPPLE creates affordable, high-quality innovative LED lighting”**. As you will discover, we are putting more and more focus onto the expansion of our, affordable, easy-to-install and easy-to-use OPPLE Smart Lighting portfolio. Explore the new Smart solutions from page 20.

OPPLE strives to create an experience beyond your expectations, to ensure your success. Keeping things simple, with fast responses and delivering on our promise. OPPLE people make it possible!

OPPLE in Europe started as a small team early 2014. Now after 6 years we are stronger than ever, more professional, more experienced, and still with the pure dedication to serve and surprise our customers – that’s who we are, that is our ambition, that’s why we do it.

OPPLE - SEE BEYOND!



Jeroen Janssen
Managing Director
Opple Lighting Europe



Who we are

OPPLE is a fast growing, family-owned company with more than 20 years of experience in lighting. Listed on the Shanghai Stock Exchange since 2016 and ranked in the global top-10 leading lighting companies. Every day more than 6,000 enthusiastic employees work tirelessly in regional sales offices around the world and on the OPPLE campus in China. There are around 4,000 OPPLE stores and more than 40,000 points of sale worldwide.



1996
Company founded in Zhongshan, China. Factory built in Guangdong, China

2000
Rollout first China OPPLE brand stores

2004
Start international sales



2009
Opening global HQ in Shanghai, China

2012
Opening new factory and R&D Center in Wujiang, China



2013
Opening Europe HQ in the Netherlands

2016
IPO at Shanghai Stock Exchange



2018
Opplle introduces Smart Bluetooth system







Smart	12
Indoor	26
Outdoor	104
Lamps & Accessories	124
Extended Portfolio	144
Technical data	148
Glossary	164

Content

SMART

Smart Lighting > **NEW CONNECT BOX** 12

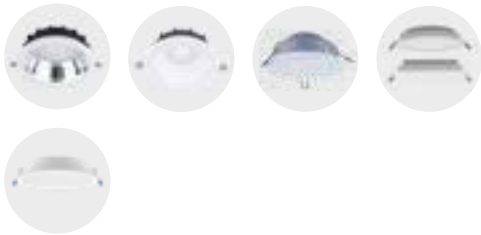
INDOOR

LED Panels (Recessed and Suspended)



LED Panel Recessed Grille	26
LED Panel Monza	28
LED Panel Sydney	30
LED Slim Panel Performer UGR19 G4	32
> NEW VERSIONS	
LED Slim Panel Ecomax UGR22	36
LED Slim Panel Basic G2 > NEW	38
LED Lima	40
LED Panel Suspended Zenith	42

LED Downlights



LED Downlight Performer HG > NEW VERSIONS	44
LED Downlight Performer MW > NEW VERSIONS	48
LED Downlight HZDIM	52
LED Downlight Slim EcoMax	54
LED Downlight Basic > NEW VERSIONS	56

LED Spots



LED Spot Performer 3C Compact	58
LED Spot Performer 3C	60
LED Spot Ecomax 3C > NEW	62
LED Spot Swing > NEW VERSIONS	64
LED Spot Performer RA	66
LED Spot Round Adjustable HQ	68
LED Recessed Spot Ava	70
LED Spot Ecomax	72

LED Decorative Luminaires Wall & Ceiling



LED Ceiling Light Apollo	74
LED Ceiling Light Apollo Basic > NEW	76

LED Battens



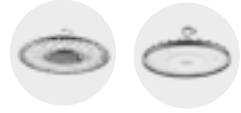
LED T8 Batten	78
LED T5 Batten Ecomax	80
LED T5 Batten S with Switch	82

LED Lowbay



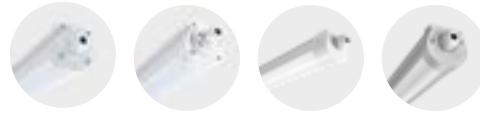
LED Lowbay	84
------------	----

LED Highbay



LED Highbay Performer G4 > NEW SMART	86
LED Highbay Ecomax > NEW	90

LED Waterproofs



LED Waterproof Performer G2	92
LED Waterproof Performer G3 > NEW	94
LED Waterproof Ecomax G2 > NEW	96
LED Waterproof Basic > NEW VERSIONS	98

LED Trunking



LED Trunking	100
--------------	-----

OUTDOOR

LED Roadlight



LED Roadlight 104

LED Streetlight



LED Streetlight 106

LED Floodlights



LED Flood HO 108

LED Floodlight Performer
(90W/125W/160W/220W) > **NEW 220W** 110

LED Floodlight Ecomax G2 (30W/50W/70W) 112

LED Floodlight Ecomax G2 (10W/19W) 114

LED Floodlight Basic 116

LED Wall & Ceiling Luminaires



LED Porchlight 118

LED Wall Mounted Performer > **NEW** 120

LAMPS & ACCESSORIES

LED Filament



LED Filament A60 124

LED Filament B35 126

LED Filament Mini Globe 128

LED Filament ST64 130

LED Reflectors



LED Reflector Ecomax GU10 132

LED Tubes



LED T8 Tube 134

High Power Bulb



High Power Bulb 136

LED Modules



LED Module Clio 138

Light Master



Light Master G3 > **NEW** 140

EXTENDED PORTFOLIO

Emergency codes 144

TECHNICAL DATA

Dimmer compatibility list 148

Cut-out conversion list 151

Connection specifications 152

Motion Sensors - detection range 154

Roadlight / Streetlight - pole distances 156

Flood HO - configuration examples 158

Trunking - module allocation 160

GLOSSARY

Glossary 164

OPPLE Online

Check our website (www.opple.com) for the latest overview of our complete portfolio and related specifications.



Energy labels | Family sheets | Installation instructions | Dimmer compatibility list
| Photometric data | Connection specifications | Safety Instructions | Guarantee &
Warranty policy | Terms & conditions | Tools



@OpplLightingEurope





Smart 12

Indoor 26

Outdoor 104

Lamps & Accessories 124

Extended Portfolio 144

Technical data 148

Glossary 164

A modern office hallway with a grey carpet and white walls. The ceiling is white with several recessed circular lights. On the right side, there are two white armchairs with black metal frames. In the background, there is a white door with a green exit sign above it. The overall atmosphere is clean and professional.

OPPLE

SMART LIGHTING.

Get SMART with OPPLE!

OPPLE's Smart Lighting system is characterised by extremely simple installation: the luminaires can be fitted into the ceiling and connected to the power supply directly out of the box. No extra wires, fittings, gateways, servers or controllers are required. All luminaires can be controlled via the OPPLE Smart Lighting App and extra energy can be saved with the use of the OPPLE Smart Sensors.





Dynamic LED lighting with its unique features.

FIT OPPLER SMART LED LIGHTING - IN JUST A FEW EASY STEPS - WITHIN AN EXISTING SYSTEM.

Quick and easy lighting system

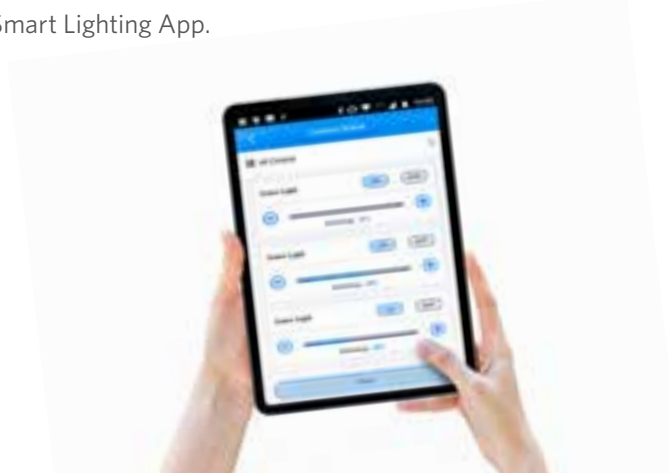
Wouldn't that be fantastic: a smart lighting system that can be installed with the flick of the wrist as an addition to an existing system. Without extra wiring, gateways, servers or drivers. A system in which luminaires can be recessed in the ceiling and can be connected straight out of the box. And the control panel that allows you to control the light directly? That works wirelessly too, it's that easy.

Always the right light scene

OPPLE presents Smart Lighting; a flexible system that allows you to simply set various light scenes for each space. At any moment you can switch to the desired scene, to compliment the activity in the office or school.

How smart do you want it?

Another smart feature of OPPLER Smart Lighting is that the Smart Sensor measures both movement and the lux levels in the space. The amount of light the OPPLER Smart Lighting system emits is immediately adjusted to the incidental daylight to maintain the same level of light and save even more energy. It is also possible to have the light dim automatically to a set level; the ideal solution for hallways in a school or warehouse. All luminaires can be controlled with the free OPPLER Smart Lighting App.





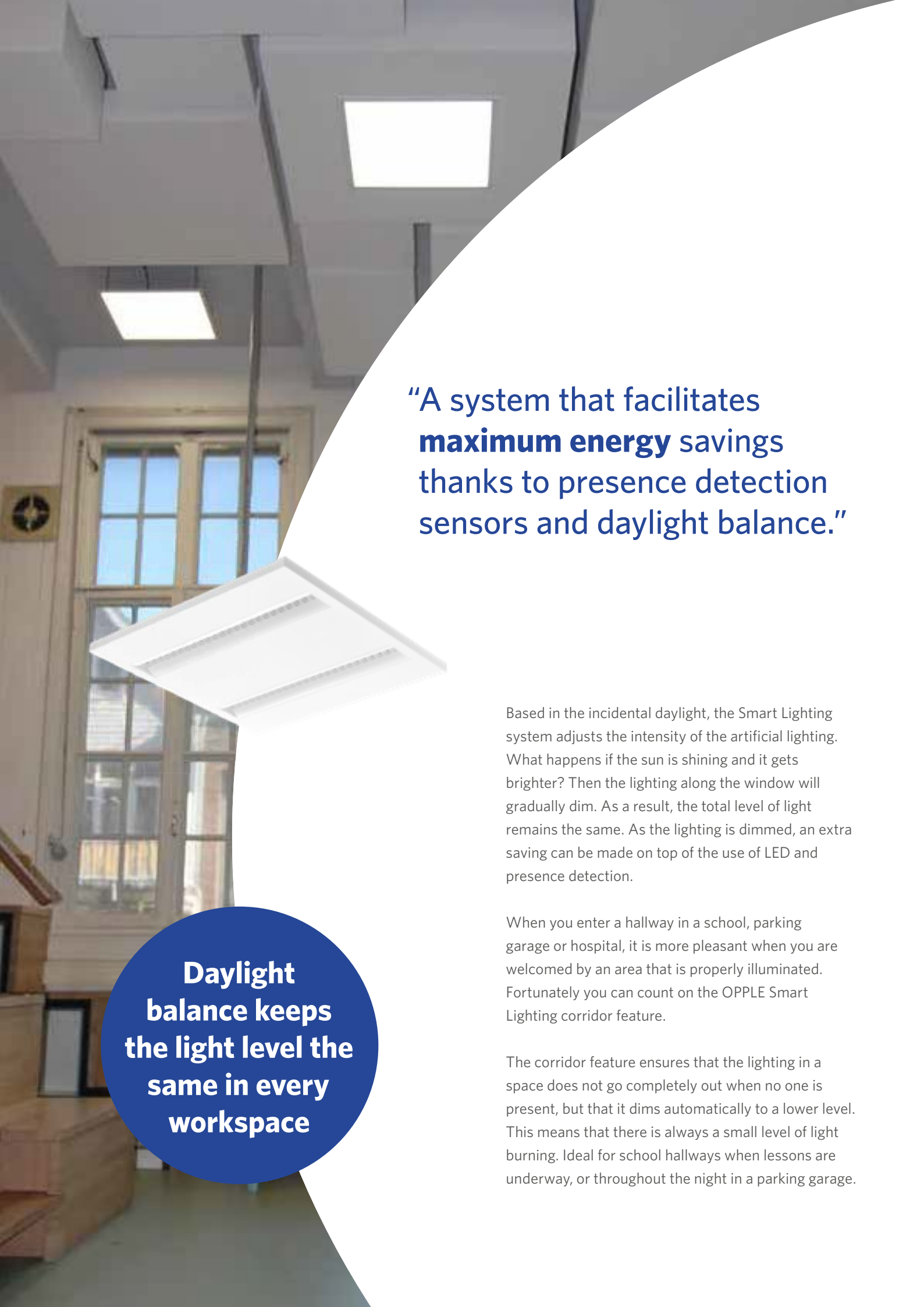
**Bright light during a meeting? Dimmed light
when no one is around the warehouse?
Or mood lighting during lunch?**
All possible with OPPLE Smart Lighting.

Ideal for all applications

OPPLE Smart Lighting system offers luminaires for office and industrial environments. SMART panels and downlights are suitable for your office environments. Warehouses, production areas and parking garages are covered by the OPPLE Smart Highbay and the OPPLE Smart Waterproof, which work together with the OPPLE Smart Microwave sensor to maximize energy savings when there is no one around.

No matter if it's an industrial hall or a classroom, all applications are possible with the OPPLE Smart Lighting System.





“A system that facilitates **maximum energy** savings thanks to presence detection sensors and daylight balance.”

Based in the incidental daylight, the Smart Lighting system adjusts the intensity of the artificial lighting. What happens if the sun is shining and it gets brighter? Then the lighting along the window will gradually dim. As a result, the total level of light remains the same. As the lighting is dimmed, an extra saving can be made on top of the use of LED and presence detection.

When you enter a hallway in a school, parking garage or hospital, it is more pleasant when you are welcomed by an area that is properly illuminated. Fortunately you can count on the OPPLE Smart Lighting corridor feature.

The corridor feature ensures that the lighting in a space does not go completely out when no one is present, but that it dims automatically to a lower level. This means that there is always a small level of light burning. Ideal for school hallways when lessons are underway, or throughout the night in a parking garage.

**Daylight
balance keeps
the light level the
same in every
workspace**

STEP 1

INSTALL

STEP 2DOWNLOAD
APP**STEP 3**SELECT
LUMINAIRES**STEP 4**SELECT
SPACES**STEP 5**CREATE
SCENES

DONE

*Simple to set
in just a few easy steps.*



As soon as a person is detected, the lighting returns to the pre-set level, for example from 10% to 100%. If you wish the lighting to go out completely after a set period, this is also simple to set. Because the lighting is not constantly burning brightly, this saves a considerable amount of energy.

The chandelier in the foyer, the table lamps on the desks and the mood lighting in the coffee corner; they are all easy to forget to switch off at the end of a workday, and during the day they are sometimes burning unnecessarily in a meeting room. With the Smart Relay it is possible to integrate these luminaires in the OPPLE smart system too. Thanks to the remote control switch, it is no longer necessary to purchase separate switches to control decorative lighting.

All the lighting connected to the Smart Relay responds in line with the OPPLE smart luminaires. So that for example the mood lighting above the bar in the coffee corner also goes off automatically when no one is detected any longer. Even the Christmas tree lights will no longer be forgotten! The Smart Relay can also be controlled through the App.



With OPPLE Smart Lighting you can count on:

- completely wireless control of lighting utilizing Bluetooth Low Energy Mesh
- dynamic lighting without extra wiring
- quick and easy installation, no need for a gateway
- maximum energy savings thanks to the use of Smart Sensors
- various scenes/moods can be set using the free OPPLE Smart Lighting App
- unique features like daylight balance, the corridor feature and smart relay
- maximum security thanks to coded signals and strict user management
- an excellent and affordable Smart Lighting system

OPPLE Smart Connect Box

OPPLE Lighting has expanded its Smart Lighting system through adding a new product: the Smart Connect Box. An extremely versatile device that facilitates the connection of your Smart Lighting system with the outside world.

The idea is simple: after connecting the Smart Connect Box to the network in your building, you can communicate remotely with all the Smart luminaires, sensors, and switches. The Smart Connect Box offers especially great benefits for larger buildings with multiple floors.

The benefits

- Maps out data clearly on energy consumption, temperature, humidity and occupancy detection for each building, floor and room.
- Always and everywhere in control: operate your building's lighting from a remote location.
- All DALI luminaires can be linked and operated via Smart Switch, Smart Sensor or Smart App.
- Scheduler: luminaire automatic on-/off switch at a specific time or date.
- Links multiple Smart Projects in a single project.
- Completely compatible with the existing OPPLE Smart Lighting system.

Monitoring data remotely

All OPPLE Smart Lighting system devices can communicate with each other, however the Smart Connect Box now makes it possible for you to connect with and control your lighting system remotely. A great benefit of the Smart Connect Box is that you can monitor information very simply. The OPPLE Cloud offers insights into all sorts of data regarding your building, which you have at your disposal via your laptop or tablet in real time.

Mapping out energy consumption

The Smart Connect Box can generate graphs for each building, floor and room. Revealing the energy consumption within a certain period, the climate and at what times occupancy is detected. The Smart Connect Box makes it a simple matter to switch luminaires on or off or set them automatically with the scheduler. This makes the Smart Connect Box an ideal solution for facility managers for the management of large buildings. Targets for green activities such as energy consumption reduction are simpler to achieve.



Get insights in your building's data **in the most easy way!**

It is a simple matter to connect the Smart Connect Box to your OPPLE Smart Lighting system. There is nothing for you to change or replace in your current Smart Lighting system.

Want to incorporate the Smart Connect Box as part of your current building management system (BMS)? This is easy to realise using Modbus: the Smart Connect Box can be connected to this and all the data is made available to the existing BMS.

Affordable

OPPLE supplies excellent quality LED lighting at very competitive prices. It has never been so simple and affordable to install and use Smart Lighting. You can count on a return on investment inside a matter of months. Our service desk is always ready to help you with a customised lighting plan and immediately calculates the energy saving this will deliver.

Want to know more? Our account managers are waiting to hear from you.

Would you like to know more about OPPLE Smart Lighting or would you like to make an appointment for a demonstration?

Please contact one of our account managers through our service line 088 0567888 or send an e-mail to service@opple.com.



Smart Connect Box - 560000005700



LED Smart Lighting

Specifications

Item Code	Item Description	Equivalent to (W)	Power (W)	Lumen	Efficacy (lm/W)	UGR	CCT (K)	CRI
Panel Monza								
542003015800	LEDPanelRc-Mo Sq620-35W-BLE-3000-WH-U19	CFL 1x55W	35	3800	109	19	3000	80
542003015900	LEDPanelRc-Mo Sq620-35W-BLE-4000-WH-U19	CFL 1x55W	35	4000	114	19	4000	80
542003015600	LEDPanelRc-Mo Sq595-35W-BLE-3000-WH-U19	CFL 1x55W	35	3800	109	19	3000	80
542003015700	LEDPanelRc-Mo Sq595-35W-BLE-4000-WH-U19	CFL 1x55W	35	4000	114	19	4000	80
Panel Sydney								
542008002100	LEDSydneyRc-P Sq595-35W-BLE-3000-WH-U19	TL 4x18W	35	3600	103	19	3000	80
542008002200	LEDSydneyRc-P Sq595-35W-BLE-4000-WH-U19	TL 4x18W	35	3800	108	19	4000	80
542008002300	LEDSydneyRc-P Re295-35W-BLE-3000-WH-U19	TL 2x36W	35	3600	103	19	3000	80
542008002400	LEDSydneyRc-P Re295-35W-BLE-4000-WH-U19	TL 2x36W	35	3800	108	19	4000	80
Slim Panel Performer U19								
542004014000	LEDPanelRc-S4 Sq595-30W-BLE-3000-WH-U19	TL 4x18W	30	3300	110	19	3000	80
542004014100	LEDPanelRc-S4 Sq595-30W-BLE-4000-WH-U19	TL 4x18W	30	3500	115	19	4000	80
542004045700	LEDPanelRc-S4 Sq595-35W-BLE-3000-WH-U19	TL 4x18W	35	3800	110	19	3000	80
542004051000	LEDPanelRc-S4 Sq595-34W-BLE-940-WH-U19	TL 4x18W	34	3400	100	19	4000	90
542004045800	LEDPanelRc-S4 Sq595-35W-BLE-4000-WH-U19	TL 4x18W	35	4000	115	19	4000	80
542004014200	LEDPanelRc-S4 Re295-30W-BLE-3000-WH-U19	TL 2x36W	30	3300	110	19	3000	80
542004014300	LEDPanelRc-S4 Re295-30W-BLE-4000-WH-U19	TL 2x36W	30	3500	115	19	4000	80
542004046000	LEDPanelRc-S4 Re295-35W-BLE-3000-WH-U19	TL 2x36W	35	3800	110	19	3000	80
542004046100	LEDPanelRc-S4 Re295-35W-BLE-4000-WH-U19	TL 2x36W	35	4000	115	19	4000	80
542004016500	LEDPanelRc-S4 Sq622-30W-BLE-6500-WH-U19	TL 4x18W	30	3500	115	19	6500	80
542004046300	LEDPanelRc-S4 Sq622-35W-BLE-3000-WH-U19	TL 4x18W	35	3800	110	19	3000	80
542004046400	LEDPanelRc-S4 Sq622-35W-BLE-4000-WH-U19	TL 4x18W	35	4000	115	19	4000	80
542004051400	LEDPanelRc-S4 Sq622-34W-BLE-940-WH-U19	TL 4x18W	34	3400	100	19	4000	90
542004046500	LEDPanelRc-S4 Sq622-35W-BLE-6500-WH-U19	TL 4x18W	35	4000	115	19	6500	80
Lima								
542005004900	LEDLima L12-15W-3000-U19-BLE	TL 1x28W	15	1725	110	19	3000	80
542005004800	LEDLima L12-15W-4000-U19-BLE	TL 1x28W	15	1800	115	19	4000	80
542005004700	LEDLima L15-18W-3000-U19-BLE	TL 1x35W	18	2070	110	19	3000	80
542005004600	LEDLima L15-18W-4000-U19-BLE	TL 1x35W	18	2160	115	19	4000	80
542005004500	LEDLima L12-30W-3000-U22-BLE	TL 1x54W	30	3300	110	22	3000	80
542005004400	LEDLima L12-30W-4000-U22-BLE	TL 1x54W	30	3450	115	22	4000	80
542005004300	LEDLima L15-36W-3000-U22-BLE	TL 1x80W	36	3960	110	22	3000	80
542005004200	LEDLima L15-36W-4000-U22-BLE	TL 1x80W	36	4140	115	22	4000	80
Zenith								
542006001000	LEDPanelSp-Z L1222-75W-BLE-3000-AL	TL 2x58W	75	7875	105	19	3000	80
542006000900	LEDPanelSp-Z L1222-75W-BLE-4000-AL	TL 2x58W	75	7875	105	19	4000	80

Item Code	Item Description	Equivalent to (W)	Power (W)	Lumen	Efficacy (lm/W)	UGR	CCT (K)	CRI
Downlight Performer HG								
140063611	LEDDownlightRc-P-HG R150-11.5W-BLE-3000	CFL 1x18W	11,5	1150	100	19	3000	80
140063612	LEDDownlightRc-P-HG R150-11.5W-BLE-4000	CFL 1x18W	11,5	1200	102	19	4000	80
140063613	LEDDownlightRc-P-HG R200-15W-BLE-3000	CFL 1x26W	15	1600	105	19	3000	80
140063614	LEDDownlightRc-P-HG R200-15W-BLE-4000	CFL 1x26W	15	1660	107	19	4000	80
540001085400	LEDDownlightRc-P-HG R200-15W-BLE-940	CFL 1x26W	15	1600	100	19	4000	90
140063615	LEDDownlightRc-P-HG R200-23W-BLE-3000	CFL 2x26W	23	2350	100	19	3000	80
140063616	LEDDownlightRc-P-HG R200-23W-BLE-4000	CFL 2x26W	23	2400	102	19	4000	80
540001085600	LEDDownlightRc-P-HG R200-23W-BLE-940	CFL 2x26W	23	2350	100	19	4000	90
140063617	LEDDownlightRc-P-HG R200-33W-BLE-3000	CFL 2x32W	33	3360	103	22	3000	80
140063618	LEDDownlightRc-P-HG R200-33W-BLE-4000	CFL 2x32W	33	3500	105	22	4000	80
Downlight Performer MW								
140063619	LEDDownlightRc-P-MW R150-11.5W-BLE-3000	CFL 1x18W	11,5	1150	100	19	3000	80
140063620	LEDDownlightRc-P-MW R150-11.5W-BLE-4000	CFL 1x18W	11,5	1200	102	19	4000	80
140063621	LEDDownlightRc-P-MW R200-15W-BLE-3000	CFL 1x26W	15	1600	105	19	3000	80
140063622	LEDDownlightRc-P-MW R200-15W-BLE-4000	CFL 1x26W	15	1660	107	19	4000	80
540001087800	LEDDownlightRc-P-MW R200-15W-BLE-940	CFL 1x26W	15	1600	100	19	4000	90
140063623	LEDDownlightRc-P-MW R200-23W-BLE-3000	CFL 2x26W	23	2350	100	19	3000	80
140063624	LEDDownlightRc-P-MW R200-23W-BLE-4000	CFL 2x26W	23	2400	102	19	4000	80
540001088000	LEDDownlightRc-P-MW R200-23W-BLE-940	CFL 2x26W	23	2350	100	19	4000	90
140063625	LEDDownlightRc-P-MW R200-33W-BLE-3000	CFL 2x32W	33	3360	103	22	3000	80
140063626	LEDDownlightRc-P-MW R200-33W-BLE-4000	CFL 2x32W	33	3500	105	22	4000	80
Spot Swing								
541003101900	LEDSpotRS -P 35W-3000-60D-WH-BLE	HID 50W	35	3150	90		3000	90
541003102000	LEDSpotRS -P 35W-4000-60D-WH-BLE	HID 50W	35	3500	100		4000	90
Highbay G4								
545001009700	LEDHighbay-P4 80W-4000-N-BLE	HID 250W	80	10400	130		4000	80
545001009800	LEDHighbay-P4 80W-4000-W-BLE	HID 250W	80	10400	130		4000	80
545001009600	LEDHighbay-P4 80W-4000-AS-BLE	HID 250W	80	10400	130		4000	80
545001024300	LEDHighbay-P4 80W-5700-N-BLE	HID 250W	80	10400	130		5700	80
545001024400	LEDHighbay-P4 80W-5700-W-BLE	HID 250W	80	10400	130		5700	80
545001024500	LEDHighbay-P4 80W-5700-AS-BLE	HID 250W	80	10400	130		5700	80
545001009500	LEDHighbay-P4 115W-4000-N-BLE	HID 400W	115	15000	130		4000	80
545001009400	LEDHighbay-P4 115W-4000-W-BLE	HID 400W	115	15000	130		4000	80
545001009300	LEDHighbay-P4 115W-4000-AS-BLE	HID 400W	115	15000	130		4000	80
545001024600	LEDHighbay-P4 115W-5700-N-BLE	HID 400W	115	15000	130		5700	80
545001024700	LEDHighbay-P4 115W-5700-W-BLE	HID 400W	115	15000	130		5700	80
545001024800	LEDHighbay-P4 115W-5700-AS-BLE	HID 400W	115	15000	130		5700	80
545001009200	LEDHighbay-P4 155W-4000-N-BLE	HID 400W	155	20000	130		4000	80
545001009100	LEDHighbay-P4 155W-4000-W-BLE	HID 400W	155	20000	130		4000	80
545001009000	LEDHighbay-P4 155W-4000-AS-BLE	HID 400W	155	20000	130		4000	80
545001024900	LEDHighbay-P4 155W-5700-N-BLE	HID 400W	155	20000	130		5700	80
545001025000	LEDHighbay-P4 155W-5700-W-BLE	HID 400W	155	20000	130		5700	80
545001025100	LEDHighbay-P4 155W-5700-AS-BLE	HID 400W	155	20000	130		5700	80
545001008900	LEDHighbay-P4 230W-4000-N-BLE	HID 600W	230	30000	130		4000	80
545001008800	LEDHighbay-P4 230W-4000-W-BLE	HID 600W	230	30000	130		4000	80
545001008700	LEDHighbay-P4 230W-4000-AS-BLE	HID 600W	230	30000	130		4000	80
545001025200	LEDHighbay-P4 230W-5700-N-BLE	HID 600W	230	30000	130		5700	80
545001025300	LEDHighbay-P4 230W-5700-W-BLE	HID 600W	230	30000	130		5700	80
545001025400	LEDHighbay-P4 230W-5700-AS-BLE	HID 600W	230	30000	130		5700	80
Waterproof Performer G3								
543022019800	LEDWaterproof-P3 L710-22W-4000-BLE	TL 2x18W	36	3000	130		4000	80
543022019300	LEDWaterproof-P3 L1310-36W-4000-BLE	TL 2x36W	36	5000	130		4000	80
543022019400	LEDWaterproof-P3 L1610-31W-4000-BLE	TL 1x58W	31	4200	130		4000	80
543022019600	LEDWaterproof-P3 L1610-51W-4000-BLE	TL 2x58W	51	7000	130		4000	80

Accessories



140063563
LEDsmartlight-Rc-Sensor
10 m.



560098000600
LEDsmart-Sensor Surface-
Module-WH



140063564
LEDsmartlight-Switch



506006003100
LEDsmart-Relay-500W



560000005700
Smart Connect Box



560000008400
LEDsmartlight-Rc-MW-Sensor
12-16 m.



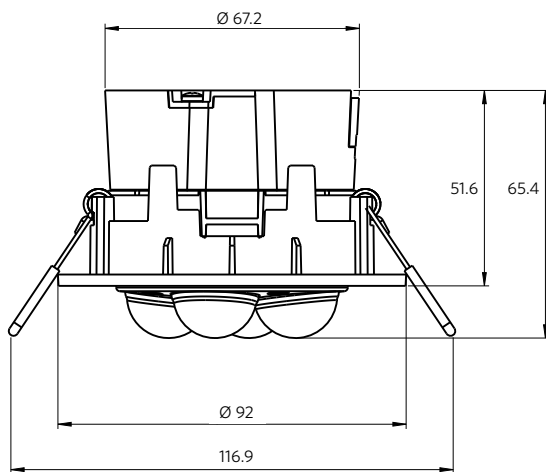
560006000900
LEDsmart-Sensor IP65-Base-Module
Excluding sensor



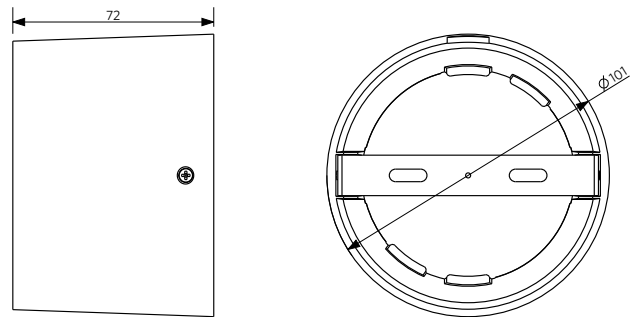
560006001000
LEDsmart-Sensor IP65-Module
Excluding sensor

Dimensional Drawing (mm)

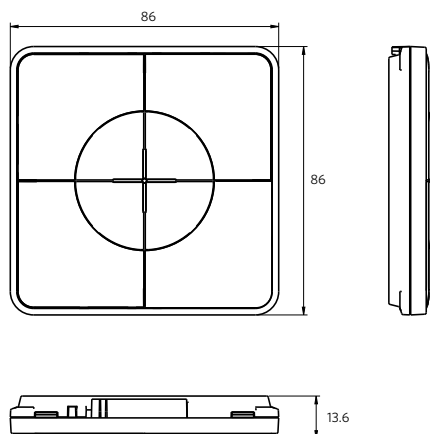
140063563
LEDsmartlight-Rc-Sensor



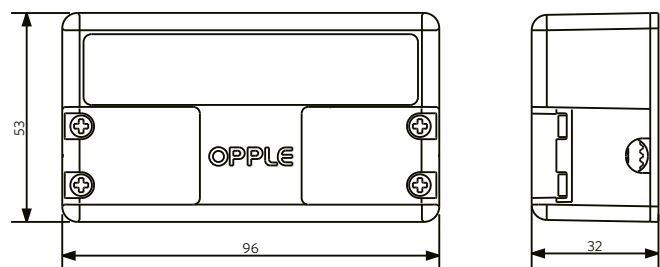
560098000600
LEDsmart-Sensor Surface-
Module-WH



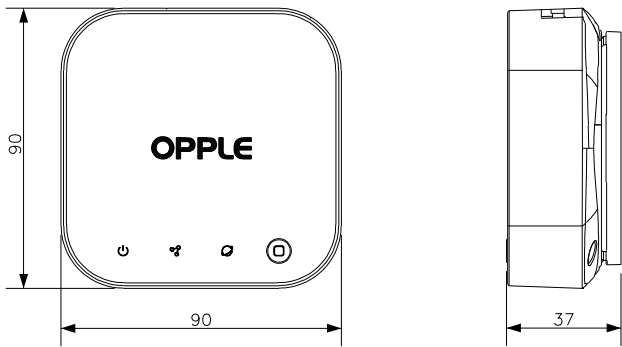
140063564
LEDsmartlight-Switch



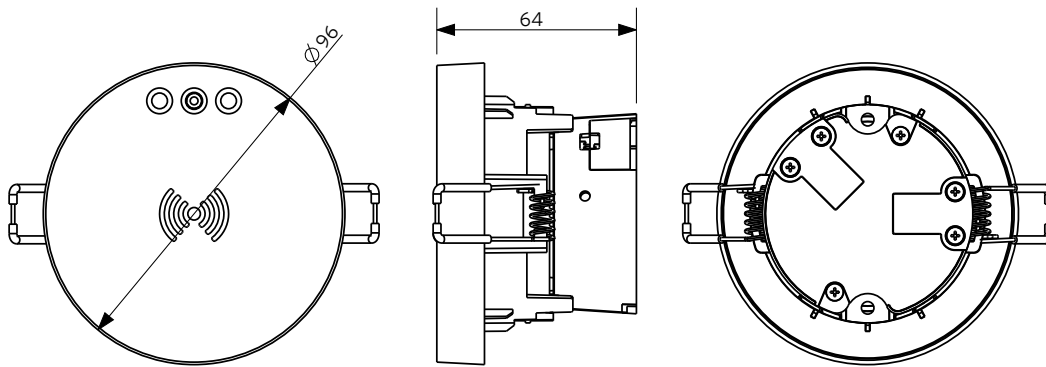
506006003100
LEDsmart-Relay-500W



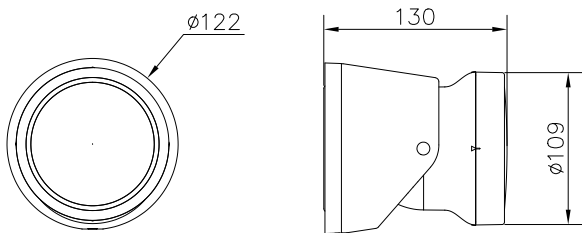
56000005700
Smart Connect Box



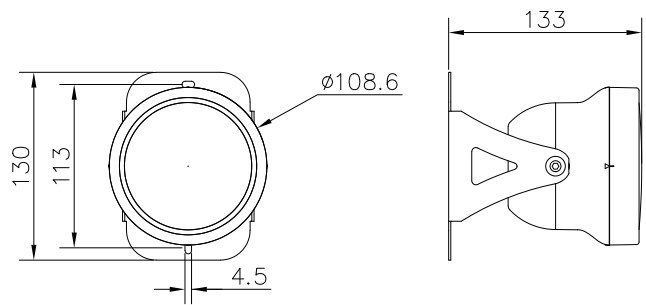
56000008400
LEDSmartlight-Rc-MW-Sensor



56000600900
LEDSmart-Sensor IP65-Base-Module



560006001000
LEDSmart-Sensor IP65-Module



Installation Opening Drawing (mm)

LEDSmartlight-Rc-Sensor
 $\varnothing 80$ mm



LEDSmartlight-Rc-MW-Sensor
 $\varnothing 80$ mm







Smart 12

Indoor 26

Outdoor 104

Lamps & Accessories 124

Extended Portfolio 144

Technical data 148

Glossary 164



LED Panel Recessed Grille

- Design low glare LED panel
- Direct replacement for existing T5 and T8 fixtures
- Comfortable lighting for study and work environment (UGR < 16)
- System efficacy up to 113 lm/W
- Significantly lower energy consumption up to 55%



Specifications

Item Code	Item Description	Equivalent to (W)	Power (W)	Lumen	Efficacy (lm/W)	CCT (K)	Weight (kg/pc)
140043967	LEDPanelRc-G Sq598-36W-3000-WH-CT	TL 4x18W	36	3800	106	3000	4.12
140043968	LEDPanelRc-G Sq598-36W-4000-WH-CT	TL 4x18W	36	4050	113	4000	4.12
140043971	LEDPanelRc-G Re298-36W-3000-WH-CT	TL 2x36W	36	3800	106	3000	5.33
140043972	LEDPanelRc-G Re298-36W-4000-WH-CT	TL 2x36W	36	4050	113	4000	5.33
140043973	LEDPanelRc-G Re166-21W-3000-WH-CT	TL 1x36W	21	2000	95	3000	3.31
140043974	LEDPanelRc-G Re166-21W-4000-WH-CT	TL 1x36W	21	2090	100	4000	3.31
140043969	LEDPanelRc-G Sq298-11W-3000-WH-CT	CFL 2x18W	11	1050	95	3000	1.40
140043970	LEDPanelRc-G Sq298-11W-4000-WH-CT	CFL 2x18W	11	1090	99	4000	1.40
140046181	LEDPanelRc-G Sq598-36W-DALI-3000-WH-CT	TL 4x18W	36	3800	106	3000	4.90
140046182	LEDPanelRc-G Sq598-36W-DALI-4000-WH-CT	TL 4x18W	36	4050	113	4000	4.90
140046185	LEDPanelRc-G Re298-36W-DALI-3000-WH-CT	TL 2x36W	36	3800	106	3000	5.00
140046186	LEDPanelRc-G Re298-36W-DALI-4000-WH-CT	TL 2x36W	36	4050	113	4000	5.00
140046187	LEDPanelRc-G Re166-21W-DALI-3000-WH-CT	TL 1x36W	21	2000	95	3000	3.31
140046188	LEDPanelRc-G Re166-21W-DALI-4000-WH-CT	TL 1x36W	21	2090	100	4000	3.31
140046183	LEDPanelRc-G Sq298-13W-DALI-3000-WH-CT	CFL 2x18W	13	930	72	3000	1.40
140046184	LEDPanelRc-G Sq298-13W-DALI-4000-WH-CT	CFL 2x18W	13	990	76	4000	1.40

Available on request with 3- or 5- or 3+2 pole Wieland GST18i of Wago WINSTA connector. Emergency lighting available on request.

Accessories

Surface mounting frame				Recessed mounting frame	
140044054 LEDPanelRc-G Sq598-Surface Module-CT	140044056 LEDPanelRc-G Sq298-Surface Module-CT	140044055 LEDPanelRc-G Re298-Surface Module-CT	140044057 LEDPanelRc-G Re166-Surface Module-CT	542098009600 LEDPanelRc Sq600-Frame- WH	542098009800 LEDPanelRc Re300-Frame- WH

Technical Specifications

Lifespan (L70B50)	70,000 h
Lifespan (L80B50)	50,000 h
On-/Off-cycles	100,000
Colour consistency (SDCM)	3
Dimmable	No / Yes (DALI)
Beam angle	90 °
Finishing	White RAL9003
Colour rendering index CRI	≥ 80
UGR	16
Degree of protection (IP)	IP20
Impact strength	IK02
Protection class	I
Risk group	RG0
Control gear included	Yes
Glow wire test	650 °C
Driver failure rate (at 5,000 hrs)	1 %
Power factor	≥ 0.9

Electrical Supply

Frequency	50/60 Hz
Nominal voltage	220-240 V AC
DC input voltage	Yes, see Appendix 3

Mechanical Properties

Material housing	Coated Steel
Optical material	Polycarbonate

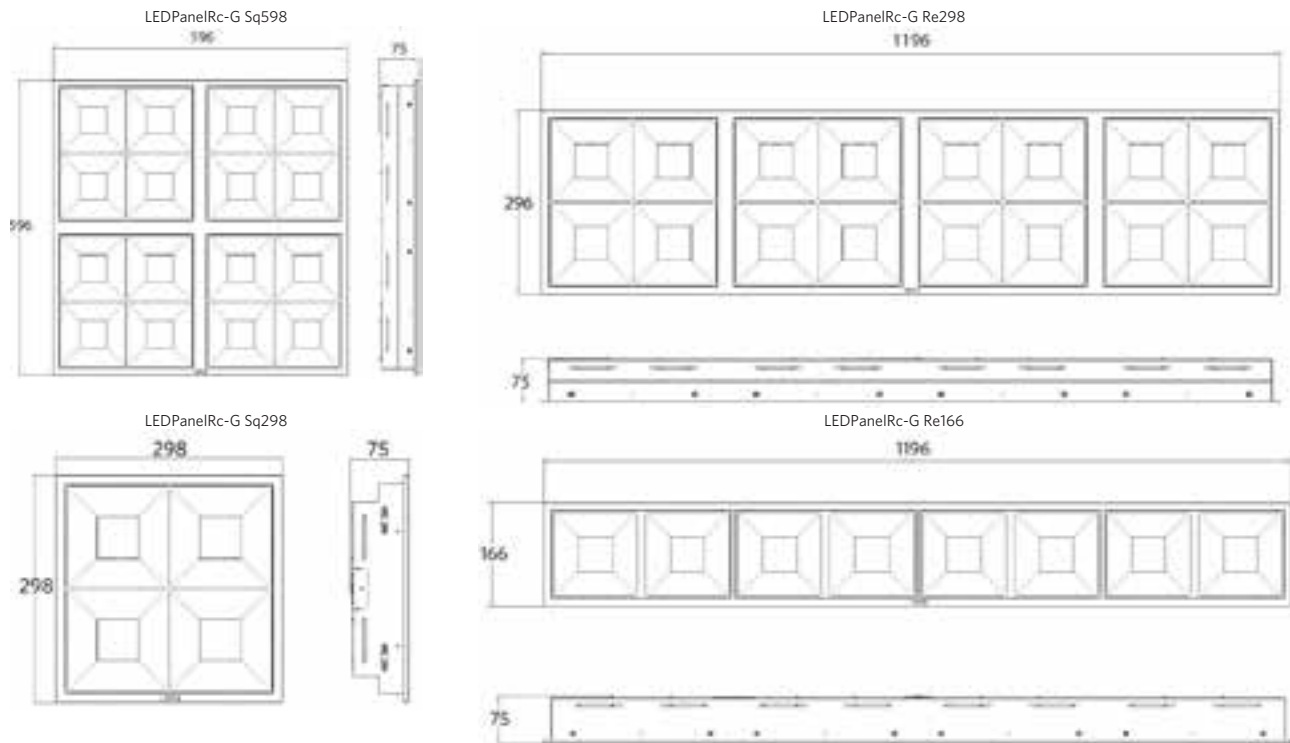
Ambient Conditions

Operating temperature	-10 ~ 40 °C
Application temperature	25 °C
Storage environment	-25 ~ 50 °C



INDOOR

Dimensional Drawing (mm)



Installation Opening Drawing (mm)

LEDPanelRc-G Sq298
285 x 285





LED Panel Monza

- NEW: Recessed ceiling frame available as accessory
- Architectural LED panel with direct/indirect light
- Unique low glare optics
- High efficacy up to 114 lm/W
- Suitable for office applications, UGR<19
- Perfect replacement of traditional CFL 55W panels - offering up to 50% energy saving



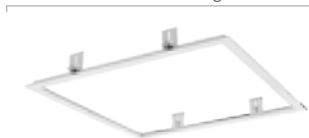
Specifications

Item Code	Item Description	Equivalent to (W)	Power (W)	Lumen	Efficacy (lm/W)	CCT (K)	Weight (kg/pc)
542003016800	LEDPanelRc-Mo Sq595-35W-3000-WH-U19	CFL 1x55W	35	3800	109	3000	4.18
542003016900	LEDPanelRc-Mo Sq595-35W-4000-WH-U19	CFL 1x55W	35	4000	114	4000	4.18
542003015200	LEDPanelRc-Mo Sq595-35W-DALI-3000-WH-U19	CFL 1x55W	35	3800	109	3000	4.22
542003015300	LEDPanelRc-Mo Sq595-35W-DALI-4000-WH-U19	CFL 1x55W	35	4000	114	4000	4.22
542003015600	LEDPanelRc-Mo Sq595-35W-BLE-3000-WH-U19	CFL 1x55W	35	3800	109	3000	4.23
542003015700	LEDPanelRc-Mo Sq595-35W-BLE-4000-WH-U19	CFL 1x55W	35	4000	114	4000	4.23
542003016000	LEDPanelRc-Mo Sq595-35W-10V-3000-WH-U19	CFL 1x55W	35	3800	109	3000	4.22
542003016100	LEDPanelRc-Mo Sq595-35W-10V-4000-WH-U19	CFL 1x55W	35	4000	114	4000	4.22

Available on request with 3- or 5- or 3+2 pole Wieland GST18i of Wago WINSTA connector. Emergency lighting available on request. DALI2 versions are compatible with central emergency lighting according to EN 50172. DALI2 driver compatible with 230V push dimming.

Accessories

Recessed mounting frame



542098009600
LEDPanelRc Sq600-Frame-WH



542098000800
LEDPanelRC-SI U19 EM-kit 1h

542098000900
LEDPanelRC-SI U19 EM-kit 3h



INDOOR

Technical Specifications

Lifespan (L70B50)	70,000 h
Lifespan (L80B50)	50,000 h
On-/Off-cycles	100,000
Colour consistency (SDCM)	3
Dimmable	No / Yes (DALI/BLE/1-10V)
Beam angle	90 °
Finishing	White
Colour rendering index CRI	≥ 80
UGR	19
Degree of protection (IP)	IP20
Impact strength	IK02
Protection class	II
Risk group	RG0
Control gear included	Yes
Glow wire test	650 °C
Driver failure rate (at 5,000 hrs)	0.5 %
Power factor	≥ 0.9

Electrical Supply

Frequency	50/60 Hz
Nominal voltage	220-240 V AC
DC input voltage	Yes, see Appendix 3

Mechanical Properties

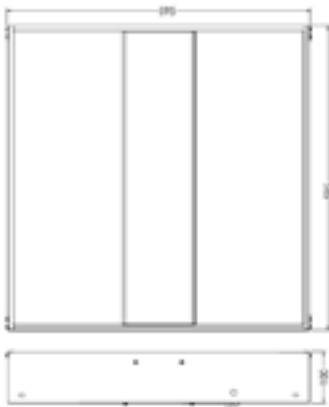
Material housing	Steel
Optical material	PMMA
Cover material	Polystyrene

Ambient Conditions

Operating temperature	-10 ~ 40 °C
Application temperature	25 °C
Storage environment	-25 ~ 50 °C

Dimensional Drawing (mm)

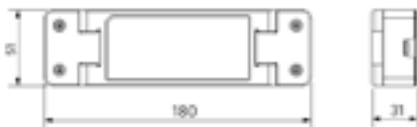
LEDPanelRc-Mo Sq595



LEDPanelRc-Mo
Driver On/Off



LEDPanelRc-Mo
Driver Dim





LED Panel Sydney

- NEW: Recessed ceiling frame and surface module kit available as accessory
- Powerful LED panel, ideal for clutter-free ceilings
- Homogenous light distribution, with low glare optics
- Robust full metal housing
- High efficacy up to 108 lm/W
- Suitable for office applications, UGR<19



Specifications

Item Code	Item Description	Equivalent to (W)	Power (W)	Lumen	Efficacy (lm/W)	CCT (K)	Weight (kg/pc)
542008000900	LEDPanelRc-Sy Sq595-35W-3000-WH-U19	TL 4x18W	35	3600	103	3000	3.28
542008001000	LEDPanelRc-Sy Sq595-35W-4000-WH-U19	TL 4x18W	35	3800	108	4000	3.28
542008001100	LEDPanelRc-Sy Re295-35W-3000-WH-U19	TL 2x36W	35	3600	103	3000	3.40
542008001200	LEDPanelRc-Sy Re295-35W-4000-WH-U19	TL 2x36W	35	3800	108	4000	3.40
542008001300	LEDPanelRc-Sy Sq595-35W-DALI-3000-WH-U19	TL 4x18W	35	3600	103	3000	3.32
542008001400	LEDPanelRc-Sy Sq595-35W-DALI-4000-WH-U19	TL 4x18W	35	3800	108	4000	3.32
542008001500	LEDPanelRc-Sy Re295-35W-DALI-3000-WH-U19	TL 2x36W	35	3600	103	3000	3.44
542008001600	LEDPanelRc-Sy Re295-35W-DALI-4000-WH-U19	TL 2x36W	35	3800	108	4000	3.44
542008002100	LEDPanelRc-Sy Sq595-35W-BLE-3000-WH-U19	TL 4x18W	35	3600	103	3000	3.33
542008002200	LEDPanelRc-Sy Sq595-35W-BLE-4000-WH-U19	TL 4x18W	35	3800	108	4000	3.33
542008002300	LEDPanelRc-Sy Re295-35W-BLE-3000-WH-U19	TL 2x36W	35	3600	103	3000	3.45
542008002400	LEDPanelRc-Sy Re295-35W-BLE-4000-WH-U19	TL 2x36W	35	3800	108	4000	3.45
542008001700	LEDPanelRc-Sy Sq595-35W-10V-3000-WH-U19	TL 4x18W	35	3600	103	3000	3.32
542008001800	LEDPanelRc-Sy Sq595-35W-10V-4000-WH-U19	TL 4x18W	35	3800	108	4000	3.32
542008001900	LEDPanelRc-Sy Re295-35W-10V-3000-WH-U19	TL 2x36W	35	3600	103	3000	3.44
542008002000	LEDPanelRc-Sy Re295-35W-10V-4000-WH-U19	TL 2x36W	35	3800	108	4000	3.44

Available on request with 3- or 5- or 3+2 pole Wieland GST18i or Wago WINSTA connector. Emergency lighting available on request. DALI2 versions are compatible with central emergency lighting according to EN 50172. BLE versions are not compatible with surface module accessories. DALI2 driver compatible with 230V push dimming.

Accessories

Surface mounting frame

Recessed mounting frame



140055484
LEDPanelRc-SI Sq600-Surface-Module-WH-CT



140055486
LEDPanelRc-SI Re300-Surface-Module-WH-CT



542098017600
LEDPanelRc2 Sq600-Surface-Kit-WH



542098017700
LEDPanelRc2 Re300-Surface-Kit-WH



542098009600
LEDPanelRc Sq600-Frame-WH



542098009800
LEDPanelRc Re300-Frame-WH



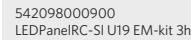
140053150
LEDPanelRc-SI-E Mounting-Springs



140055365
LEDPanel-SI-E-Suspension-Kit



542098000800
LEDPanelRC-SI U19 EM-kit 1h



542098000900
LEDPanelRC-SI U19 EM-kit 3h

Technical Specifications

Lifespan (L70B50)	70,000 h
Lifespan (L80B50)	50,000 h
On-/Off-cycles	100,000
Colour consistency (SDCM)	3
Dimmable	No / Yes (DALI/BLE/1-10V)
Beam angle	80 °
Finishing	White RAL9003
Colour rendering index CRI	≥ 80
UGR	19
Degree of protection (IP)	IP20
Impact strength	IK02
Protection class	II
Risk group	RG0
Control gear included	Yes
Glow wire test	850 °C
Driver failure rate (at 5,000 hrs)	0.5 %
Power factor	≥ 0.9

Electrical Supply

Frequency	50/60 Hz
Nominal voltage	220-240 V AC
DC input voltage	Yes, see Appendix 3

Mechanical Properties

Material housing	Steel
Optical material	Polycarbonate

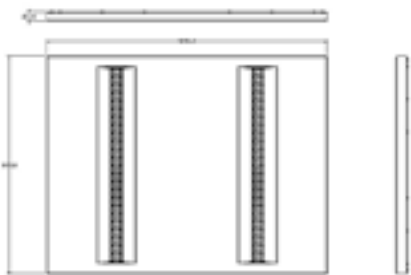
Ambient Conditions

Operating temperature	-10 ~ 40 °C
Application temperature	25 °C
Storage environment	-25 ~ 50 °C

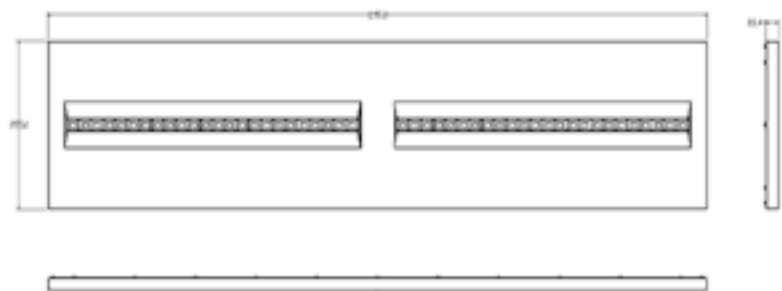


Dimensional Drawing (mm)

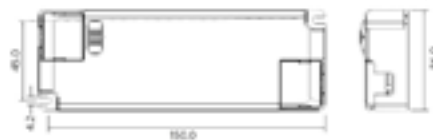
LEDPanelRc-Sy Sq595



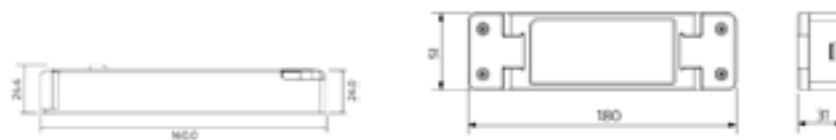
LEDPanelRc-Sy Re295



LEDPanelRc-Sy
Driver On/Off



LEDPanelRc-Sy
Driver Dim



Installation Opening Drawing (mm)

LEDPanelRc-Sy Sq595
580 x 580



LEDPanelRc-Sy Re295
1180 x 280





LED Slim Panel Performer UGR19

- NEW: 4000lm and CRI90 (R9 > 50) versions available
- NEW: Recessed ceiling frame and surface module kit available as accessory
- High quality LED Slim Panel
- High efficacy up to 115 lm/W, suitable for offices (UGR19)
- IP54 version available
- Recessed, suspended and surface mounting possible
- Up to 60% lower energy consumption vs TL



Specifications

	Item Code	Item Description	Equivalent to (W)	Power (W)	Lumen	Efficacy (lm/W)	CCT (K)	Colour rendering index CRI	Weight (kg/pc)
On/ Off	542004012800	LEDPanelRc-S4 Sq595-30W-3000-WH-U19	TL 4x18W	30	3300	110	3000	≥ 80	3.05
	542004012900	LEDPanelRc-S4 Sq595-30W-4000-WH-U19	TL 4x18W	30	3500	115	4000	≥ 80	3.05
	542004049800	LEDPanelRc-S4 Sq595-34W-940-WH-U19	TL 4x18W	34	3400	100	4000	≥ 90	3.81
	542004043900	LEDPanelRc-S4 Sq595-35W-3000-WH-U19	TL 4x18W	35	3800	110	3000	≥ 80	3.05
	542004044000	LEDPanelRc-S4 Sq595-35W-4000-WH-U19	TL 4x18W	35	4000	115	4000	≥ 80	3.05
	542004013000	LEDPanelRc-S4 Re295-30W-3000-WH-U19	TL 2x36W	30	3300	110	3000	≥ 80	3.20
	542004013100	LEDPanelRc-S4 Re295-30W-4000-WH-U19	TL 2x36W	30	3500	115	4000	≥ 80	3.20
	542004044200	LEDPanelRc-S4 Re295-35W-3000-WH-U19	TL 2x36W	35	3800	110	3000	≥ 80	3.20
	542004044300	LEDPanelRc-S4 Re295-35W-4000-WH-U19	TL 2x36W	35	4000	115	4000	≥ 80	3.20
DALI	542004013400	LEDPanelRc-S4 Sq595-30W-DALI-3000-WH-U19	TL 4x18W	30	3300	110	3000	≥ 80	3.05
	542004013500	LEDPanelRc-S4 Sq595-30W-DALI-4000-WH-U19	TL 4x18W	30	3500	115	4000	≥ 80	3.05
	542004050400	LEDPanelRc-S4 Sq595-34W-DALI-940-WH-U19	TL 4x18W	34	3400	100	4000	≥ 90	3.81
	542004044800	LEDPanelRc-S4 Sq595-35W-DALI-3000-WH-U19	TL 4x18W	35	3800	110	3000	≥ 80	3.05
	542004044900	LEDPanelRc-S4 Sq595-35W-DALI-4000-WH-U19	TL 4x18W	35	4000	115	4000	≥ 80	3.05
	542004013600	LEDPanelRc-S4 Re295-30W-DALI-3000-WH-U19	TL 2x36W	30	3300	110	3000	≥ 80	3.20
	542004013700	LEDPanelRc-S4 Re295-30W-DALI-4000-WH-U19	TL 2x36W	30	3500	115	4000	≥ 80	3.20
	542004045100	LEDPanelRc-S4 Re295-35W-DALI-3000-WH-U19	TL 2x36W	35	3800	110	3000	≥ 80	3.20
	542004045200	LEDPanelRc-S4 Re295-35W-DALI-4000-WH-U19	TL 2x36W	35	4000	115	4000	≥ 80	3.20
		140063733	LEDPanelRc-S S595-30W-DALI-4000-U19-IP54	TL 4x18W	30	3500	115	4000	≥ 80
Smart	542004014000	LEDPanelRc-S4 Sq595-30W-BLE-3000-WH-U19	TL 4x18W	30	3300	110	3000	≥ 80	3.05
	542004014100	LEDPanelRc-S4 Sq595-30W-BLE-4000-WH-U19	TL 4x18W	30	3500	115	4000	≥ 80	3.05
	542004051000	LEDPanelRc-S4 Sq595-34W-BLE-940-WH-U19	TL 4x18W	34	3400	100	4000	≥ 90	3.81
	542004045700	LEDPanelRc-S4 Sq595-35W-BLE-3000-WH-U19	TL 4x18W	35	3800	110	3000	≥ 80	3.05
	542004045800	LEDPanelRc-S4 Sq595-35W-BLE-4000-WH-U19	TL 4x18W	35	4000	115	4000	≥ 80	3.05
	542004014200	LEDPanelRc-S4 Re295-30W-BLE-3000-WH-U19	TL 2x36W	30	3300	110	3000	≥ 80	3.20
	542004014300	LEDPanelRc-S4 Re295-30W-BLE-4000-WH-U19	TL 2x36W	30	3500	115	4000	≥ 80	3.20
	542004046000	LEDPanelRc-S4 Re295-35W-BLE-3000-WH-U19	TL 2x36W	35	3800	110	3000	≥ 80	3.20
	542004046100	LEDPanelRc-S4 Re295-35W-BLE-4000-WH-U19	TL 2x36W	35	4000	115	4000	≥ 80	3.20

Item Code	Item Description	Equivalent to (W)	Power (W)	Lumen	Efficacy (lm/W)	CCT (K)	Colour rendering index CRI	Weight (kg/pc)
542004014600	LEDPanelRc-S4 Sq595-30W-10V-3000-WH-U19	TL 4x18W	30	3300	110	3000	≥ 80	3.05
542004014700	LEDPanelRc-S4 Sq595-30W-10V-4000-WH-U19	TL 4x18W	30	3500	115	4000	≥ 80	3.05
542004051600	LEDPanelRc-S4 Sq595-34W-10V-940-WH-U19	TL 4x18W	34	3400	100	4000	≥ 90	3.81
542004046600	LEDPanelRc-S4 Sq595-35W-10V-3000-WH-U19	TL 4x18W	35	3800	110	3000	≥ 80	3.05
542004046700	LEDPanelRc-S4 Sq595-35W-10V-4000-WH-U19	TL 4x18W	35	4000	115	4000	≥ 80	3.05
542004014800	LEDPanelRc-S4 Re295-30W-10V-3000-WH-U19	TL 2x36W	30	3300	110	3000	≥ 80	3.20
542004014900	LEDPanelRc-S4 Re295-30W-10V-4000-WH-U19	TL 2x36W	30	3500	115	4000	≥ 80	3.20
542004046900	LEDPanelRc-S4 Re295-35W-10V-3000-WH-U19	TL 2x36W	35	3800	110	3000	≥ 80	3.20
542004047000	LEDPanelRc-S4 Re295-35W-10V-4000-WH-U19	TL 2x36W	35	4000	115	4000	≥ 80	3.20
542004001300	LEDPanelRc-S S595-30W-10V-4000-U19-IP54	TL 4x18W	30	3500	115	4000	≥ 80	3.81

Available on request with 3- or 5- or 3+2 pole Wieland GST18i or Wago WINSTA connector. Emergency lighting available on request. DALI2 versions are compatible with central emergency lighting according to EN 50172. BLE versions are not compatible with surface module accessories. DALI2 driver compatible with 230V push dimming.

Accessories

Surface mounting frame

Recessed mounting frame



Technical Specifications

Lifespan (L70B50)	70,000 h
Lifespan (L80B50)	50,000 h
On-/Off-cycles	100,000
Colour consistency (SDCM)	3
Dimmable	No / Yes (DALI/BLE/1-10V)
Beam angle	85 °
Finishing	White RAL9003
UGR	19
Degree of protection (IP)	IP20 / IP54
Impact strength	IK02
Protection class	II
Risk group	RG0
Control gear included	Yes
Glow wire test	650 °C
Driver failure rate (at 5,000 hrs)	1 %
Power factor	≥ 0.9

Electrical Supply

Frequency	50/60 Hz
Nominal voltage	220-240 V AC
DC input voltage	Yes, see Appendix 3

Mechanical Properties

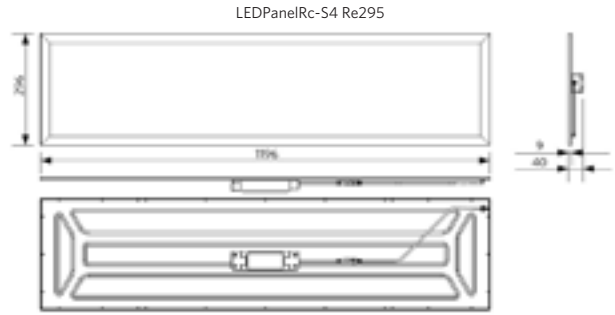
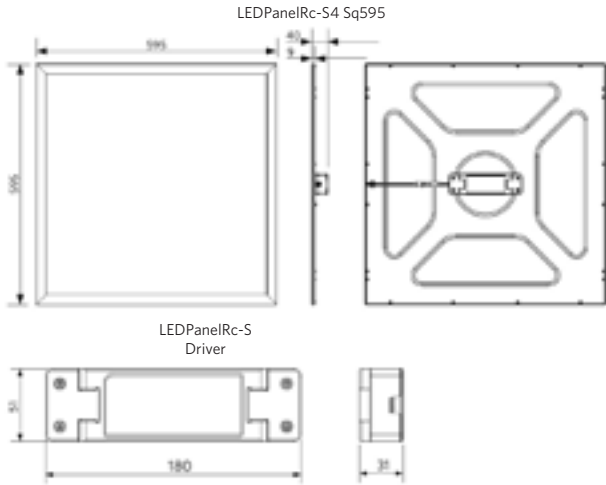
Material housing	Aluminium
Optical material	PMMA
Cover material	Polystyrene

Ambient Conditions

Operating temperature	-25 ~ 40 °C
Application temperature	25 °C
Storage environment	-25 ~ 50 °C



Dimensional Drawing (mm)



Installation Opening Drawing (mm)

LEDPanelRc-S4 Sq595
580 x 580



LEDPanelRc-S4 Re295
1180 x 280







LED Slim Panel EcoMax UGR22

- NEW: Recessed ceiling frame and surface module kit available as accessory
- High quality LED Slim Panel
- Up to 55% lower energy consumption vs TL
- Suspension kit and ceiling clip accessories available



Specifications

Item Code	Item Description	Equivalent to (W)	Power (W)	Lumen	Efficacy (lm/W)	CCT (K)	Weight (kg/pc)
140062700	LEDPanelRc-S-E2 Sq595-34W-3000-WH-U22	TL 4x18W	34	3500	105	3000	3.20
140062701	LEDPanelRc-S-E2 Sq595-34W-4000-WH-U22	TL 4x18W	34	3500	105	4000	3.20
140062706	LEDPanelRc-S-E2 Re295-34W-3000-WH-U22	TL 2x36W	34	3500	105	3000	3.20
140062707	LEDPanelRc-S-E2 Re295-34W-4000-WH-U22	TL 2x36W	34	3500	105	4000	3.20

Available on request with 3- pole Wieland GST18i of Wago WINSTA connector.

Accessories

Surface mounting frame

Recessed mounting frame



140055484
LEDPanelRc-SI Sq600-Surface-Module-WH-CT



140055486
LEDPanelRc-SI Re300-Surface-Module-WH-CT



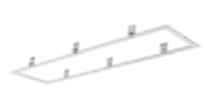
542098017600
LEDPanelRc2 Sq600-Surface-Kit-WH



542098017700
LEDPanelRc2 Re300-Surface-Kit-WH



542098009600
LEDPanelRc Sq600-Frame-WH



542098009800
LEDPanelRc Re300-Frame-WH



140053150
LEDPanelRc-SI-E Mounting-Springs



140055365
LEDPanel-SI-E-Suspension-Kit



542098000800
LEDPanelRC-SI U19 EM-kit 1h
542098000900
LEDPanelRC-SI U19 EM-kit 3h

Technical Specifications

Lifespan (L70B50)	50,000 h
Lifespan (L80B50)	30,000 h
On-/Off-cycles	100,000
Colour consistency (SDCM)	4
Dimmable	No
Beam angle	120 °
Finishing	White RAL9003
Colour rendering index CRI	≥ 80
UGR	22
Degree of protection (IP)	IP20
Impact strength	IK02
Protection class	II
Risk group	RG0
Control gear included	Yes
Glow wire test	650 °C
Driver failure rate (at 5,000 hrs)	1 %
Power factor	≥ 0.9

Electrical Supply

Frequency	50/60 Hz
Nominal voltage	220-240 V AC
DC input voltage	Yes, see Appendix 3

Mechanical Properties

Material housing	Aluminium
Optical material	Polystyrene
Cover material	Polycarbonate (PC)

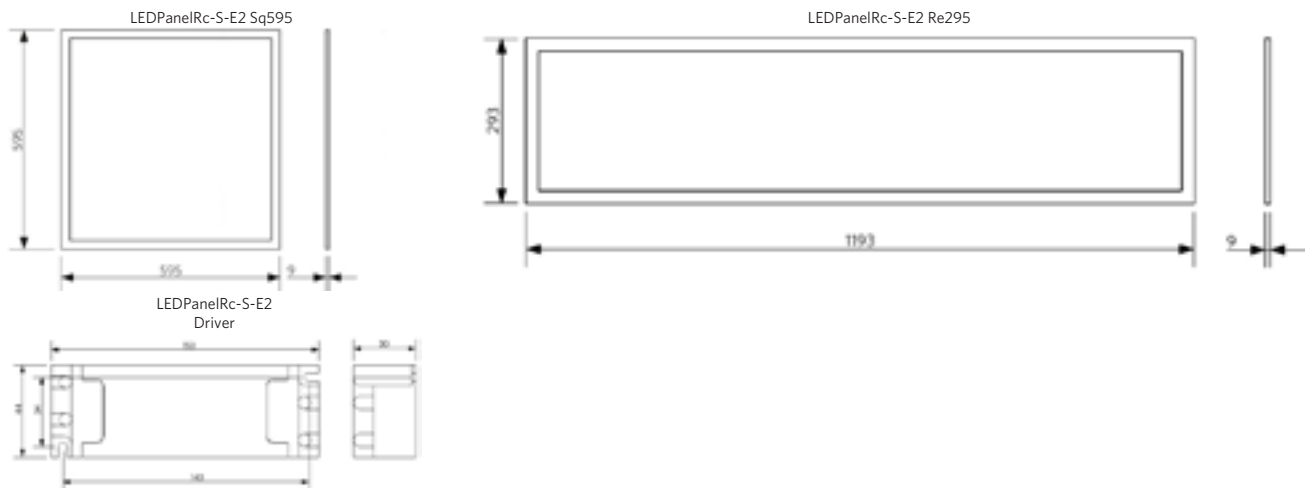
Ambient Conditions

Operating temperature	-10 ~ 40 °C
Application temperature	25 °C
Storage environment	-25 ~ 50 °C

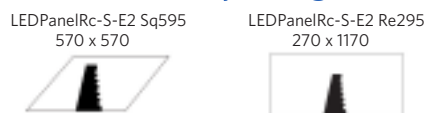


INDOOR

Dimensional Drawing (mm)



Installation Opening Drawing (mm)





LED Slim Panel Basic G2


- Cost effective LED Slim Panel
- Improved efficiency of 97 Lm/w
- Recessed ceiling frame and surface module kit available as accessory
- Suitable for recessed and suspended applications
- Replacement for conventional 4x18W luminaire
- Energy saving up to 55%
- Comfortable and uniform light available in UGR22 and UGR19



Specifications

Item Code	Item Description	Equivalent to (W)	Power (W)	Lumen	Efficacy (lm/W)	UGR	CCT (K)	Beam angle	Weight (kg/pc)
542003021200	LEDPanelRc-S-B2 Sq595-36W-3000-WH-U19	TL 4x18W	36	3500	97	19	3000	90 °	2.10
542003021400	LEDPanelRc-S-B2 Sq595-36W-4000-WH-U19	TL 4x18W	36	3500	97	19	4000	90 °	2.10
542003021100	LEDPanelRc-S-B2 Sq595-36W-3000-WH	TL 4x18W	36	3500	97	22	3000	120 °	1.68
542003021300	LEDPanelRc-S-B2 Sq595-36W-4000-WH	TL 4x18W	36	3500	97	22	4000	120 °	1.68

Accessories

Surface mounting frame	Recessed mounting frame		
			
<p>542098017600 LEDPanelRc2 Sq600-Surface-Kit-WH</p>	<p>542098009600 LEDPanelRc Sq600-Frame-WH</p>	<p>542003021800 LEDPanelRc-S-B2 Mounting-Springs</p>	<p>542003021700 LEDPanelRc-S-B2 Suspension-Kit</p>

Technical Specifications

Lifespan (L70B50)	50,000 h
Lifespan (L80B50)	30,000 h
On-/Off-cycles	100,000
Colour consistency (SDCM)	5
Dimmable	No
Finishing	White RAL9003
Colour rendering index CRI	≥ 80
Degree of protection (IP)	IP20
Impact strength	IK02
Protection class	II
Risk group	RG0
Control gear included	Yes
Glow wire test	650 °C
Driver failure rate (at 5,000 hrs)	1 %
Power factor	≥ 0.9

Electrical Supply

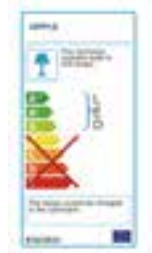
Frequency	50/60 Hz
Nominal voltage	220-240 V AC
DC input voltage	Yes, see Appendix 3

Mechanical Properties

Material housing	Aluminium
Optical material	Polystyrene
Cover material	Polystyrene

Ambient Conditions

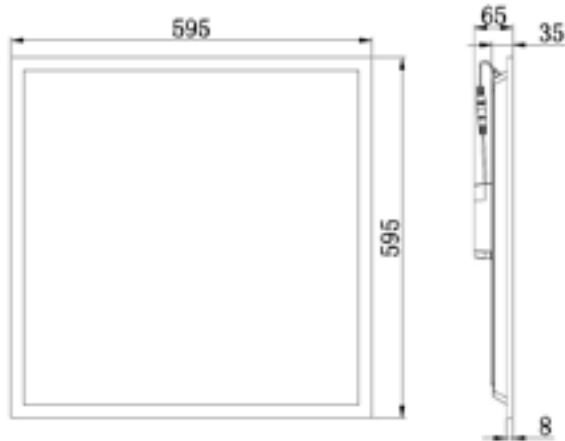
Operating temperature	-10 ~ 45 °C
Application temperature	25 °C
Storage environment	-25 ~ 50 °C



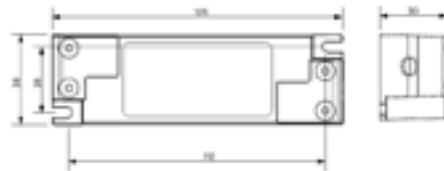
INDOOR

Dimensional Drawing (mm)

LEDPanelRc-S-B2 Sq595-36W



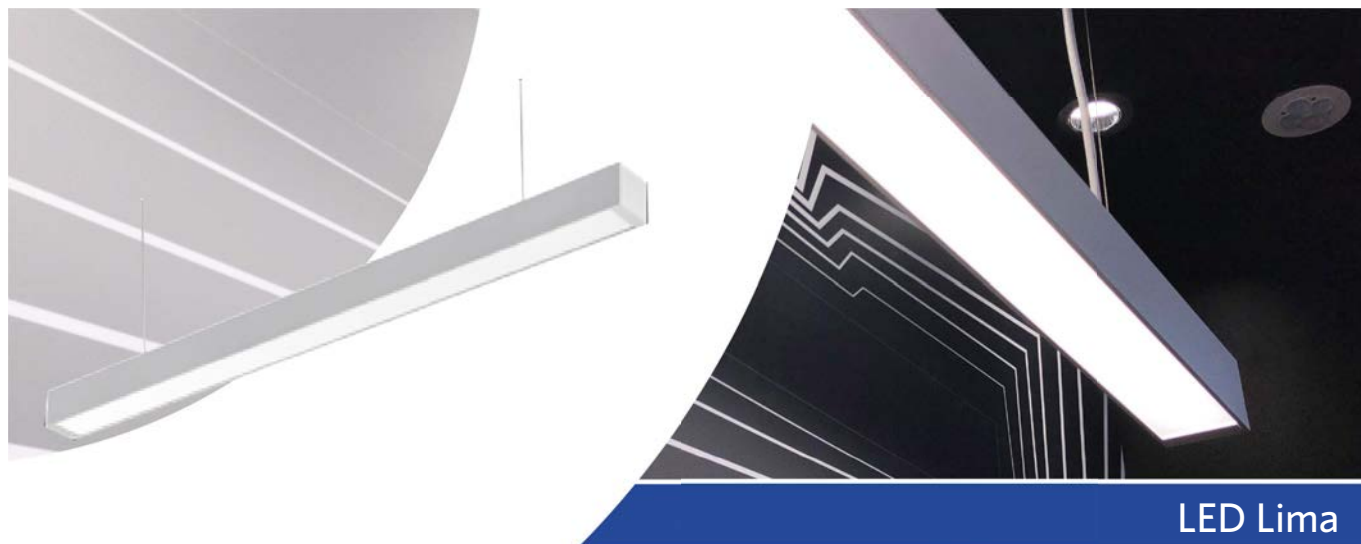
LEDPanelRc-S-B2 Driver



Installation Opening Drawing (mm)

LEDPanelRc-S-B2 Sq595
585 x 585





LED Lima

- Stylish linear luminaire suitable for surface mounting and suspended use
- Suitable for use in office
- Available in 1200 & 1500mm length
- Suspension kit including transparent cable as accessory
- Connection kit accessory to create continuous lines available
- DALI or Smart Lighting (BLE) dimmable



Specifications

Item Code	Item Description	Equivalent to (W)	Power (W)	Lumen	Efficacy (lm/W)	UGR	CCT (K)	Weight (kg/pc)
542005000500	LEDLima L12-15W-3000-U19-DALI	TL 1x28W	15	1725	110	19	3000	2.55
542005000600	LEDLima L12-15W-4000-U19-DALI	TL 1x28W	15	1800	115	19	4000	2.55
542005000700	LEDLima L15-18W-3000-U19-DALI	TL 1x35W	18	2070	110	19	3000	3.08
542005000800	LEDLima L15-18W-4000-U19-DALI	TL 1x35W	18	2160	115	19	4000	3.08
542005001300	LEDLima L12-30W-3000-DALI	TL 1x54W	30	3300	110	22	3000	2.55
542005001400	LEDLima L12-30W-4000-DALI	TL 1x54W	30	3450	115	22	4000	2.55
542005001500	LEDLima L15-36W-3000-DALI	TL 1x80W	36	3960	110	22	3000	3.08
542005001600	LEDLima L15-36W-4000-DALI	TL 1x80W	36	4140	115	22	4000	3.08
542005004900	LEDLima L12-15W-3000-U19-BLE	TL 1x28W	15	1725	110	19	3000	2.55
542005004800	LEDLima L12-15W-4000-U19-BLE	TL 1x28W	15	1800	115	19	4000	2.55
542005004700	LEDLima L15-18W-3000-U19-BLE	TL 1x35W	18	2070	110	19	3000	3.08
542005004600	LEDLima L15-18W-4000-U19-BLE	TL 1x35W	18	2160	115	19	4000	3.08
542005004500	LEDLima L12-30W-3000-BLE	TL 1x54W	30	3300	110	22	3000	2.55
542005004400	LEDLima L12-30W-4000-BLE	TL 1x54W	30	3450	115	22	4000	2.55
542005004300	LEDLima L15-36W-3000-BLE	TL 1x80W	36	3960	110	22	3000	3.08
542005004200	LEDLima L15-36W-4000-BLE	TL 1x80W	36	4140	115	22	4000	3.08

Emergency lighting available on request.

Accessories



599006009000
LEDLima Suspension-Kit



599006008900
LEDLima Connection-Kit

Technical Specifications

Lifespan (L70B50)	70,000 h
Lifespan (L80B50)	50,000 h
On-/Off-cycles	100,000
Dimmable	Yes (DALI/BLE)
Beam angle	70 °
Finishing	Aluminum
Colour rendering index CRI	≥ 80
Degree of protection (IP)	IP20
Impact strength	IK02
Protection class	I
Risk group	RG0
Control gear included	Yes
Glow wire test	650 °C
Driver failure rate (at 5,000 hrs)	1 %
Power factor	≥ 0.9

Electrical Supply

Frequency	50/60 Hz
Nominal voltage	220-240 V AC
DC input voltage	Yes, see Appendix 3

Mechanical Properties

Material housing	Aluminium
Optical material	Polycarbonate

Ambient Conditions

Operating temperature	-10 ~ 45 °C
Application temperature	25 °C
Storage environment	-25 ~ 50 °C



INDOOR

Dimensional Drawing (mm)

LEDLima L12



LEDLima L15





LED Panel Suspended Zenith

- Special design luminaire distributes light both up and down, combining comfort and efficiency
- High lumen output and high efficacy up to 105 lm/W
- Light up your offices and meeting rooms in an architectural way
- Save up to 50% energy compared to fluorescent solutions
- DALI and Smart Lighting (BLE) versions available



Specifications

Item Code	Item Description	Equivalent to (W)	Power (W)	Lumen	Efficacy (lm/W)	CCT (K)	Weight (kg/pc)
140054053	LEDPanelSp-Z L1222-75W-DALI-3000-AL	TL 2x58W	75	7875	105	3000	3.90
140054054	LEDPanelSp-Z L1222-75W-DALI-4000-AL	TL 2x58W	75	7875	105	4000	3.90
542006001000	LEDPanelSp-Z L1222-75W-BLE-3000-AL	TL 2x58W	75	7875	105	3000	3.90
542006000900	LEDPanelSp-Z L1222-75W-BLE-4000-AL	TL 2x58W	75	7875	105	4000	3.90

All codes include the required suspension kit. Suspension length 2.5m.
Available on Request with 5- or 2+3 pole Wieland GST18i connector.

Technical Specifications

Lifespan (L70B50)	60,000 h
Lifespan (L80B50)	40,000 h
On-/Off-cycles	100,000
Colour consistency (SDCM)	3
Dimmable	Yes (DALI)
Beam angle	112° up (50%) + down (50%)
Finishing	Aluminium
Colour rendering index CRI	≥ 80
UGR	19
Degree of protection (IP)	IP20
Impact strength	IK02
Protection class	II
Risk group	RG0
Control gear included	Yes
Glow wire test	650 °C
Driver failure rate (at 5,000 hrs)	1 %
Power factor	≥ 0.9

Electrical Supply

Frequency	50/60 Hz
Nominal voltage	220-240 V AC
DC input voltage	Yes, see Appendix 3

Mechanical Properties

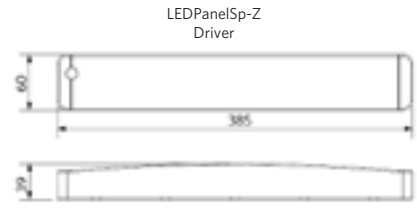
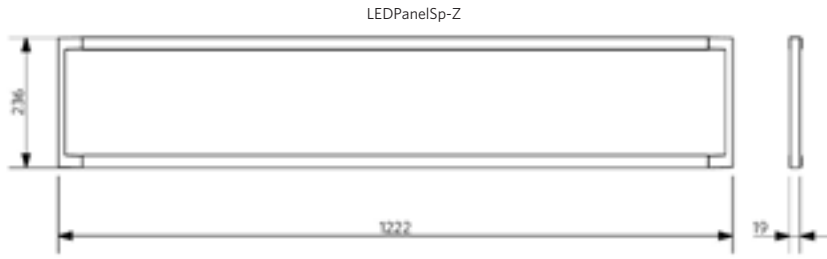
Material housing	Aluminium
Optical material	PMMA
Cover material	Semi-opaque PMMA

Ambient Conditions

Operating temperature	-20 ~ 45 °C
Application temperature	25 °C
Storage environment	-25 ~ 50 °C



Dimensional Drawing (mm)



INDOOR





LED Downlight Performer HG

- NEW: Also available in CRI90 (R9 > 50)
- Advanced high quality LED downlight
- Unique optical lens concept with high gloss (HG) reflector and low glare
- Low luminaire height (max 73mm)
- Direct replacement for compact fluorescent downlights - saving over 60% of energy costs
- IP44 (light output side)
- Common cut-out diameters of 150mm and 200mm
- Provided with protective foil in order to protect the optics against dust and dirt during the installation



Specifications

	Item Code	Item Description	Equivalent to (W)	Power (W)	Lumen	Efficacy (lm/W)	UGR	CCT (K)	Colour rendering index CRI	Weight (kg/pc)
On/ Off	140057154	LEDDownlightRc-P-HG R150-11.5W-3000	CFL 1x18W	11.5	1240	108	19	3000	≥ 80	0.45
	140057155	LEDDownlightRc-P-HG R150-11.5W-4000	CFL 1x18W	11.5	1265	110	19	4000	≥ 80	0.45
	140057152	LEDDownlightRc-P-HG R200-15W-3000	CFL 1x26W	15	1620	108	19	3000	≥ 80	0.76
	140057153	LEDDownlightRc-P-HG R200-15W-4000	CFL 1x26W	15	1650	110	19	4000	≥ 80	0.76
	540001083800	LEDDownlightRc-P-HG R200-15W-940	CFL 1x26W	11.5	1650	110	19	4000	≥ 90	0.76
	140057156	LEDDownlightRc-P-HG R200-23W-3000	CFL 2x26W	23	2480	108	19	3000	≥ 80	0.76
	140057157	LEDDownlightRc-P-HG R200-23W-4000	CFL 2x26W	23	2530	110	19	4000	≥ 80	0.76
	540001084000	LEDDownlightRc-P-HG R200-23W-940	CFL 2x26W	11.5	2530	110	19	4000	≥ 90	0.76
	140057158	LEDDownlightRc-P-HG R200-33W-3000	CFL 2x32W	33	3560	108	22	3000	≥ 80	0.76
	140057159	LEDDownlightRc-P-HG R200-33W-4000	CFL 2x32W	33	3630	110	22	4000	≥ 80	0.76
DALI	140057162	LEDDownlightRc-P-HG R150-11.5W-DALI-3000	CFL 1x18W	11.5	1240	108	19	3000	≥ 80	0.45
	140057163	LEDDownlightRc-P-HG R150-11.5W-DALI-4000	CFL 1x18W	11.5	1265	110	19	4000	≥ 80	0.45
	140057160	LEDDownlightRc-P-HG R200-15W-DALI-3000	CFL 1x26W	15	1620	108	19	3000	≥ 80	0.76
	140057161	LEDDownlightRc-P-HG R200-15W-DALI-4000	CFL 1x26W	15	1650	110	19	4000	≥ 80	0.76
	540001084600	LEDDownlightRc-P-HG R200-15W-DALI-940	CFL 1x26W	11.5	1650	110	19	4000	≥ 90	0.76
	140057164	LEDDownlightRc-P-HG R200-23W-DALI-3000	CFL 2x26W	23	2480	108	19	3000	≥ 80	0.76
	140057165	LEDDownlightRc-P-HG R200-23W-DALI-4000	CFL 2x26W	23	2530	110	19	4000	≥ 80	0.76
	540001084800	LEDDownlightRc-P-HG R200-23W-DALI-940	CFL 2x26W	11.5	2530	110	19	4000	≥ 90	0.76
	140057166	LEDDownlightRc-P-HG R200-33W-DALI-3000	CFL 2x32W	33	3560	108	22	3000	≥ 80	0.76
	140057167	LEDDownlightRc-P-HG R200-33W-DALI-4000	CFL 2x32W	33	3630	110	22	4000	≥ 80	0.76

Item Code	Item Description	Equivalent to (W)	Power (W)	Lumen	Efficacy (lm/W)	UGR	CCT (K)	Colour rendering index CRI	Weight (kg/pc)
140063611	LEDDownlightRc-P-HG R150-11.5W-BLE-3000	CFL 1x18W	11.5	1240	108	19	3000	≥ 80	0.51
140063612	LEDDownlightRc-P-HG R150-11.5W-BLE-4000	CFL 1x18W	11.5	1265	110	19	4000	≥ 80	0.51
140063613	LEDDownlightRc-P-HG R200-15W-BLE-3000	CFL 1x26W	15	1620	108	19	3000	≥ 80	0.83
140063614	LEDDownlightRc-P-HG R200-15W-BLE-4000	CFL 1x26W	15	1650	110	19	4000	≥ 80	0.83
540001085400	LEDDownlightRc-P-HG R200-15W-BLE-940	CFL 1x26W	11.5	1650	110	19	4000	≥ 90	0.83
140063615	LEDDownlightRc-P-HG R200-23W-BLE-3000	CFL 2x26W	23	2480	108	19	3000	≥ 80	0.83
140063616	LEDDownlightRc-P-HG R200-23W-BLE-4000	CFL 2x26W	23	2530	110	19	4000	≥ 80	0.83
540001085600	LEDDownlightRc-P-HG R200-23W-BLE-940	CFL 2x26W	11.5	2530	110	19	4000	≥ 90	0.83
140063617	LEDDownlightRc-P-HG R200-33W-BLE-3000	CFL 2x32W	33	3560	108	22	3000	≥ 80	0.83
140063618	LEDDownlightRc-P-HG R200-33W-BLE-4000	CFL 2x32W	33	3630	110	22	4000	≥ 80	0.83

Available on request with 3- or 5- or 3+2 pole Wieland GST18i or Wago WINSTA connector. BLE versions are not compatible with surface module accessories.

Accessories



140060646
LEDDownlightRc-P-HZ-Adapter-150-175



140061242
LEDDownlightRc-P-R150-Surface-Module-WH



549098001400
LEDDownlightRc-P EM-kit 3h

140060647
LEDDownlightRc-P-SI-E-Adapter-200-225

140061243
LEDDownlightRc-P-R200-Surface-Module-WH

549098001300
LEDDownlightRc-P EM-kit 1h

140060648
LEDDownlightRc-P-SI-E-Adapter-200-250

For adapter ring dimensional drawings see LED Downlight Slim EcoMax.

Technical Specifications

Lifespan (L70B50)	60,000 h
Lifespan (L80B50)	40,000 h
On-/Off-cycles	100,000
Colour consistency (SDCM)	3
Dimmable	No / Yes (DALI/BLE)
Beam angle	70 °
Finishing	White RAL9003
Degree of protection (IP)	IP44
IP recessed part	IP20
Impact strength	IK02
Protection class	II
Risk group	RG0 / RG1 (23W & 33W)
Control gear included	Yes
Glow wire test	650 °C
Driver failure rate (at 5,000 hrs)	1 %
Power factor	≥ 0.9

Electrical Supply

Frequency	50/60 Hz
Nominal voltage	220-240 V AC
DC input voltage	Yes, see Appendix 3

Mechanical Properties

Material housing	Die-casted Aluminum
Optical material	Aluminum coated PC

Ambient Conditions

Operating temperature	-10 ~ 40 °C
Application temperature	25 °C
Storage environment	-25 ~ 50 °C



Dimensional Drawing (mm)

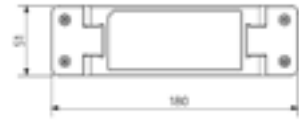
LEDDownlightRc-P-HG R150



LEDDownlightRc-P-HG R200



LEDDownlight Driver



LEDDownlightRc-P-R150-Surface-Module



LEDDownlightRc-P-R200-Surface-Module



Installation Opening Drawing (mm)

LEDDownlightRc-P-HG R150
Ø150



LEDDownlightRc-P-HG R200
Ø200







LED Downlight Performer MW

- NEW: Also available in CRI90 (R9 > 50)
- Advanced high quality LED downlight
- Unique optical lens concept with matte white reflector and low glare
- Low luminaire height (max 73mm)
- Direct replacement for compact fluorescent downlights - saving over 60% of energy costs
- IP44 (light output side)
- Common cut-out diameters of 150mm and 200mm
- Provided with protective foil in order to protect the optics against dust and dirt during the installation



Specifications

	Item Code	Item Description	Equivalent to (W)	Power (W)	Lumen	Efficacy (lm/W)	UGR	CCT (K)	Colour rendering index CRI	Weight (kg/pc)
On/ Off	140057170	LEDDownlightRc-P-MW R150-11.5W-3000	CFL 1x18W	11.5	1240	108	22	3000	≥ 80	0.45
	140057171	LEDDownlightRc-P-MW R150-11.5W-4000	CFL 1x18W	11.5	1265	110	22	4000	≥ 80	0.45
	140057168	LEDDownlightRc-P-MW R200-15W-3000	CFL 1x26W	15	1620	108	19	3000	≥ 80	0.76
	140057169	LEDDownlightRc-P-MW R200-15W-4000	CFL 1x26W	15	1650	110	19	4000	≥ 80	0.76
	540001086200	LEDDownlightRc-P-MW R200-15W-940	CFL 1x26W	11.5	1650	110	19	4000	≥ 90	0.76
	140057172	LEDDownlightRc-P-MW R200-23W-3000	CFL 2x26W	23	2480	108	22	3000	≥ 80	0.76
	140057173	LEDDownlightRc-P-MW R200-23W-4000	CFL 2x26W	23	2530	110	22	4000	≥ 80	0.76
	540001086400	LEDDownlightRc-P-MW R200-23W-940	CFL 2x26W	11.5	2530	110	19	4000	≥ 90	0.76
	140057174	LEDDownlightRc-P-MW R200-33W-3000	CFL 2x32W	33	3560	108	22	3000	≥ 80	0.76
	140057175	LEDDownlightRc-P-MW R200-33W-4000	CFL 2x32W	33	3630	110	22	4000	≥ 80	0.76
DALI	140057178	LEDDownlightRc-P-MW R150-11.5W-DALI-3000	CFL 1x18W	11.5	1240	108	22	3000	≥ 80	0.45
	140057179	LEDDownlightRc-P-MW R150-11.5W-DALI-4000	CFL 1x18W	11.5	1265	110	22	4000	≥ 80	0.45
	140057176	LEDDownlightRc-P-MW R200-15W-DALI-3000	CFL 1x26W	15	1620	108	19	3000	≥ 80	0.76
	140057177	LEDDownlightRc-P-MW R200-15W-DALI-4000	CFL 1x26W	15	1650	110	19	4000	≥ 80	0.76
	540001087000	LEDDownlightRc-P-MW R200-15W-DALI-940	CFL 1x26W	11.5	1650	110	19	4000	≥ 90	0.76
	140057180	LEDDownlightRc-P-MW R200-23W-DALI-3000	CFL 2x26W	23	2480	108	22	3000	≥ 80	0.76
	140057181	LEDDownlightRc-P-MW R200-23W-DALI-4000	CFL 2x26W	23	2530	110	22	4000	≥ 80	0.76
	540001087200	LEDDownlightRc-P-MW R200-23W-DALI-940	CFL 2x26W	11.5	2530	110	19	4000	≥ 90	0.76
	140057182	LEDDownlightRc-P-MW R200-33W-DALI-3000	CFL 2x32W	33	3560	108	22	3000	≥ 80	0.76
	140057183	LEDDownlightRc-P-MW R200-33W-DALI-4000	CFL 2x32W	33	3630	110	22	4000	≥ 80	0.76

Item Code	Item Description	Equivalent to (W)	Power (W)	Lumen	Efficacy (lm/W)	UGR	CCT (K)	Colour rendering index CRI	Weight (kg/pc)
140063619	LEDDownlightRc-P-MW R150-11.5W-BLE-3000	CFL 1x18W	11.5	1240	108	22	3000	≥ 80	0.51
140063620	LEDDownlightRc-P-MW R150-11.5W-BLE-4000	CFL 1x18W	11.5	1265	110	22	4000	≥ 80	0.51
140063621	LEDDownlightRc-P-MW R200-15W-BLE-3000	CFL 1x26W	15	1620	108	19	3000	≥ 80	0.83
140063622	LEDDownlightRc-P-MW R200-15W-BLE-4000	CFL 1x26W	15	1650	110	19	4000	≥ 80	0.83
540001087800	LEDDownlightRc-P-MW R200-15W-BLE-940	CFL 1x26W	11.5	1650	110	19	4000	≥ 90	0.83
140063623	LEDDownlightRc-P-MW R200-23W-BLE-3000	CFL 2x26W	23	2480	108	22	3000	≥ 80	0.83
140063624	LEDDownlightRc-P-MW R200-23W-BLE-4000	CFL 2x26W	23	2530	110	22	4000	≥ 80	0.83
540001088000	LEDDownlightRc-P-MW R200-23W-BLE-940	CFL 2x26W	11.5	2530	110	19	4000	≥ 90	0.83
140063625	LEDDownlightRc-P-MW R200-33W-BLE-3000	CFL 2x32W	33	3560	108	22	3000	≥ 80	0.83
140063626	LEDDownlightRc-P-MW R200-33W-BLE-4000	CFL 2x32W	33	3630	110	22	4000	≥ 80	0.83

Available on request with 3- or 5- or 3+2 pole Wieland GST18i or Wago WINSTA connector. BLE versions are not compatible with surface module accessories.

Accessories



140060646
LEDDownlightRc-P-HZ-Adapter-150-175



140061242
LEDDownlightRc-P-R150-Surface-Module-WH



549098001400
LEDDownlightRc-P EM-kit 3h

140060647
LEDDownlightRc-P-SI-E-Adapter-200-225

140061243
LEDDownlightRc-P-R200-Surface-Module-WH

549098001300
LEDDownlightRc-P EM-kit 1h

140060648
LEDDownlightRc-P-SI-E-Adapter-200-250

For adapter ring dimensional drawings see LED Downlight Slim EcoMax.

Technical Specifications

Lifespan (L70B50)	60,000 h
Lifespan (L80B50)	40,000 h
On-/Off-cycles	100,000
Colour consistency (SDCM)	3
Dimmable	No / Yes (DALI/BLE)
Beam angle	70 °
Finishing	White RAL9003
Degree of protection (IP)	IP44
IP recessed part	IP20
Impact strength	IK02
Protection class	II
Risk group	RG0 / RG1 (23W & 33W)
Control gear included	Yes
Glow wire test	650 °C
Driver failure rate (at 5,000 hrs)	1 %
Power factor	≥ 0.9

Electrical Supply

Frequency	50/60 Hz
Nominal voltage	220-240 V AC
DC input voltage	Yes, see Appendix 3

Mechanical Properties

Material housing	Die-casted Aluminum
Optical material	Polycarbonate

Ambient Conditions

Operating temperature	-10 ~ 40 °C
Application temperature	25 °C
Storage environment	-25 ~ 50 °C



Dimensional Drawing (mm)

LEDDownlightRc-P-MW R150



LEDDownlightRc-P-MW R200



LEDDownlight Driver



LEDDownlightRc-P-R150-Surface-Module



LEDDownlightRc-P-R200-Surface-Module



Installation Opening Drawing (mm)

LEDDownlightRc-P-MW R150
Ø150



LEDDownlightRc-P-MW R200
Ø200







LED Downlight HZ^{DIM}

- Compact dimmable LED downlight
- Easy switching from CFL to LED – even when dimming is needed
- Integrated driver for easier installation
- High system efficacy up to 94 lm/W
- IP44 (light output side)



Specifications

Item Code	Item Description	Equivalent to (W)	Power (W)	Lumen	Efficacy (lm/W)	CCT (K)	Weight (kg/pc)
140051474	LEDDownlightRc-HZ R125-7W-Dim-3000-WH	CFL 1x13W	7	600	86	3000	0.17
140051475	LEDDownlightRc-HZ R125-7W-Dim-4000-WH	CFL 1x13W	7	600	86	4000	0.17
140051476	LEDDownlightRc-HZ R150-10W-Dim-3000-WH	CFL 1x18W	10	900	90	3000	0.25
140051477	LEDDownlightRc-HZ R150-10W-Dim-4000-WH	CFL 1x18W	10	900	90	4000	0.25
140051478	LEDDownlightRc-HZ R175-13W-Dim-3000-WH	CFL 1x26W	13	1200	92	3000	0.32
140051479	LEDDownlightRc-HZ R175-13W-Dim-4000-WH	CFL 1x26W	13	1200	92	4000	0.32
140051480	LEDDownlightRc-HZ R200-16W-Dim-3000-WH	CFL 1x26W	16	1500	94	3000	0.37
140051481	LEDDownlightRc-HZ R200-16W-Dim-4000-WH	CFL 1x26W	16	1500	94	4000	0.37

Available on request with 3- pole Wieland GST18i connector. See appendix for dimmer compatibility list.

Accessories



140060650
LEDDownlightRc-HZdim-Adapter-125-150

140060646
LEDDownlightRc-P-HZ-Adapter-150-175

140060651
LEDDownlightRc-HZdim-Adapter-175-200



140060649
LEDDownlightRc-HZdim-Adapter-200-250

140060652
LEDDownlightRc-HZdim-Adapter-200-225

For adapter ring dimensional drawings see LED Downlight Slim EcoMax.

Technical Specifications

Lifespan (L70B50)	50,000 h
Lifespan (L80B50)	30,000 h
On-/Off-cycles	100,000
Colour consistency (SDCM)	4
Dimmable	Yes (Triac)
Beam angle	110 °
Finishing	White RAL9003
Colour rendering index CRI	≥ 80
Degree of protection (IP)	IP44
IP recessed part	IP20
Impact strength	IK02
Protection class	II
Risk group	RG0
Control gear included	Yes
Glow wire test	650 °C
Driver failure rate (at 5,000 hrs)	1 %
Power factor	≥ 0.9

Electrical Supply

Frequency	50/60 Hz
Nominal voltage	220-240 V AC
DC input voltage	Yes, see Appendix 3

Mechanical Properties

Material housing	Aluminum + Polycarbonate
Optical material	Polycarbonate

Ambient Conditions

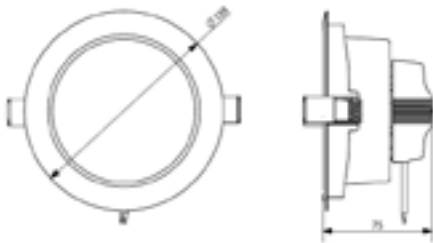
Operating temperature	-10 ~ 40 °C
Application temperature	25 °C
Storage environment	-25 ~ 50 °C



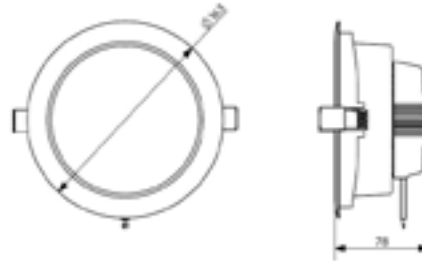
INDOOR

Dimensional Drawing (mm)

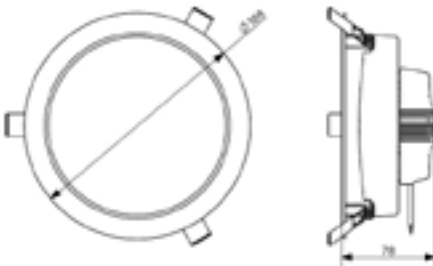
LEDDownlightRc-HZ R125



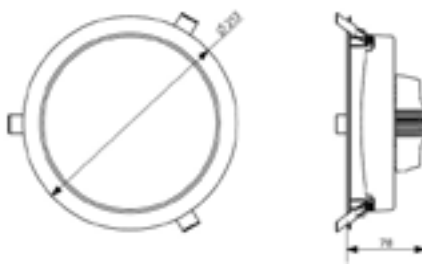
LEDDownlightRc-HZ R150



LEDDownlightRc-HZ R175



LEDDownlightRc-HZ R200



Installation Opening Drawing (mm)

LEDDownlightRc-HZ R125
Ø125



LEDDownlightRc-HZ R150
Ø150



LEDDownlightRc-HZ R175
Ø175



LEDDownlightRc-HZ R200
Ø200





LED Downlight Slim EcoMax

- Slim LED Downlight
- Very flat design, only 34mm height
- Available in both round and square version
- Integrated driver for easier installation
- Two lumen packages
- Efficacy up to 85 lm/W
- Suitable for retrofitting due to available adapter ring sizes



Specifications

Item Code	Item Description	Equivalent to (W)	Power (W)	Lumen	Efficacy (lm/W)	CCT (K)	Weight (kg/pc)
140056557	LEDDownlightRc-SI-E Rd150-12W-3000-WH	CFL 1x18W	12	1020	85	3000	0.25
140056558	LEDDownlightRc-SI-E Rd150-12W-4000-WH	CFL 1x18W	12	1020	85	4000	0.25
140056559	LEDDownlightRc-SI-E Rd200-24W-3000-WH	CFL 2x26W	24	2040	85	3000	0.41
140056560	LEDDownlightRc-SI-E Rd200-24W-4000-WH	CFL 2x26W	24	2040	85	4000	0.41
140056561	LEDDownlightRc-SI-E Sq150-12W-3000-WH	CFL 1x18W	12	1020	85	3000	0.24
140056562	LEDDownlightRc-SI-E Sq150-12W-4000-WH	CFL 1x18W	12	1020	85	4000	0.24
140056563	LEDDownlightRc-SI-E Sq200-24W-3000-WH	CFL 2x26W	24	2040	85	3000	0.55
140056564	LEDDownlightRc-SI-E Sq200-24W-4000-WH	CFL 2x26W	24	2040	85	4000	0.55

Available on request with 3- pole Wieland GST18i connector.

Accessories



140060653
LEDDownlightRc-SI-E-Adapter-150-175

140060647
LEDDownlightRc-P-SI-E-Adapter-200-225

140060648
LEDDownlightRc-P-SI-E-Adapter-200-250

Technical Specifications

Lifespan (L70B50)	40,000 h
Lifespan (L80B50)	20,000 h
On-/Off-cycles	100,000
Colour consistency (SDCM)	3
Dimmable	No
Beam angle	112 °
Finishing	White RAL9003
Colour rendering index CRI	≥ 80
Degree of protection (IP)	IP44
IP recessed part	IP20
Impact strength	IK02
Protection class	II
Risk group	RG0
Control gear included	Yes
Glow wire test	650 °C
Driver failure rate (at 5,000 hrs)	1 %
Power factor	≥ 0.9

Electrical Supply

Frequency	50/60 Hz
Nominal voltage	220-240 V
	AC
DC input voltage	No

Mechanical Properties

Material housing	Plastic
Optical material	Polycarbonate

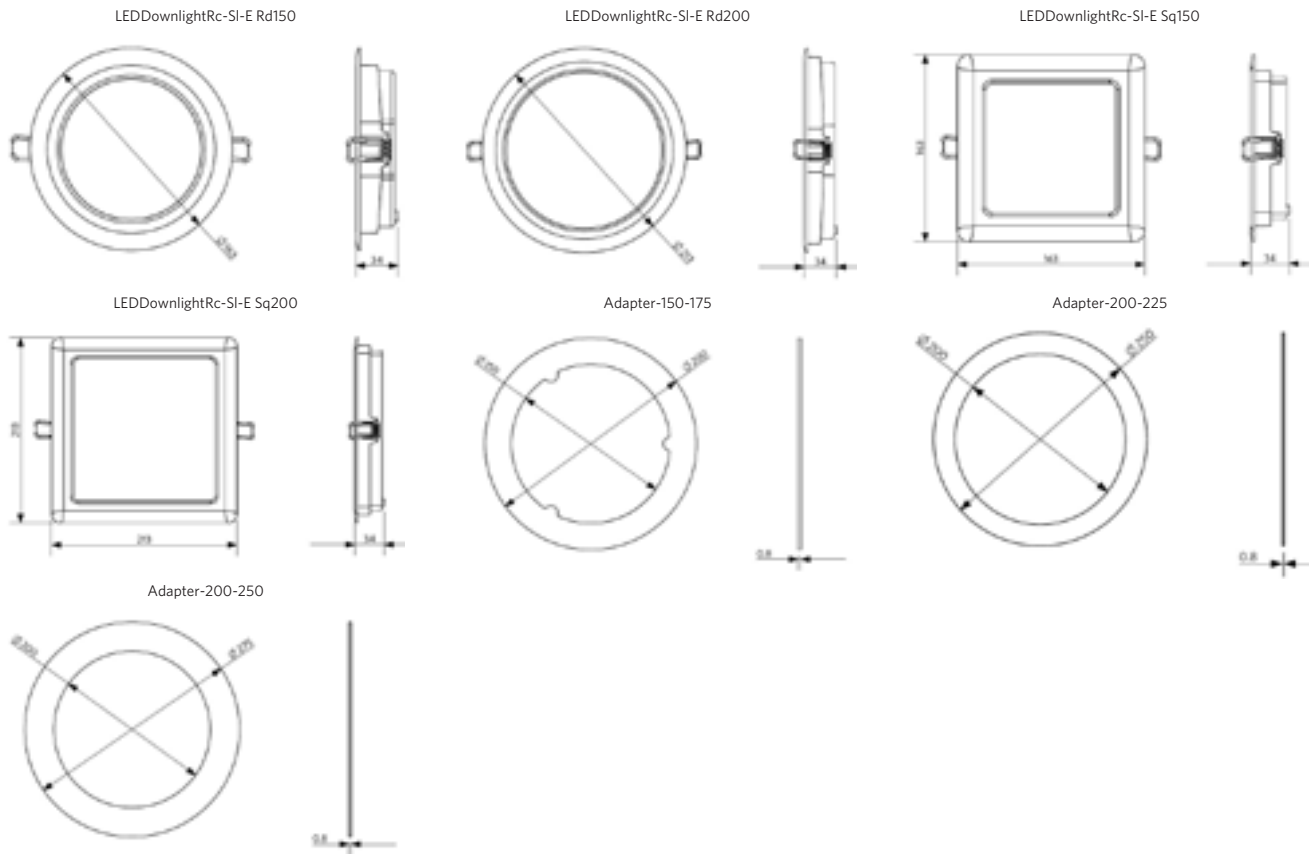
Ambient Conditions

Operating temperature	-10 ~ 40 °C
Application temperature	25 °C
Storage environment	-25 ~ 50 °C

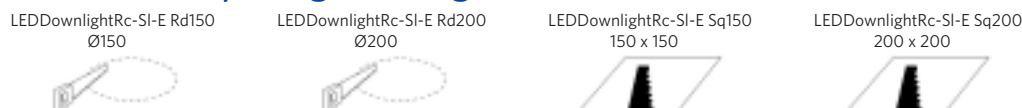


INDOOR

Dimensional Drawing (mm)



Installation Opening Drawing (mm)





LED Downlight Basic

- NEW: 6500K version available
- Cost effective compact LED Downlight
- Suitable for recessed applications
- Replacement for conventional 1x18W or 2x26W CFL luminaires
- Energy saving up to 60%
- Flicker-free light with perfect uniformity
- Easy to install due to integrated LED driver



Specifications

Item Code	Item Description	Equivalent to (W)	Power (W)	Lumen	Efficacy (lm/W)	CCT (K)	Weight (kg/pc)
540001023800	LEDDownlightRc-B Rd150-12W-3000-WH	CFL 1x18W	12	930	79	3000	0.15
540001000510	LEDDownlightRc-B Rd150-12W-4000-WH	CFL 1x18W	12	960	80	4000	0.15
540001027800	LEDDownlightRc-B Rd150-12W-6500-WH	CFL 1x18W	12	930	79	6500	0.15
540001023700	LEDDownlightRc-B Rd200-22W-3000-WH	CFL 2x26W	22	1800	82	3000	0.25
540001000410	LEDDownlightRc-B Rd200-22W-4000-WH	CFL 2x26W	22	1870	85	4000	0.25
540001027900	LEDDownlightRc-B Rd200-22W-6500-WH	CFL 2x26W	22	1800	82	6500	0.25

Technical Specifications

Lifespan (L70B50)	30,000 h
On-/Off-cycles	100,000
Dimmable	No
Beam angle	110 °
Finishing	White RAL9003
Colour rendering index CRI	≥ 80
Degree of protection (IP)	IP20
Impact strength	IK02
Protection class	II
Risk group	RG0
Control gear included	Yes
Glow wire test	650 °C
Driver failure rate (at 5,000 hrs)	1 %
Power factor	0.5

Electrical Supply

Frequency	50/60 Hz
Nominal voltage	220-240 V AC
DC input voltage	Yes, see Appendix 3

Mechanical Properties

Material housing	Polycarbonate (PC)
Optical material	Polypropylene (PP)

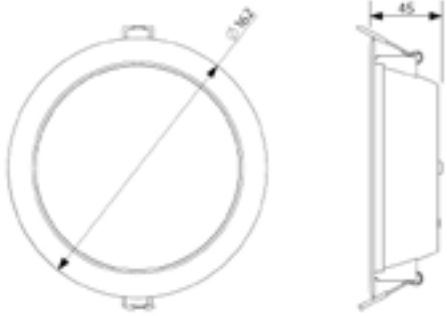
Ambient Conditions

Operating temperature	-10 ~ 45 °C
Application temperature	25 °C
Storage environment	-25 ~ 50 °C

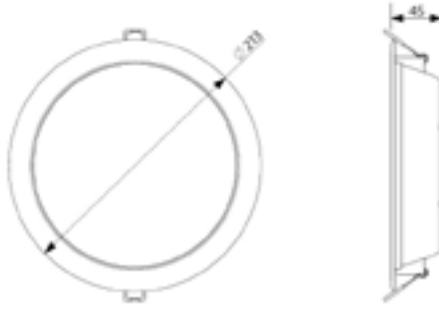


Dimensional Drawing (mm)

LEDDownlightRc-B Rd150-12W



LEDDownlightRc-B Rd200-22W



Installation Opening Drawing (mm)

LEDDownlightRc-B Rd150
 $\varnothing 150$



LEDDownlightRc-B Rd200
 $\varnothing 200$





LED Spot Performer 3C Compact

- Compact track spot with elegant cylindrical design
- High lumen packages with high efficiency: 3150 lm and 90 lm/W
- Adapt the beam angle with exchangeable reflector
- Equipped with Global track adapters
- Fitting common Global/Nordic Aluminum® 3C Tracks - any many other standard types
- Low glare due to matte black anti-glare ring
- Available in matte white (WH) and matte black (BL) versions



Specifications

Item Code	Item Description	Equivalent to (W)	Power (W)	Lumen	Efficacy (lm/W)	CCT (K)	Beam angle	Weight (kg/pc)
541001053900	LEDSpot3C-C-P 25W-3000-36D-WH	HID 35W	25	2125	85	3000	36 °	0.74
541001053700	LEDSpot3C-C-P 25W-4000-36D-WH	HID 35W	25	2250	90	4000	36 °	0.74
541001053500	LEDSpot3C-C-P 35W-3000-36D-WH	HID 50W	35	2975	85	3000	36 °	0.94
541001053300	LEDSpot3C-C-P 35W-4000-36D-WH	HID 50W	35	3150	90	4000	36 °	0.94
541001052700	LEDSpot3C-C-P 25W-3000-36D-BL	HID 35W	25	2125	85	3000	36 °	0.74
541001053000	LEDSpot3C-C-P 25W-4000-36D-BL	HID 35W	25	2250	90	4000	36 °	0.74
541001052800	LEDSpot3C-C-P 35W-3000-36D-BL	HID 50W	35	2975	85	3000	36 °	0.94
541001052600	LEDSpot3C-C-P 35W-4000-36D-BL	HID 50W	35	3150	90	4000	36 °	0.94

Accessories



550098000300
LEDSpot3C-C-P R85-Reflector-24D

550098000500
LEDSpot3C-C-P R100-Reflector-24D

Technical Specifications

Lifespan (L70B50)	70,000 h
Lifespan (L80B50)	50,000 h
On-/Off-cycles	100,000
Colour consistency (SDCM)	4
Dimmable	No
Maximum tilt angle	85 °
Finishing	Matte white, matte black anti-glare ring / Matte Black, Matte Black anti-glare ring
Colour rendering index CRI	≥ 90
Degree of protection (IP)	IP20
Impact strength	IK03
Protection class	II
Risk group	RG0
Control gear included	Yes
Glow wire test	650 °C
Driver failure rate (at 5,000 hrs)	1 %
Power factor	≥ 0.9

Electrical Supply

Frequency	50/60 Hz
Nominal voltage	220-240 V AC
DC input voltage	No

Mechanical Properties

Material housing	Aluminium
Optical material	Coated Polycarbonate
Lens material	Polycarbonate

Ambient Conditions

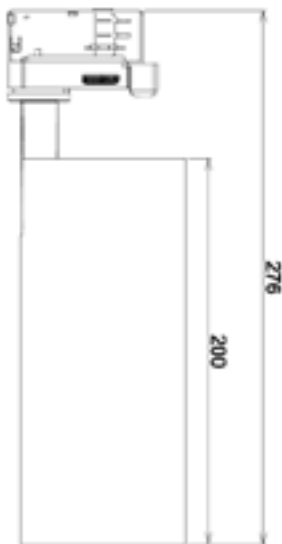
Operating temperature	-10 ~ 40 °C
Application temperature	25 °C
Storage environment	-25 ~ 50 °C



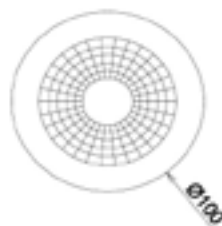
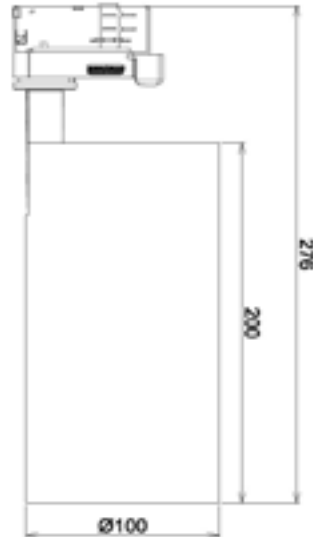
INDOOR

Dimensional Drawing (mm)

LEDspot3C-C-P 25W



LEDspot3C-C-P 35W





LED Spot Performer 3C

- Attractive design with basic cylinder and box shapes fit easily into shop architectures
- High lumen packages with high efficacy: up to 3,600 lm and 85 lm/W
- Equipped with original Global track adapters
- Fitting common Global/Nordic Aluminum® 3C Tracks - any many other standard types
- Low glare due to matte black anti-glare ring
- Available in matte white (WH) and matte black (BL) versions
- High cost savings due to long lifetime (no lamp replacement)



Specifications

Item Code	Item Description	Equivalent to (W)	Power (W)	Lumen	Efficacy (lm/W)	CCT (K)	Beam angle	Weight (kg/pc)
140054439	LEDSpot3C-P 30W-3000-40D-WH	HID 35W	30	2400	80	3000	40 °	1.20
140054447	LEDSpot3C-P 30W-4000-40D-WH	HID 50W	30	2550	85	4000	40 °	1.20
140058472	LEDSpot3C-P 45W-3000-36D-WH	HID 70W	45	3375	75	3000	36 °	1.60
140058480	LEDSpot3C-P 45W-4000-36D-WH	HID 70W	45	3600	80	4000	36 °	1.60
140054443	LEDSpot3C-P 30W-3000-40D-BL	HID 50W	30	2400	80	3000	40 °	1.20
140054451	LEDSpot3C-P 30W-4000-40D-BL	HID 50W	30	2550	85	4000	40 °	1.20
140058476	LEDSpot3C-P 45W-3000-36D-BL	HID 70W	45	3375	75	3000	36 °	1.60
140058484	LEDSpot3C-P 45W-4000-36D-BL	HID 70W	45	3600	80	4000	36 °	1.60

Technical Specifications

Lifespan (L70B50)	50,000 h
Lifespan (L80B50)	30,000 h
On-/Off-cycles	100,000
Colour consistency (SDCM)	3
Dimmable	No
Maximum tilt angle	90 °
Finishing	Matte white, matte black anti-glare ring / Matte Black, Matte Black anti-glare ring
Colour rendering index CRI	≥ 90
Degree of protection (IP)	IP20
Impact strength	IK02
Protection class	I
Risk group	RG1
Control gear included	Yes
Glow wire test	650 °C
Driver failure rate (at 5,000 hrs)	1 %
Power factor	≥ 0.9

Electrical Supply

Frequency	50/60 Hz
Nominal voltage	220-240 V AC
DC input voltage	Yes, see Appendix 3

Mechanical Properties

Material housing	Die-casted Aluminum
Optical material	Coated Polycarbonate
Lens material	Plastic (PC)

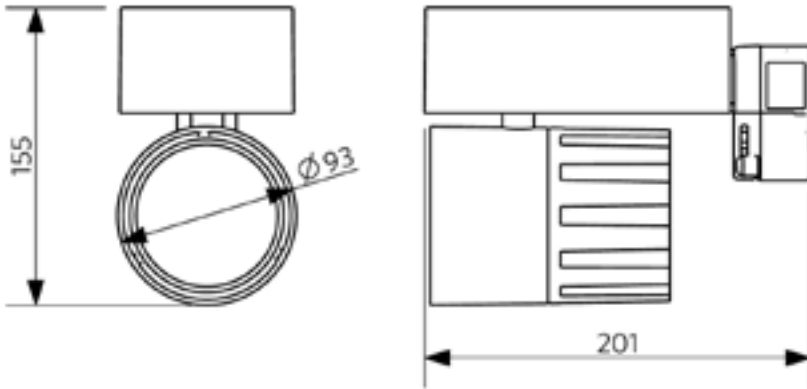
Ambient Conditions

Operating temperature	-25 ~ 40 °C
Application temperature	25 °C
Storage environment	-25 ~ 50 °C

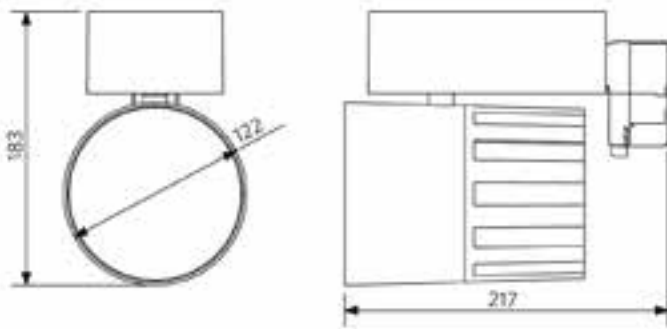


Dimensional Drawing (mm)

LEDspot3C-P 30W



LEDspot3C-P 45W



INDOOR





LED Spot Ecomax 3C

- Compact cost effective track spot
- Equipped with Global track adapter
- Fitting common Global/Nordic Aluminum® 3C Tracks - and many other standard types
- Available in matte white (WH) and matte black (BL) versions



Specifications

Item Code	Item Description	Equivalent to (W)	Power (W)	Lumen	Efficacy (lm/W)	CCT (K)	Beam angle	Weight (kg/pc)
541001044800	LEDSpot3C-E 30W-3000-24D-WH	HID 50W	30	2550	85	3000	24 °	0.46
541001045000	LEDSpot3C-E 30W-4000-24D-WH	HID 50W	30	2700	90	4000	24 °	0.46
541001044900	LEDSpot3C-E 30W-3000-24D-BL	HID 50W	30	2550	85	3000	24 °	0.46
541001045100	LEDSpot3C-E 30W-4000-24D-BL	HID 50W	30	2700	90	4000	24 °	0.46

Technical Specifications

Lifespan (L70B50)	50,000 h
Lifespan (L80B50)	30,000 h
On-/Off-cycles	100,000
Colour consistency (SDCM)	3
Dimmable	No
Maximum tilt angle	90 °
Finishing	White / Black
Colour rendering index CRI	≥ 80
Degree of protection (IP)	IP20
Impact strength	IK02
Protection class	II
Risk group	RG0
Control gear included	Yes
Glow wire test	650 °C
Driver failure rate (at 5,000 hrs)	0.01 %
Power factor	≥ 0.9

Electrical Supply

Frequency	50/60 Hz
Nominal voltage	220-240 V AC
DC input voltage	No

Mechanical Properties

Material housing	Aluminium
Optical material	Coated Polycarbonate
Lens material	Polycarbonate

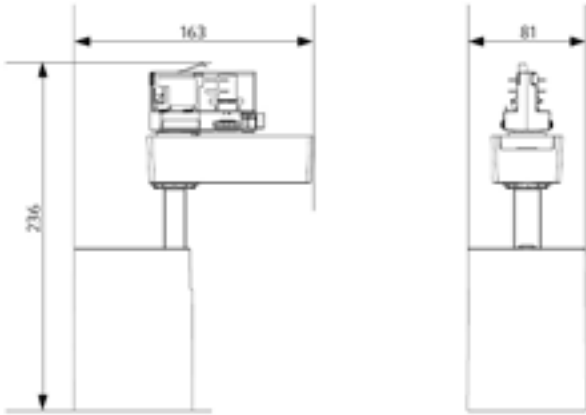
Ambient Conditions

Operating temperature	-10 ~ 40 °C
Application temperature	25 °C
Storage environment	-25 ~ 50 °C



Dimensional Drawing (mm)

LEDspot3C-E 30W



INDOOR





LED Spot Performer Swing

- NEW: 35W version available as Smart Lighting (BLE) and DALI solution
- Powerful recessed, rotatable and tiltable spot
- Clean, compact design
- Die-cast aluminium housing
- Excellent colour rendering with CRI 90
- High efficiency up to 100 lm/W



Specifications

Item Code	Item Description	Equivalent to (W)	Power (W)	Lumen	Efficacy (lm/W)	CCT (K)	Beam angle	Weight (kg/pc)
541003067800	LEDSpotRS-P 20W-3000-60D-WH	HID 35W	20	1800	90	3000	60 °	0.57
541003067900	LEDSpotRS-P 20W-4000-60D-WH	HID 35W	20	2000	100	4000	60 °	0.57
541003068200	LEDSpotRS-P 35W-3000-60D-WH	HID 50W	35	3150	90	3000	60 °	1.07
541003068300	LEDSpotRS-P 35W-4000-60D-WH	HID 50W	35	3500	100	4000	60 °	1.07
541003101500	LEDSpotRS-P 35W-3000-60D-WH-DALI	HID 50W	35	3150	90	3000	60 °	1.07
541003101600	LEDSpotRS-P 35W-4000-60D-WH-DALI	HID 50W	35	3500	100	4000	60 °	1.07
541003101900	LEDSpotRS-P 35W-3000-60D-WH-BLE	HID 50W	35	3150	90	3000	60 °	1.07
541003102000	LEDSpotRS-P 35W-4000-60D-WH-BLE	HID 50W	35	3500	100	4000	60 °	1.07
541003102300	LEDSpotRS-P 35W-3000-60D-WH-10V	HID 50W	35	3150	90	3000	60 °	1.07
541003102400	LEDSpotRS-P 35W-4000-60D-WH-10V	HID 50W	35	3500	100	4000	60 °	1.07

Technical Specifications

Lifespan (L70B50)	70,000 h
Lifespan (L80B50)	50,000 h
On-/Off-cycles	100,000
Colour consistency (SDCM)	3
Dimmable	No / Yes (DALI/BLE/1-10V)
Maximum tilt angle	40 °
Finishing	White
Colour rendering index CRI	≥ 90
Degree of protection (IP)	IP20
Impact strength	IK03
Protection class	II
Risk group	RG0
Control gear included	Yes
Glow wire test	650 °C
Driver failure rate (at 5,000 hrs)	0.5 %
Power factor	≥ 0.9

Electrical Supply

Frequency	50/60 Hz
Nominal voltage	220-240 V AC
DC input voltage	No

Mechanical Properties

Material housing	Aluminium
Optical material	Coated Polycarbonate

Ambient Conditions

Operating temperature	-10 ~ 45 °C
Application temperature	25 °C
Storage environment	-25 ~ 50 °C

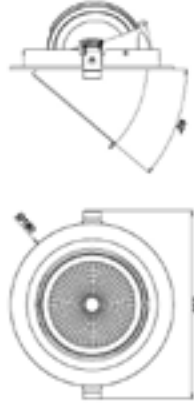


Dimensional Drawing (mm)

LEDSpotRS -P 20W



LEDSpotRS -P 35W



LEDSpotRS -P 20W Driver



LEDSpotRS -P 35W Driver On/Off



LEDSpotRS -P 35W Driver Dim



Installation Opening Drawing (mm)

LEDSpotRS -P 20W
Ø120-130



LEDSpotRS -P 35W
Ø160-175





LED Spot Performer RA

- Powerful recessed, tiltable LED spot
- High lumen packages with high efficacy: up to 3,600 lm and 85 lm/W
- Low glare due to matte black anti-glare ring
- High cost savings due to long lifetime (no lamp replacement)
- DALI versions available



Specifications

Item Code	Item Description	Equivalent to (W)	Power (W)	Lumen	Efficacy (lm/W)	CCT (K)	Beam angle	Weight (kg/pc)
140054455	LEDSpotRA-P 30W-3000-40D-WH	HID 35W	30	2400	80	3000	40 °	0.90
140054459	LEDSpotRA-P 30W-4000-40D-WH	HID 35W	30	2550	85	4000	40 °	0.90
140058488	LEDSpotRA-P 45W-3000-36D-WH	HID 50W	45	3375	75	3000	36 °	1.30
140058492	LEDSpotRA-P 45W-4000-36D-WH	HID 50W	45	3600	80	4000	36 °	1.30
140063683	LEDSpotRA-P 30W-3000-40D-WH-DALI	HID 35W	30	2400	80	3000	40 °	0.88
140063687	LEDSpotRA-P 30W-4000-40D-WH-DALI	HID 35W	30	2550	85	4000	40 °	0.88
140063707	LEDSpotRA-P 45W-3000-36D-WH-DALI	HID 50W	45	3375	75	3000	36 °	1.33
140063711	LEDSpotRA-P 45W-4000-36D-WH-DALI	HID 50W	45	3600	80	4000	36 °	1.33

Technical Specifications

Lifespan (L70B50)	50,000 h
Lifespan (L80B50)	30,000 h
On-/Off-cycles	100,000
Colour consistency (SDCM)	3
Dimmable	No / Yes (DALI)
Maximum tilt angle	20 °
Finishing	Matte white, matte black anti-glare ring
Colour rendering index CRI	≥ 90
UGR	19
Degree of protection (IP)	IP20
Impact strength	IK02
Protection class	II
Risk group	RG1
Control gear included	Yes
Glow wire test	650 °C
Driver failure rate (at 5,000 hrs)	1 %
Power factor	≥ 0.9

Electrical Supply

Frequency	50/60 Hz
Nominal voltage	220-240 V AC
DC input voltage	Yes, see Appendix 3

Mechanical Properties

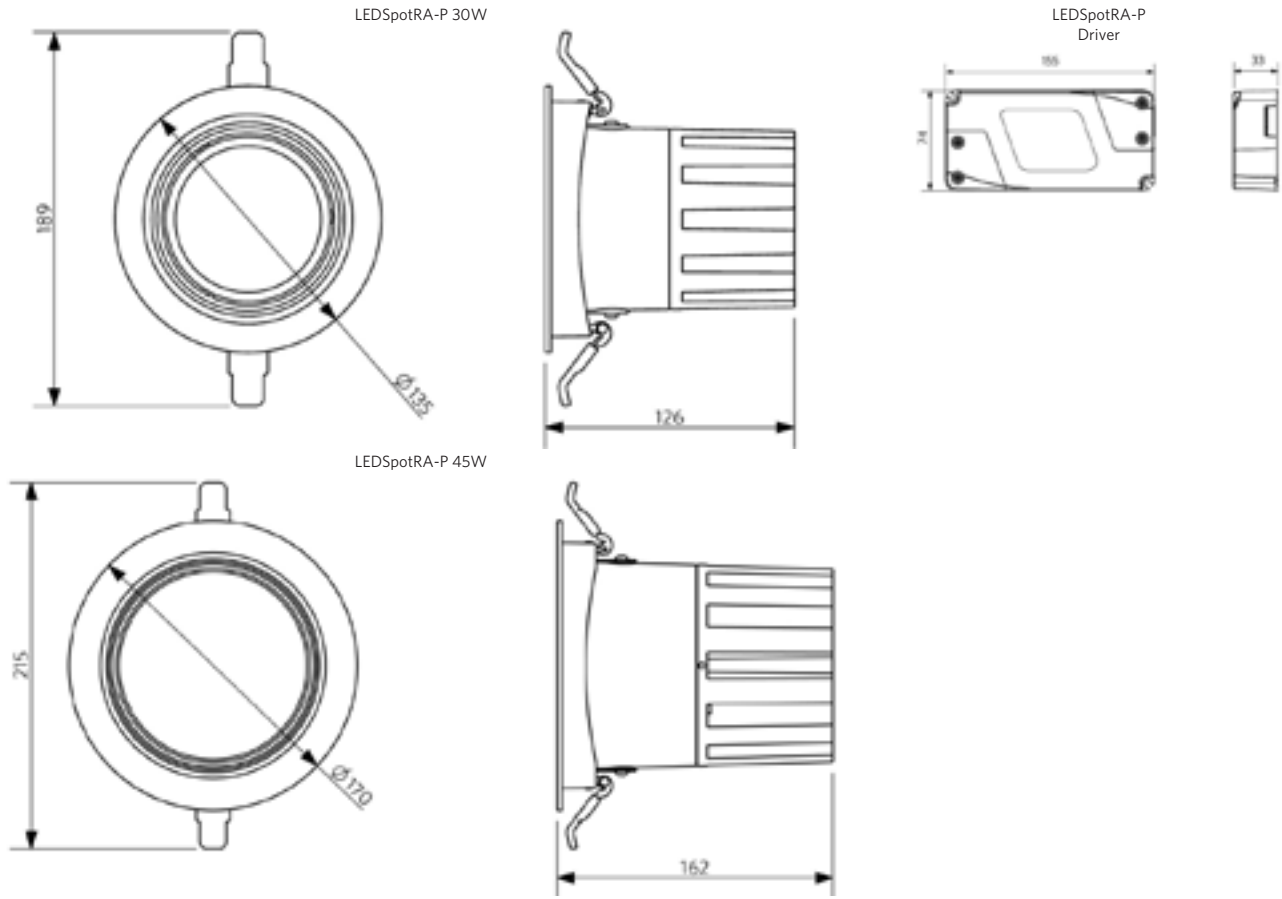
Material housing	Die-casted Aluminum
Optical material	Coated Polycarbonate
Lens material	Polycarbonate

Ambient Conditions

Operating temperature	-25 ~ 40 °C
Application temperature	25 °C
Storage environment	-25 ~ 50 °C



Dimensional Drawing (mm)



INDOOR

Installation Opening Drawing (mm)





LED Spot Round Adjustable HQ

- Attractive tiltable recessed spotlight with comfortable light beam
- Up to 85% lower energy consumption than halogen spotlights
- Unique light mixing technique and optics design, UGR16
- Good beam orientation adjustment, providing great flexibility
- Full IP44 solution (8W), including IP44 LED-driver
- Available in white and aluminum with light colors 2700K, 3000K and 4000K



Specifications

Item Code	Item Description	Equivalent to (W)	Power (W)	Lumen	Efficacy (lm/W)	CCT (K)	Degree of protection (IP)	Weight (kg/pc)
140044423	LEDSpotRA-HQ 7W-Dim-2700-40D-WH-CT	Halogen 35W	7	400	57	2700	IP20	0.19
140044096	LEDSpotRA-HQ 7W-Dim-3000-40D-WH-CT	Halogen 35W	7	420	60	3000	IP20	0.19
140044100	LEDSpotRA-HQ 7W-Dim-4000-40D-WH-CT	Halogen 35W	7	450	64	4000	IP20	0.19
140044419	LEDSpotRA-HQ 7W-Dim-2700-40D-AL-CT	Halogen 35W	7	400	57	2700	IP20	0.19
140044080	LEDSpotRA-HQ 7W-Dim-3000-40D-AL-CT	Halogen 35W	7	420	60	3000	IP20	0.19
140044084	LEDSpotRA-HQ 7W-Dim-4000-40D-AL-CT	Halogen 35W	7	450	64	4000	IP20	0.19
140061281	LEDSpotRA HQ2 8W-Dim-2700-40D-WH-IP44	Halogen 50W	8	600	75	2700	IP44	0.40
140061282	LEDSpotRA HQ2 8W-Dim-3000-40D-WH-IP44	Halogen 50W	8	600	75	3000	IP44	0.40
140061283	LEDSpotRA HQ2 8W-Dim-4000-40D-WH-IP44	Halogen 50W	8	600	75	4000	IP44	0.40
140061278	LEDSpotRA HQ2 8W-Dim-2700-40D-AL-IP44	Halogen 50W	8	600	75	2700	IP44	0.40
140061279	LEDSpotRA HQ2 8W-Dim-3000-40D-AL-IP44	Halogen 50W	8	600	75	3000	IP44	0.40
140061280	LEDSpotRA HQ2 8W-Dim-4000-40D-AL-IP44	Halogen 50W	8	600	75	4000	IP44	0.40

See appendix for dimmer compatibility list.

Technical Specifications

Lifespan (L70B50)	50,000 h
Lifespan (L80B50)	30,000 h
On-/Off-cycles	100,000
Colour consistency (SDCM)	4
Dimmable	Yes (Triac)
Beam angle	40 °
Maximum tilt angle	23 °
Finishing	White RAL9003 / Brushed Aluminum RAL 9022
Colour rendering index CRI	≥ 80
UGR	16
Impact strength	IK02
Protection class	II
Risk group	RG0
Control gear included	Yes
Glow wire test	650 °C
Driver failure rate (at 5,000 hrs)	1 %
Power factor	≥ 0.9

Electrical Supply

Frequency	50/60 Hz
Nominal voltage	220-240 V AC
DC input voltage	Yes, see Appendix 3

Mechanical Properties

Material housing	Aluminum + Polycarbonate
Optical material	Coated Polycarbonate

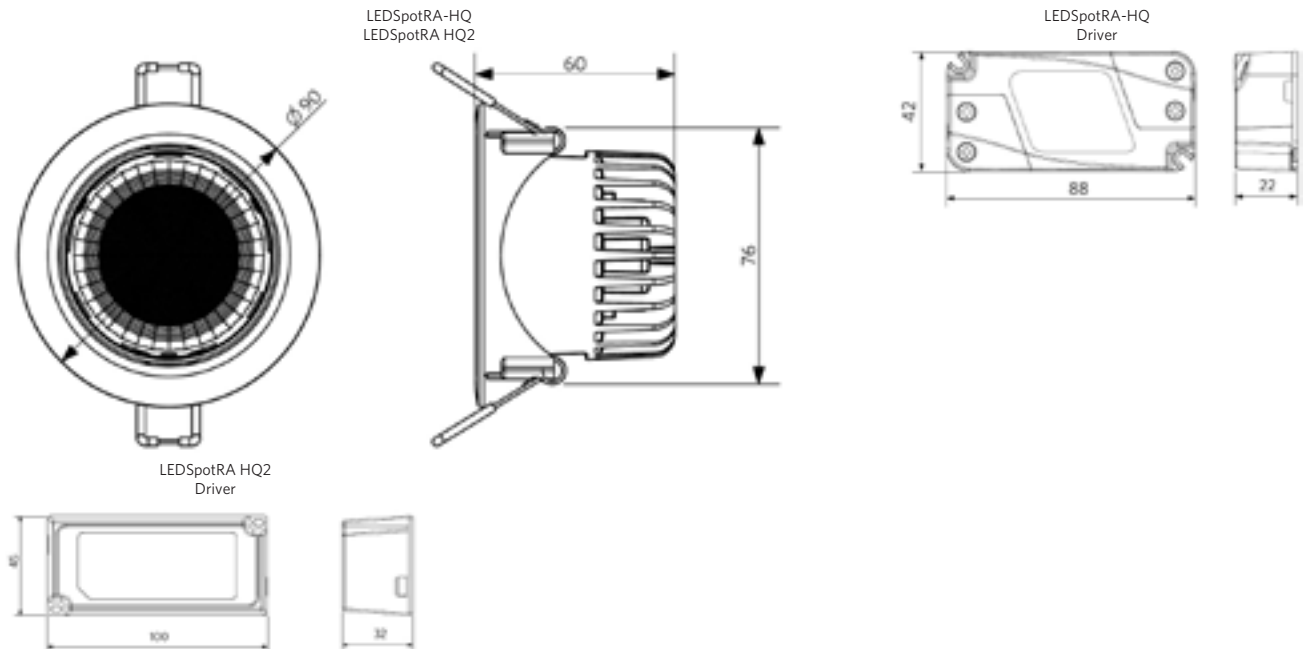
Ambient Conditions

Operating temperature	-10 ~ 40 °C
Application temperature	25 °C
Storage environment	-25 ~ 50 °C



INDOOR

Dimensional Drawing (mm)



Installation Opening Drawing (mm)

LEDSpotRA-HQ
LEDSpotRA HQ2
Ø80





LED Recessed Spot Ava

- Stylish recessed LED Spot
- Energy saving up to 80% in comparison to a traditional light source
- Tilttable, also for IP44 versions
- Beam angle of 30° creates a perfect accent light
- Warm white light (2700K)
- Available in matte white (MW) and brushed aluminium (BA) finishes

IP44



Specifications

Item Code	Item Description	Equivalent to (W)	Power (W)	Lumen	Efficacy (lm/W)	CCT (K)	Degree of protection (IP)	Weight (kg/pc)
140049619	LED HRS 7W Dim 2700K 30D Ava MW CT	Halogen 35W	7	310	44	2700	IP20	0.20
140049621	LED HRS 7W Dim 2700K 30D Ava BA CT	Halogen 35W	7	310	44	2700	IP20	0.20
140049625	LED HRS 9W Dim 2700K 30D Ava MW CT	Halogen 50W	9	430	47	2700	IP20	0.29
140049627	LED HRS 9W Dim 2700K 30D Ava BA CT	Halogen 50W	9	430	47	2700	IP20	0.29
140058060	LED HRS 7W Dim 2700K 30D Ava IP44 BA	Halogen 35W	7	330	50	2700	IP44	0.34
140058061	LED HRS 7W Dim 2700K 30D Ava IP44 MW	Halogen 35W	7	330	50	2700	IP44	0.34

See appendix for dimmer compatibility list.

Technical Specifications

Lifespan (L70B50)	30,000 h
Lifespan (L80B50)	20,000 h
On-/Off-cycles	50,000
Dimmable	Yes (Triac)
Beam angle	30 °
Maximum tilt angle	25 °
Finishing	Brushed Aluminium / Matte white
Colour rendering index CRI	≥ 80
Protection class	II
Control gear included	Yes

Electrical Supply

Frequency	50/60 Hz
Nominal voltage	220-240 V AC
DC input voltage	No

Mechanical Properties

Material housing	Aluminium
Optical material	Polycarbonate

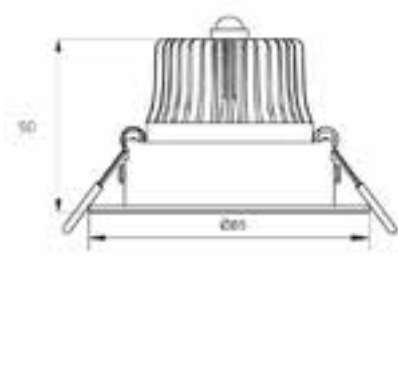
Ambient Conditions

Operating temperature	-20 ~ 40 °C
Application temperature	25 °C
Storage environment	-25 ~ 50 °C

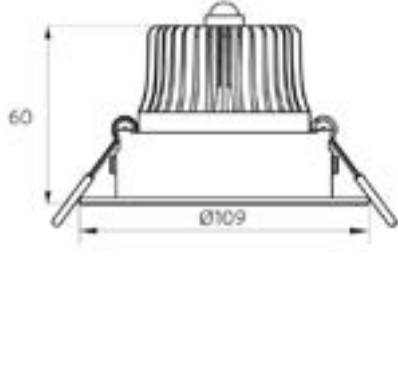


Dimensional Drawing (mm)

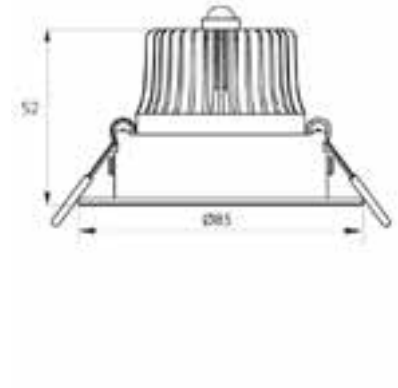
LED HRS 7W Dim 2700K 30D Ava



LED HRS 9W Dim 2700K 30D Ava



LED HRS 7W Dim 2700K 30D Ava IP44



LED HRS 7W Dim 2700K 30D Ava Driver



Installation Opening Drawing (mm)

LED HRS 7W Dim 2700K 30D Ava
Ø68-76



LED HRS 9W Dim 2700K 30D Ava
Ø95





LED Spot EcoMax

- Fixed spotlight range with universal 68 mm cut-out
- Direct replacement for majority of halogen spotlights
- Over 85% savings of energy costs compared to halogen 35W and 50W
- Available in matte white and brushed aluminium finishes
- Can be used in e.g. bathrooms and related environments



Specifications

Item Code	Item Description	Equivalent to (W)	Power (W)	Lumen	Efficacy (lm/W)	CCT (K)	Beam angle	Weight (kg/pc)
140054076	LEDSpotRF-E 4.5W-2700-36D-AL-CT	Halogen 35W	4.5	330	73	2700	36°	0.08
140054077	LEDSpotRF-E 4.5W-4000-36D-AL-CT	Halogen 35W	4.5	350	78	4000	36°	0.08
140054078	LEDSpotRF-E 4.5W-2700-36D-WH-CT	Halogen 35W	4.5	330	73	2700	36°	0.08
140054079	LEDSpotRF-E 4.5W-4000-36D-WH-CT	Halogen 35W	4.5	350	78	4000	36°	0.08
140055457	LEDSpotRF-E 7W-2700-36D-AL	Halogen 50W	7	510	73	2700	36°	0.08
140055458	LEDSpotRF-E 7W-4000-36D-AL	Halogen 50W	7	530	76	4000	36°	0.08
140055459	LEDSpotRF-E 7W-2700-36D-WH	Halogen 50W	7	510	73	2700	36°	0.08
140055460	LEDSpotRF-E 7W-4000-36D-WH	Halogen 50W	7	530	76	4000	36°	0.08

Technical Specifications

Lifespan (L70B50)	30,000 h
Lifespan (L80B50)	20,000 h
On-/Off-cycles	100,000
Colour consistency (SDCM)	4
Dimmable	No
Finishing	Brushed aluminum front, matte black back / Matte white
Colour rendering index CRI	≥ 80
Degree of protection (IP)	IP44
IP recessed part	IP20
Impact strength	IK02
Protection class	II
Risk group	RG0
Control gear included	Yes
Glow wire test	850 °C
Driver failure rate (at 5,000 hrs)	1 %
Power factor	≥ 0.9

Electrical Supply

Frequency	50/60 Hz
Nominal voltage	220-240 V AC
DC input voltage	Yes, see Appendix 3

Mechanical Properties

Material housing	Aluminium
Optical material	Polycarbonate

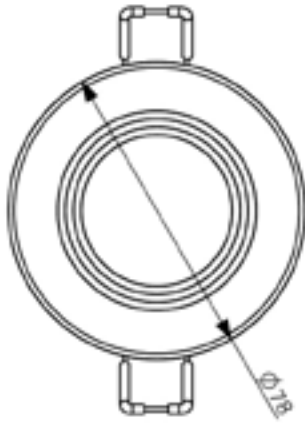
Ambient Conditions

Operating temperature	-25 ~ 40 °C
Application temperature	25 °C
Storage environment	-25 ~ 50 °C



Dimensional Drawing (mm)

LEDspotRF-E



Installation Opening Drawing (mm)

LEDspotRF-E
 $\varnothing 68$



INDOOR





LED Ceiling Light Apollo

- Professional wall/ceiling luminaire with comfortable diffused light.
- Easy installation on wall or ceiling
- LED Module Clio inside
- Bracket accessory available for easy mounting on existing installations (no new screw holes needed)
- Uniform, diffused light, creating a pleasant atmosphere
- IP44 versions also suitable for bathrooms and comparable spaces
- Energy saving up to 80% in comparison to a traditional light source



Specifications

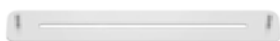
Item Code	Item Description	Equivalent to (W)	Power (W)	Lumen	Efficacy (lm/W)	CCT (K)	Energy Level	Weight (kg/pc)
520020000100	LED HC300 12W 2700K Apollo III	GLS 75W	12	1000	83	2700	A+	0.43
520020000200	LED HC300 12W 4000K Apollo III	GLS 75W	12	1100	91	4000	A+	0.43
520021000300	LED HC350 16W 2700K IP44 Apollo III	GLS 100W	16	1300	81	2700	A+	0.59
520021000400	LED HC350 16W 4000K IP44 Apollo III	GLS 100W	16	1400	87	4000	A+	0.59
520021000700	LED HC350 22W DIM 2700K IP44 Apollo	GLS 100W	22	1500	68	2700	A	0.59
520021000800	LED HC350 22W DIM 4000K IP44 Apollo	GLS 100W	22	1600	73	4000	A	0.59

For more technical information, please go to the appendix.

Accessories



140060553
LED Module sensor CT



520098000200
LED Apollo HC300 bracket



520098001800
LED Apollo HC350 bracket

Sensor only compatible with 12W and 16W versions. Sensor range 12m.
HC300 Bracket sold per 2. HC350 Bracket sold per 3.

Technical Specifications

Lifespan (L70B50)	30,000 h
Lifespan (L80B50)	20,000 h
On-/Off-cycles	100,000
Dimmable	No / Yes (DIM)
Beam angle	120 °
Finishing	White RAL9003
Colour rendering index CRI	≥ 80
Degree of protection (IP)	IP20 / IP44
Impact strength	IK03
Protection class	I
Risk group	RG0
Control gear included	Yes

Electrical Supply

Frequency	50/60 Hz
Nominal voltage	220-240 V
	AC
DC input voltage	No

Mechanical Properties

Material housing	Steel
Optical material	Polycarbonate

Ambient Conditions

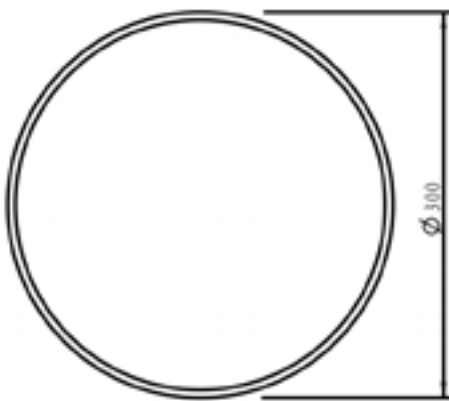
Operating temperature	-20 ~ 45 °C
Application temperature	25 °C
Storage environment	-25 ~ 50 °C



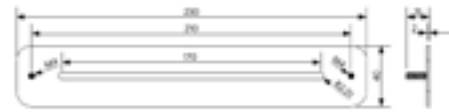
INDOOR

Dimensional Drawing (mm)

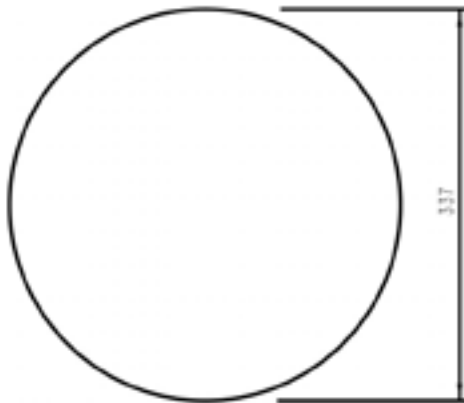
LED HC300 12W



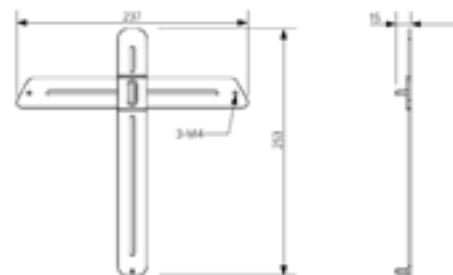
LED Apollo HC300 bracket



LED HC350 16W
LED HC350 22W



LED Apollo HC350 bracket



LED Module sensor CT





LED Ceiling Light Apollo Basic

- Cost effective wall/ceiling luminaire with comfortable diffused light.
- IP44, suitable for bathrooms and comparable spaces
- Available in 3 lumen packages and 2 colors
- Energy saving up to 80% in comparison to a traditional light source



Specifications

Item Code	Item Description	Equivalent to (W)	Power (W)	Lumen	Efficacy (lm/W)	CCT (K)	Energy Level	Weight (kg/pc)
520028005600	LED HC260 11W 2700K Apollo B	GLS 75W	11	900	82	2700	A+	0.26
520028005700	LED HC260 11W 4000K Apollo B	GLS 75W	11	1000	91	4000	A+	0.26
520021004400	LED HC350 17W 2700K Apollo B	GLS 100W	17	1400	82	2700	A+	0.53
520021004500	LED HC350 17W 4000K Apollo B	GLS 100W	17	1500	88	4000	A+	0.53
520021004600	LED HC350 23W 2700K Apollo B	GLS 100W	23	1900	83	2700	A+	0.58
520021004700	LED HC350 23W 4000K Apollo B	GLS 100W	23	2100	91	4000	A+	0.58

Accessories



520098001800
LED Apollo HC350 bracket

HC350 Bracket sold per 3.

Technical Specifications

Lifespan (L70B50)	30,000 h
Lifespan (L80B50)	20,000 h
On-/Off-cycles	100,000
Dimmable	No
Beam angle	120 °
Finishing	White RAL9003
Colour rendering index CRI	≥ 80
Degree of protection (IP)	IP44
Impact strength	IK03
Protection class	II
Risk group	RG0
Control gear included	Yes

Electrical Supply

Frequency	50/60 Hz
Nominal voltage	220-240 V
	AC
DC input voltage	No

Mechanical Properties

Material housing	Steel
Optical material	Polycarbonate

Ambient Conditions

Operating temperature	-20 ~ 45 °C
Application temperature	25 °C
Storage environment	-25 ~ 50 °C



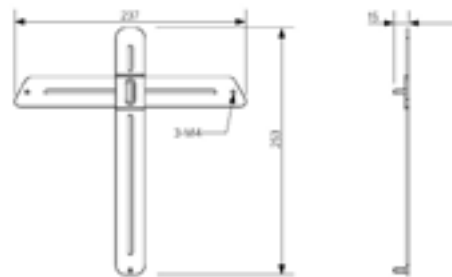
INDOOR

Dimensional Drawing (mm)

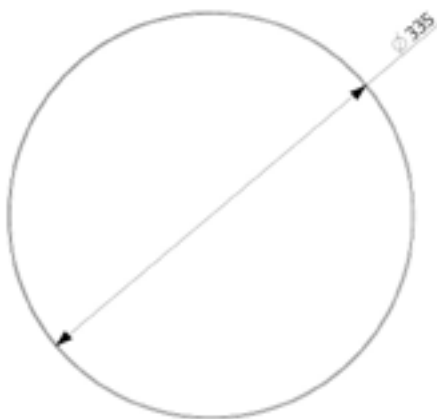
LED HC260
12W



LED Apollo HC350 bracket



LED HC350
17W & 23W





LED T8 Batten

- High lumen efficiency up to 105 lm/w
- Delivered with clips for surface mounted installation
- Suspension possible with separate accessory kit
- Mechanically connect multiple luminaires via connector accessory
- Energy saving up to 55%



Specifications

Item Code	Item Description	Equivalent to (W)	Power (W)	Lumen	Efficacy (lm/W)	CCT (K)	Weight (kg/pc)
140063301	LED T8 Batten 600mm 19W 3000K CT	TL 2x18W	19	1800	95	3000	0.51
140063302	LED T8 Batten 600mm 19W 4000K CT	TL 2x18W	19	1900	100	4000	0.51
140063303	LED T8 Batten 600mm 19W 6500K CT	TL 2x18W	19	1900	100	6500	0.51
140063304	LED T8 Batten 1200mm 38W 3000K CT	TL 2x36W	38	3800	100	3000	0.80
140063305	LED T8 Batten 1200mm 38W 4000K CT	TL 2x36W	38	4000	105	4000	0.80
140063306	LED T8 Batten 1200mm 38W 6500K CT	TL 2x36W	38	4000	105	6500	0.80

Accessories



140063307
LED T8 Batten connector



140063308
LED T8 Batten suspension Kit

Technical Specifications

Lifespan (L70B50)	30,000 h
Lifespan (L80B50)	20,000 h
On-/Off-cycles	100,000
Dimmable	No
Beam angle	120
Finishing	White
Colour rendering index CRI	≥ 80
Degree of protection (IP)	IP20
Impact strength	IK02
Protection class	I
Risk group	RG0
Control gear included	Yes
Power factor	≥ 0.9

Electrical Supply

Frequency	50/60 Hz
Nominal voltage	220-240 V AC
DC input voltage	No

Mechanical Properties

Material housing	Aluminium
------------------	-----------

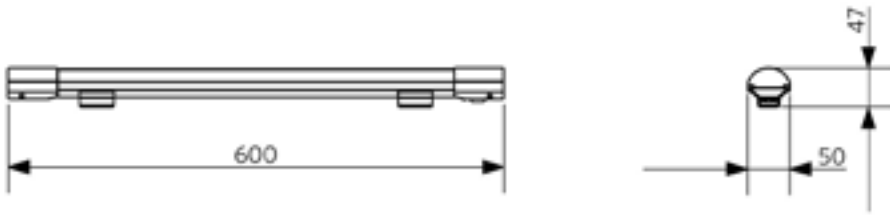
Ambient Conditions

Operating temperature	-10 ~ 40 °C
Application temperature	25 °C
Storage environment	-25 ~ 50 °C



Dimensional Drawing (mm)

LED T8 Batten 600mm



LED T8 Batten 1200mm



INDOOR





LED T5 Batten EcoMax

- Linear LED batten
- Uniform, diffused light, creating a pleasant atmosphere
- Trailing edge dimmable
- Up to 50% lower energy consumption
- Battens connect up to 15 meters
- Incl. power cable, mounting and connection pieces (fixed and flexible)
- With transparent end caps



Specifications

Item Code	Item Description	Equivalent to (W)	Power (W)	Lumen	Efficacy (lm/W)	CCT (K)	Energy Level	Weight (kg/pc)
140043898	LED E T5 batten 600 9W 800lm 3000K CT	TL 1x18W	9	800	89	3000	A+	0.14
140043899	LED E T5 batten 600 9W 800lm 4000K CT	TL 1x18W	9	800	89	4000	A+	0.14
140043900	LED E T5 batten 1200 18W 1600lm 3000K CT	TL 1x36W	18	1600	89	3000	A+	0.24
140043901	LED E T5 batten 1200 18W 1600lm 4000K CT	TL 1x36W	18	1600	89	4000	A+	0.24
140062784	LED P T5 batten 600 9W DIM 3000K CT	TL 1x18W	9	1000	111	3000	A+	0.29
140062783	LED P T5 batten 600 9W DIM 4000K CT	TL 1x18W	9	1000	111	4000	A+	0.29
140062786	LED P T5 batten 1200 18W DIM 3000K CT	TL 1x36W	18	2000	111	3000	A+	0.41
140062785	LED P T5 batten 1200 18W DIM 4000K CT	TL 1x36W	18	2000	111	4000	A+	0.41

See appendix for dimmer compatibility list.

Technical Specifications	
Lifespan (L70B50)	40,000 h
Lifespan (L80B50)	30,000 h
On-/Off-cycles	100,000
Dimmable	No / Yes (DIM)
Beam angle	140
Finishing	White
Colour rendering index CRI	≥ 80
Degree of protection (IP)	IP20
Protection class	II
Risk group	RG0
Control gear included	Yes
Power factor	≥ 0.9

Electrical Supply	
Frequency	50/60 Hz
Nominal voltage	220-240 V AC
DC input voltage	No

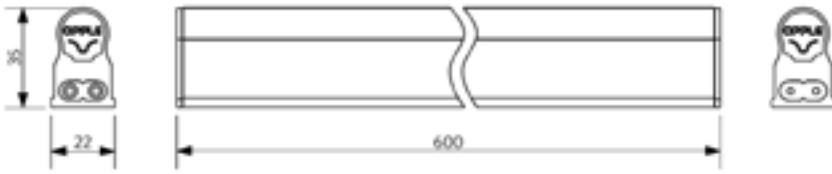
Mechanical Properties	
Material housing	Polycarbonate (PC)

Ambient Conditions	
Operating temperature	-20 ~ 40 °C
Application temperature	25 °C
Storage environment	-25 ~ 50 °C

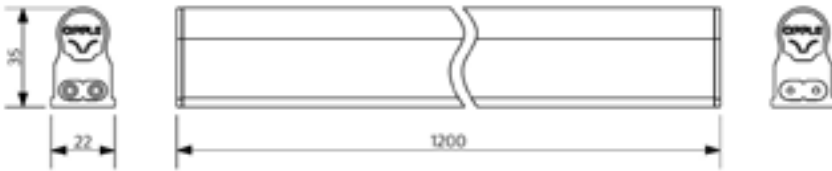


Dimensional Drawing (mm)

LED E T5 batten 600
LED P T5 batten 600



LED E T5 batten 1200
LED P T5 batten 1200



Accessories



Accessories included





LED T5 Batten S with switch

- Linear LED batten with power switch
- Uniform, diffused light, creating a pleasant atmosphere
- Available in 300, 600, 900 and 1200 mm
- Battens connect up to 15 meters
- Incl. power cable, mounting and connection pieces (fixed and flexible)
- Including integrated switch
- Energy saving up to 50%



Specifications

Item Code	Item Description	Equivalent to (W)	Power (W)	Lumen	Efficacy (lm/W)	CCT (K)	Energy Level	Weight (kg/pc)
140043904	LED E T5 batten 300 4.5W S 3000K BL	TL 1x9W	4.5	400	89	3000	A+	0.08
140044077	LED E T5 batten 300 4.5W S 4000K BL	TL 1x9W	4.5	400	89	4000	A+	0.08
140043903	LED E T5 batten 600 9W S 3000K BL	TL 1x18W	9	800	89	3000	A+	0.14
140044076	LED E T5 batten 600 9W S 4000K BL	TL 1x18W	9	800	89	4000	A+	0.14
140043902	LED E T5 batten 900 11W S 3000K BL	TL 1x18W	11	950	86	3000	A+	0.19
140044075	LED E T5 batten 900 11W S 4000K BL	TL 1x18W	11	950	86	4000	A+	0.19
140044293	LED E T5 batten 1200 13W S 3000K BL	TL 1x30W	13	1200	92	3000	A+	0.25
140044292	LED E T5 batten 1200 13W S 4000K BL	TL 1x30W	13	1200	92	4000	A+	0.25

Technical Specifications

Lifespan (L70B50)	40,000 h
Lifespan (L80B50)	30,000 h
On-/Off-cycles	100,000
Dimmable	No
Beam angle	140
Finishing	White
Colour rendering index CRI	≥ 80
Degree of protection (IP)	IP20
Protection class	II
Risk group	RG0
Control gear included	Yes
Power factor	≥ 0.9

Electrical Supply

Frequency	50/60 Hz
Nominal voltage	220-240 V AC
DC input voltage	No

Mechanical Properties

Material housing	Polycarbonate (PC)
------------------	--------------------

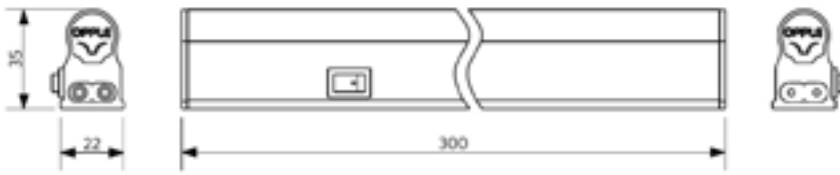
Ambient Conditions

Operating temperature	-20 ~ 40 °C
Application temperature	25 °C
Storage environment	-25 ~ 50 °C

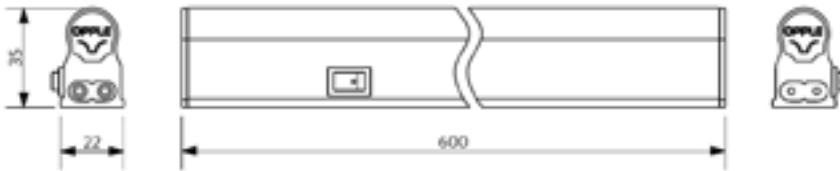


Dimensional Drawing (mm)

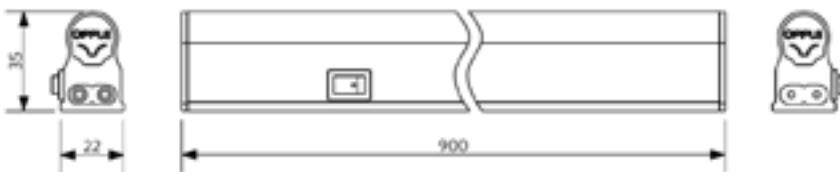
LED E T5 batten 300



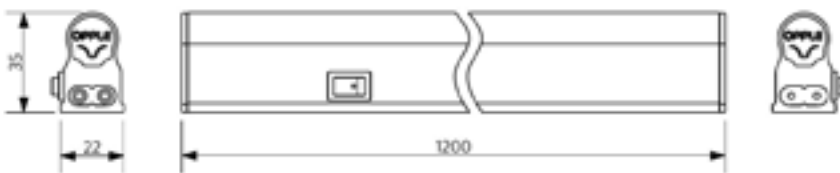
LED E T5 batten 600



LED E T5 batten 900



LED E T5 batten 1200



Accessories



Accessories included





LED Lowbay

- Stylish solution for medium high ceilings in retail and industry
- High efficacy up to 100lm/W
- Up to 50% energy saving compared to HID solutions
- Multiple beam angles available



Specifications

Item Code	Item Description	Equivalent to (W)	Power (W)	Lumen	Efficacy (lm/W)	CCT (K)	Beam angle	Weight (kg/pc)
545002000600	LEDLowbay-E 30W-4000-60D	CFL 2x26W	30	3000	100	4000	60 °	0.54
545002000500	LEDLowbay-E 30W-4000-120D	CFL 2x26W	30	3000	100	4000	120 °	0.65
545002000400	LEDLowbay-E 50W-4000-60D	HID 70W	50	5000	100	4000	60 °	1.03
545002000300	LEDLowbay-E 50W-4000-120D	HID 70W	50	5000	100	4000	120 °	1.14
545002000200	LEDLowbay-E 80W-4000-60D	HID 100W	80	7200	90	4000	60 °	1.70
545002000100	LEDLowbay-E 80W-4000-90D	HID 100W	80	8000	100	4000	90 °	1.70

Technical Specifications

Lifespan (L70B50)	60,000 h
Lifespan (L80B50)	40,000 h
On-/Off-cycles	100,000
Colour consistency (SDCM)	4
Dimmable	No
Finishing	Silver
Colour rendering index CRI	≥ 80
Degree of protection (IP)	IP20
Impact strength	IK03
Protection class	I
Risk group	RG1
Control gear included	Yes
Glow wire test	650 °C
Driver failure rate (at 5,000 hrs)	1 %
Power factor	1.0

Electrical Supply

Frequency	50/60 Hz
Nominal voltage	220-240 V AC
DC input voltage	Yes, see Appendix 3

Mechanical Properties

Material housing	Aluminium
Optical material	Polycarbonate

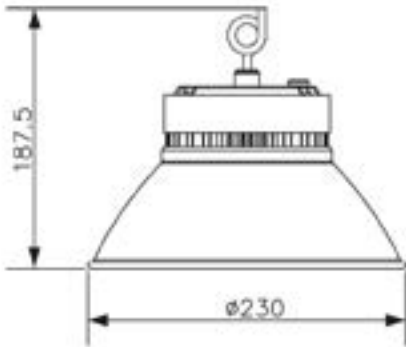
Ambient Conditions

Operating temperature	-20 ~ 45 °C
Application temperature	25 °C
Storage environment	-30 ~ 50 °C

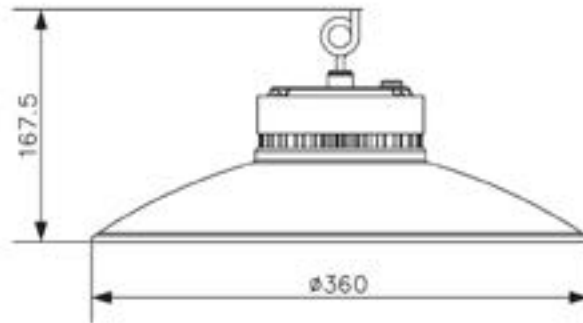


Dimensional Drawing (mm)

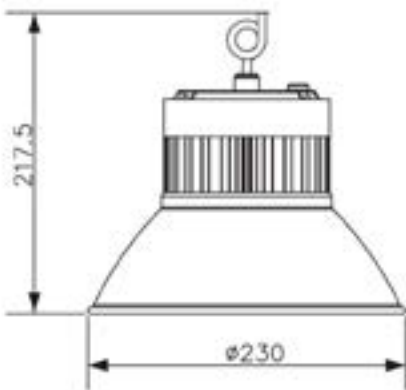
LEDLowbay-E 30W-4000-60D



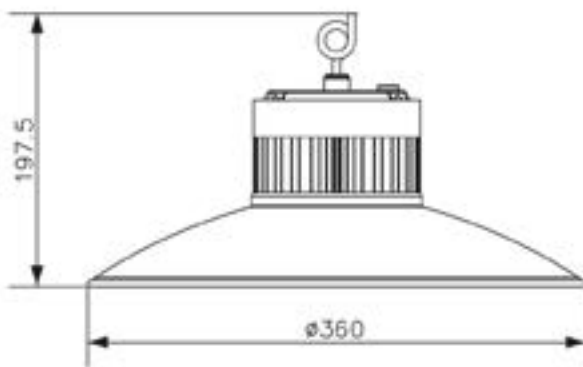
LEDLowbay-E 30W-4000-120D



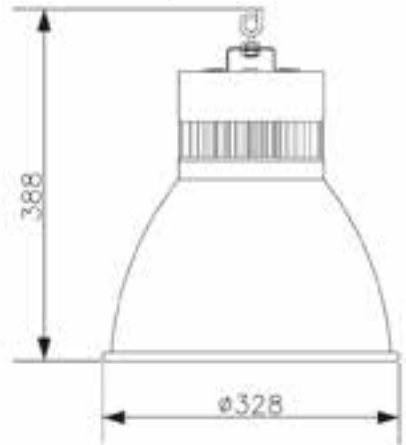
LEDLowbay-E 50W-4000-60D



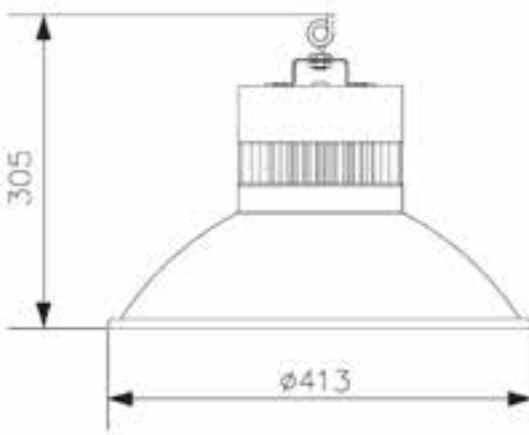
LEDLowbay-E 50W-4000-120D



LEDLowbay-E 80W-4000-60D



LEDLowbay-E 80W-4000-90D





LED Highbay Performer G4

- NEW: available as Smart Lighting solution (BLE)
- NEW: 5700K version available
- NEW: Low glare reflector available as accessory
- High quality LED Highbay solution with advanced ultra slim design
- High efficiency of 130 lm/W
- Available in DALI 2.0 to ensure high compatibility
- Up to 40% weight reduction compared to Highbay Performer G3
- Equipped with IP68 connector



Specifications

	Item Code	Item Description	Equivalent to (W)	Power (W)	Lumen	Efficacy (lm/W)	CCT (K)	Beam angle	Weight (kg/pc)
On/ Off	545001002500	LEDHighbay-P4 80W-4000-50D	HID 250W	80	10400	130	4000	50 °	2.10
	545001014600	LEDHighbay-P4 80W-5700-50D	HID 250W	80	10400	130	5700	50 °	2.10
	545001002600	LEDHighbay-P4 80W-4000-95D	HID 250W	80	10400	130	4000	95 °	2.10
	545001014700	LEDHighbay-P4 80W-5700-95D	HID 250W	80	10400	130	5700	95 °	2.10
	545001002700	LEDHighbay-P4 80W-4000-50x95D	HID 250W	80	10400	130	4000	50 ° x 95 °	2.10
	545001014800	LEDHighbay-P4 80W-5700-50x95D	HID 250W	80	10400	130	5700	50 ° x 95 °	2.10
	545001003100	LEDHighbay-P4 115W-4000-50D	HID 400W	115	15000	130	4000	50 °	2.10
	545001014900	LEDHighbay-P4 115W-5700-50D	HID 400W	115	15000	130	5700	50 °	2.10
	545001003200	LEDHighbay-P4 115W-4000-95D	HID 400W	115	15000	130	4000	95 °	2.10
	545001015000	LEDHighbay-P4 115W-5700-95D	HID 400W	115	15000	130	5700	95 °	2.10
	545001003300	LEDHighbay-P4 115W-4000-50x95D	HID 400W	115	15000	130	4000	50 ° x 95 °	2.10
	545001015100	LEDHighbay-P4 115W-5700-50x95D	HID 400W	115	15000	130	5700	50 ° x 95 °	2.10
	545001001100	LEDHighbay-P4 155W-4000-60D	HID 400W	155	20000	130	4000	60 °	3.10
	545001015200	LEDHighbay-P4 155W-5700-60D	HID 400W	155	20000	130	5700	60 °	3.10
	545001001200	LEDHighbay-P4 155W-4000-100D	HID 400W	155	20000	130	4000	100 °	3.10
	545001012400	LEDHighbay-P4 155W-5700-100D	HID 400W	155	20000	130	5700	100 °	3.10
	545001003700	LEDHighbay-P4 155W-4000-60x100D	HID 400W	155	20000	130	4000	60 ° x 100 °	3.20
	545001015300	LEDHighbay-P4 155W-5700-60x100D	HID 400W	155	20000	130	5700	60 ° x 100 °	3.10
	545001001000	LEDHighbay-P4 230W-4000-60D	HID 600W	230	30000	130	4000	60 °	3.10
	545001015400	LEDHighbay-P4 230W-5700-60D	HID 600W	230	30000	130	5700	60 °	3.10
DALI	545001000900	LEDHighbay-P4 230W-4000-100D	HID 600W	230	30000	130	4000	100 °	3.10
	545001012300	LEDHighbay-P4 230W-5700-100D	HID 600W	230	30000	130	5700	100 °	3.10
	545001003900	LEDHighbay-P4 230W-4000-60x100D	HID 600W	230	30000	130	4000	60 ° x 100 °	3.20
	545001015500	LEDHighbay-P4 230W-5700-60x100D	HID 600W	230	30000	130	5700	60 ° x 100 °	3.10
	545001002800	LEDHighbay-P4 80W-DALI-4000-50D	HID 250W	80	10400	130	4000	50 °	2.10
	545001015600	LEDHighbay-P4 80W-DALI-5700-50D	HID 250W	80	10400	130	5700	50 °	2.10
	545001002900	LEDHighbay-P4 80W-DALI-4000-95D	HID 250W	80	10400	130	4000	95 °	2.10
	545001015700	LEDHighbay-P4 80W-DALI-5700-95D	HID 250W	80	10400	130	5700	95 °	2.10
	545001003000	LEDHighbay-P4 80W-DALI-4000-50x95D	HID 250W	80	10400	130	4000	50 ° x 95 °	2.10
	545001015800	LEDHighbay-P4 80W-DALI-5700-50x95D	HID 250W	80	10400	130	5700	50 ° x 95 °	2.10
	545001003400	LEDHighbay-P4 115W-DALI-4000-50D	HID 400W	115	15000	130	4000	50 °	2.10
	545001015900	LEDHighbay-P4 115W-DALI-5700-50D	HID 400W	115	15000	130	5700	50 °	2.10

	Item Code	Item Description	Equivalent to (W)	Power (W)	Lumen	Efficacy (lm/W)	CCT (K)	Beam angle	Weight (kg/pc)	
DALI	545001003500	LEDHighbay-P4 115W-DALI-4000-95D	HID 400W	115	15000	130	4000	95 °	2.10	
	545001016000	LEDHighbay-P4 115W-DALI-5700-95D	HID 400W	115	15000	130	5700	95 °	2.10	
	545001003600	LEDHighbay-P4 115W-DALI-4000-50x95D	HID 400W	115	15000	130	4000	50 ° x 95 °	2.10	
	545001016100	LEDHighbay-P4 115W-DALI-5700-50x95D	HID 400W	115	15000	130	5700	50 ° x 95 °	2.10	
	545001001300	LEDHighbay-P4 155W-DALI-4000-60D	HID 400W	155	20000	130	4000	60 °	3.20	
	545001016200	LEDHighbay-P4 155W-DALI-5700-60D	HID 400W	155	20000	130	5700	60 °	3.10	
	545001001400	LEDHighbay-P4 155W-DALI-4000-100D	HID 400W	155	20000	130	4000	100 °	3.20	
	545001016300	LEDHighbay-P4 155W-DALI-5700-100D	HID 400W	155	20000	130	5700	100 °	3.10	
	545001003800	LEDHighbay-P4 155W-DALI-4000-60x100D	HID 400W	155	20000	130	4000	60 ° x 100 °	3.20	
	545001016400	LEDHighbay-P4 155W-DALI-5700-60x100D	HID 400W	155	20000	130	5700	60 ° x 100 °	3.10	
	545001001500	LEDHighbay-P4 230W-DALI-4000-60D	HID 600W	230	30000	130	4000	60 °	3.20	
	545001016500	LEDHighbay-P4 230W-DALI-5700-60D	HID 600W	230	30000	130	5700	60 °	3.10	
	545001001600	LEDHighbay-P4 230W-DALI-4000-100D	HID 600W	230	30000	130	4000	100 °	3.20	
	545001016600	LEDHighbay-P4 230W-DALI-5700-100D	HID 600W	230	30000	130	5700	100 °	3.10	
	545001004000	LEDHighbay-P4 230W-DALI-4000-60x100D	HID 600W	230	30000	130	4000	60 ° x 100 °	3.20	
	545001016700	LEDHighbay-P4 230W-DALI-5700-60x100D	HID 600W	230	30000	130	5700	60 ° x 100 °	3.10	
	Smart	545001009700	LEDHighbay-P4 80W-4000-N-BLE	HID 250W	80	10400	130	4000	50 °	2.10
		545001009800	LEDHighbay-P4 80W-4000-W-BLE	HID 250W	80	10400	130	4000	95 °	2.10
		545001009600	LEDHighbay-P4 80W-4000-AS-BLE	HID 250W	80	10400	130	4000	50 ° x 95 °	2.10
545001024300		LEDHighbay-P4 80W-5700-N-BLE	HID 250W	80	10400	130	5700	50 °	2.10	
545001024400		LEDHighbay-P4 80W-5700-W-BLE	HID 250W	80	10400	130	5700	95 °	2.10	
545001024500		LEDHighbay-P4 80W-5700-AS-BLE	HID 250W	80	10400	130	5700	50 ° x 95 °	2.10	
545001009500		LEDHighbay-P4 115W-4000-N-BLE	HID 400W	115	15000	130	4000	50 °	2.10	
545001009400		LEDHighbay-P4 115W-4000-W-BLE	HID 400W	115	15000	130	4000	95 °	2.10	
545001009300		LEDHighbay-P4 115W-4000-AS-BLE	HID 400W	115	15000	130	4000	50 ° x 95 °	2.10	
545001024600		LEDHighbay-P4 115W-5700-N-BLE	HID 400W	115	15000	130	5700	50 °	2.10	
545001024700		LEDHighbay-P4 115W-5700-W-BLE	HID 400W	115	15000	130	5700	95 °	2.10	
545001024800		LEDHighbay-P4 115W-5700-AS-BLE	HID 400W	115	15000	130	5700	50 ° x 95 °	2.10	
545001009200		LEDHighbay-P4 155W-4000-N-BLE	HID 400W	155	20000	130	4000	60 °	3.10	
545001009100		LEDHighbay-P4 155W-4000-W-BLE	HID 400W	155	20000	130	4000	100 °	3.10	
545001009000		LEDHighbay-P4 155W-4000-AS-BLE	HID 400W	155	20000	130	4000	60 ° x 100 °	3.10	
545001024900		LEDHighbay-P4 155W-5700-N-BLE	HID 400W	155	20000	130	5700	60 °	3.10	
545001025000		LEDHighbay-P4 155W-5700-W-BLE	HID 400W	155	20000	130	5700	100 °	3.10	
545001025100		LEDHighbay-P4 155W-5700-AS-BLE	HID 400W	155	20000	130	5700	60 ° x 100 °	3.10	
545001008900		LEDHighbay-P4 230W-4000-N-BLE	HID 600W	230	30000	130	4000	60 °	3.10	
545001008800		LEDHighbay-P4 230W-4000-W-BLE	HID 600W	230	30000	130	4000	100 °	3.10	
545001008700	LEDHighbay-P4 230W-4000-AS-BLE	HID 600W	230	30000	130	4000	60 ° x 100 °	3.10		
545001025200	LEDHighbay-P4 230W-5700-N-BLE	HID 600W	230	30000	130	5700	60 °	3.10		
545001025300	LEDHighbay-P4 230W-5700-W-BLE	HID 600W	230	30000	130	5700	100 °	3.10		
545001025400	LEDHighbay-P4 230W-5700-AS-BLE	HID 600W	230	30000	130	5700	60 ° x 100 °	3.10		

DALI versions are compatible with central emergency lighting according to EN 50172.

Accessories



545098000500 (€ 13,00)
LEDHighbay-P4 Bracket-D330

545098000600 (€ 15,00)
LEDHighbay-P4 Bracket-D420



545098003500
LEDHighbay-P4 Reflector-D330

545098003600
LEDHighbay-P4 Reflector-D420



543098021900
LEDFixture-IP68-Connector-Kit-3



543098022000
LEDFixture-IP68-Connector-Kit-5



140044049
LEDHighbay-POLE-CT

Highbay Pole must be used in combination with Highbay Bracket.

Technical Specifications

Lifespan (L70B50)	70,000 h
Lifespan (L80B50)	50,000 h
On-/Off-cycles	100,000
Colour consistency (SDCM)	4
Dimmable	No / Yes (DALI/BLE)
Finishing	Grey 417U
Colour rendering index CRI	≥ 80
Degree of protection (IP)	IP66
Impact strength	IK08
Protection class	I
Risk group	RG1
Control gear included	Yes
Glow wire test	850 °C
Driver failure rate (at 5,000 hrs)	1 %
Power factor	≥ 0.9
Surge protection	4 kV

Electrical Supply

Frequency	50/60 Hz
Nominal voltage	220-240 V AC
DC input voltage	Yes, see Appendix 3

Mechanical Properties

Material housing	Aluminium
UV resistant	Yes
Optical material	Polycarbonate
Cover material	Polycarbonate

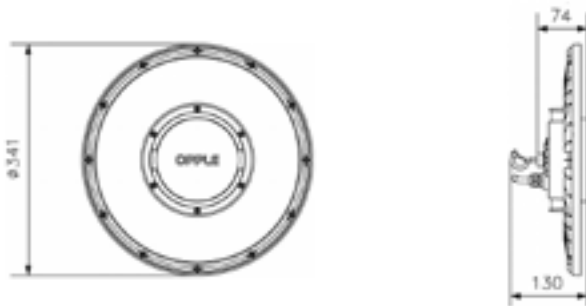
Ambient Conditions

Operating temperature	-30 ~ 50 °C
Application temperature	25 °C
Storage environment	-25 ~ 50 °C

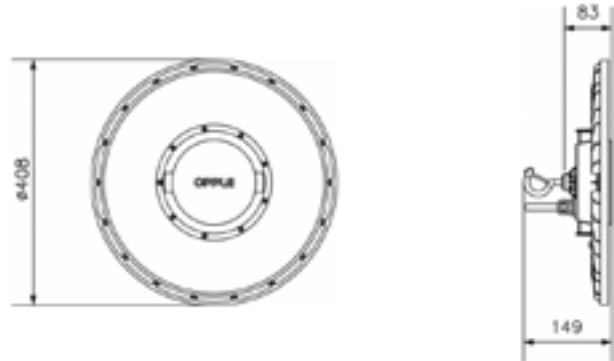


Dimensional Drawing (mm)

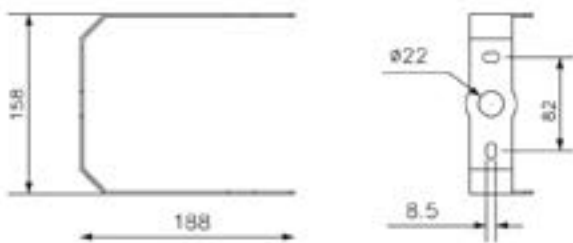
LEDHighbay-P4
80W & 115W



LEDHighbay-P4
155W & 230W

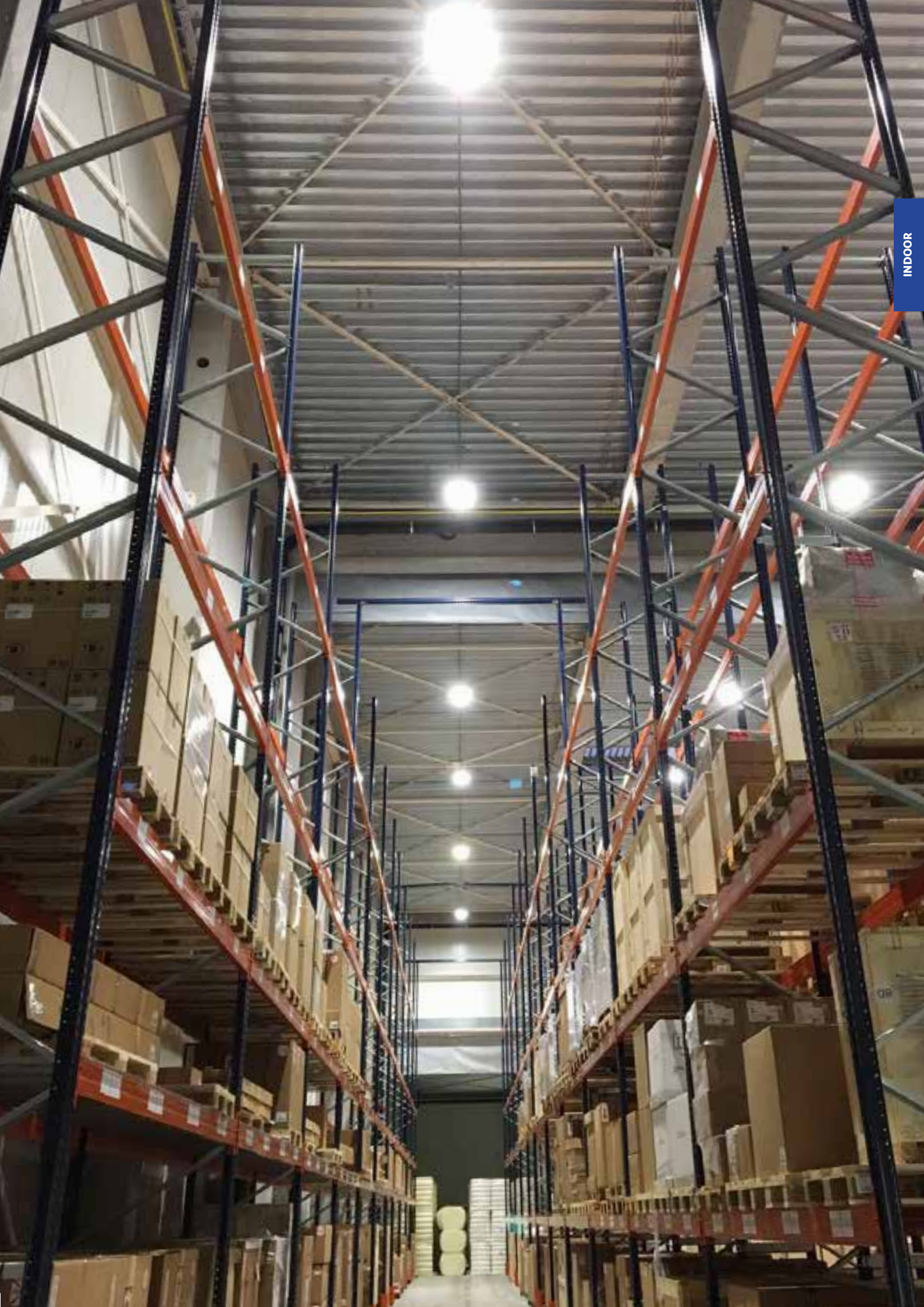


LEDHighbay-P4 Bracket-D330



LEDHighbay-P4 Bracket-D420







LED Highbay Ecomax

- Slim cost effective solution with integrated driver
- High efficacy up to 110 lm/W
- Up to 50% energy saving compared to HID solutions
- IP68 connector available as accessory



Specifications

Item Code	Item Description	Equivalent to (W)	Power (W)	Lumen	Efficacy (lm/W)	CCT (K)	Beam angle	Weight (kg/pc)
545001014500	LEDHighbay-E 95W-4000-100D	HID 250W	95	10450	110	4000	100 °	1.50
545001014400	LEDHighbay-E 140W-4000-100D	HID 400W	140	15400	110	4000	100 °	1.50
545001014300	LEDHighbay-E 185W-4000-100D	HID 400W	185	20400	110	4000	100 °	2.00
545001014200	LEDHighbay-E 95W-5700-100D	HID 250W	95	10450	110	5700	100 °	1.50
545001014100	LEDHighbay-E 140W-5700-100D	HID 400W	140	15400	110	5700	100 °	1.50
545001014000	LEDHighbay-E 185W-5700-100D	HID 400W	185	20400	110	5700	100 °	2.00

Accessories



543098021900
LEDFixture-IP68-Connector-Kit-3

Technical Specifications

Lifespan (L70B50)	50,000 h
Lifespan (L80B50)	30,000 h
On-/Off-cycles	100,000
Colour consistency (SDCM)	4
Dimmable	No
Finishing	Grey 417U
Colour rendering index CRI	≥ 80
Degree of protection (IP)	IP65
Impact strength	IK08
Protection class	I
Risk group	RG0
Control gear included	Yes
Glow wire test	650 °C
Driver failure rate (at 5,000 hrs)	0.05 %
Power factor	≥ 0.9
Surge protection	2 kV

Electrical Supply

Frequency	50/60 Hz
Nominal voltage	220-240 V AC
DC input voltage	Yes, see Appendix 3

Mechanical Properties

Material housing	Aluminium
Optical material	Polycarbonate
Cover material	Polycarbonate

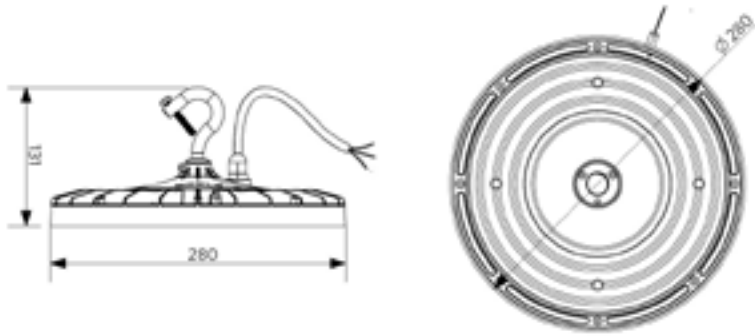
Ambient Conditions

Operating temperature	-25 ~ 45 °C
Application temperature	25 °C
Storage environment	-30 ~ 60 °C

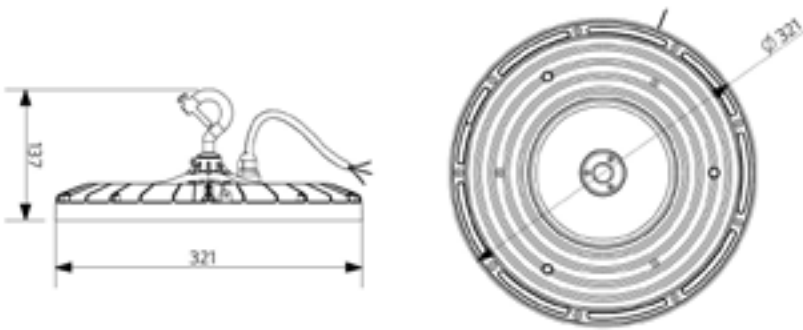


Dimensional Drawing (mm)

LEDHighbay-E
95W & 140W



LEDHighbay-E
185W



INDOOR





LED Waterproof Performer G2

- Waterproof luminaire with high efficacy up to 130 lm/W
- Up to 60% lower energy consumption compared to traditional TL lighting
- Equipped with 2x2.5mm² throughwiring
- Specific "sealed for life" design
- Supplied with stainless steel ceiling and suspension clips



Specifications

Item Code	Item Description	Equivalent to (W)	Power (W)	Lumen	Efficacy (lm/W)	CCT (K)	Internal wiring (mm ²)	Weight (kg/pc)
543022000200	LEDWaterproof-P2 L1563-75W-4000	TL 2x80W	75	9375	125	4000	2x2.5	2.30
543022000100	LEDWaterproof-P2 L1563-90W-4000	2x TLM 140W RS	90	11700	130	4000	2x2.5	2.30

Emergency lighting available on request (not for 90W).

Available on request with 3- or 5- pole Wieland GST18i connector.

Technical Specifications

Lifespan (L70B50)	70,000 h
Lifespan (L80B50)	50,000 h
On-/Off-cycles	100,000
Colour consistency (SDCM)	4
Dimmable	No
Beam angle	110 °
Finishing	Grey RAL 7035
Colour rendering index CRI	≥ 80
Degree of protection (IP)	IP65
Impact strength	IK08
Protection class	II
Risk group	RGO
Control gear included	Yes
Glow wire test	850 °C
Driver failure rate (at 5,000 hrs)	0.5 %
Power factor	≥ 0.9

Electrical Supply

Frequency	50/60 Hz
Nominal voltage	220-240 V AC
DC input voltage	Yes, see Appendix 3

Mechanical Properties

Material housing	Polycarbonate (PC)
UV resistant	Yes
Optical material	Polycarbonate
Ceiling clips	Stainless steel

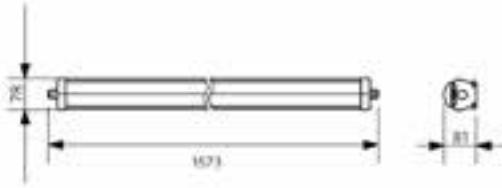
Ambient Conditions

Operating temperature	-20 ~ 40 °C
Application temperature	25 °C
Storage environment	-25 ~ 50 °C

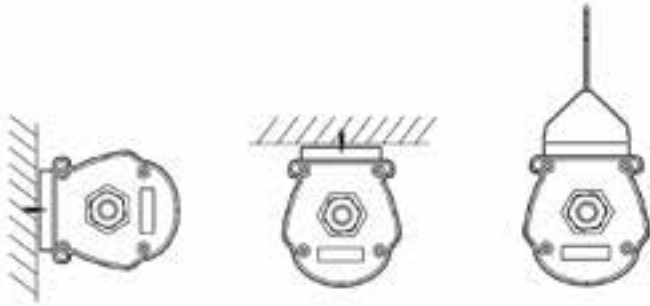


Dimensional Drawing (mm)

LEDWaterproof-P2 L1563



Installation Possibilities





LED Waterproof Performer G3

- Waterproof luminaire with high efficacy up to 135 lm/W
- Available as Smart Lighting solution (BLE) and DALI2
- Specific "sealed for life" design
- Quick installation thanks to its screwless endcap
- Supplied with vandal-proof stainless steel ceiling and suspension clips
- Special PLUS version with 2 additional wires (2x2.5mm²)



Specifications

Item Code	Item Description	Equivalent to (W)	Power (W)	Lumen	Efficacy (lm/W)	CCT (K)	Internal wiring (mm ²)	Weight (kg/pc)
543022015500	LEDWaterproof-P3 L710-12.5W-4000	TL 1x18W	12.5	1600	130	4000	3x2.5	0.89
543022015600	LEDWaterproof-P3 L710-24W-4000	TL 2x18W	24	3100	130	4000	3x2.5	0.89
543022015800	LEDWaterproof-P3 L1310-24W-4000	TL 1x36W	24	3100	130	4000	3x2.5	1.55
543022015700	LEDWaterproof-P3 L1310-38W-4000	TL 2x36W	38	5000	130	4000	3x2.5	1.55
543022015900	LEDWaterproof-P3 L1310-38W-6500	TL 2x36W	38	5000	130	6500	3x2.5	1.55
543022016000	LEDWaterproof-P3 L1610-31W-4000	TL 1x58W	31	4000	130	4000	3x2.5	1.71
543022016100	LEDWaterproof-P3 L1610-47W-4000	TL 2x58W	47	6100	130	4000	3x2.5	1.71
543022016200	LEDWaterproof-P3 L1610-54W-4000	TL 2x58W	54	7000	130	4000	3x2.5	1.71
543022016600	LEDWaterproof-P3 L1610-54W-6500	TL 2x58W	54	7000	130	6500	3x2.5	1.71
543022016300	LEDWaterproof-P3 L1310-38W-4000-PLUS	TL 2x36W	38	5000	130	4000	5x2.5	1.60
543022016400	LEDWaterproof-P3 L1610-31W-4000-PLUS	TL 1x58W	31	4000	130	4000	5x2.5	1.77
543022016500	LEDWaterproof-P3 L1610-54W-4000-PLUS	TL 2x58W	54	7000	130	4000	5x2.5	1.77
543022018200	LEDWaterproof-P3 L710-22W-4000-DALI	TL 2x18W	22	3000	135	4000	5x2.5	0.99
543022018500	LEDWaterproof-P3 L1310-36W-4000-DALI	TL 2x36W	36	5000	135	4000	5x2.5	1.51
543022018600	LEDWaterproof-P3 L1610-31W-4000-DALI	TL 1x58W	31	4200	135	4000	5x2.5	1.75
543022018800	LEDWaterproof-P3 L1610-51W-4000-DALI	TL 2x58W	51	7000	135	4000	5x2.5	1.75
543022018400	LEDWaterproof-P3 L1310-36W-6500-DALI	TL 2x36W	36	5000	135	6500	5x2.5	1.51
543022018900	LEDWaterproof-P3 L1610-51W-6500-DALI	TL 2x58W	51	7000	135	6500	5x2.5	1.75
543022019800	LEDWaterproof-P3 L710-22W-4000-BLE	TL 2x18W	22	3000	135	4000	3x2.5	0.99
543022019300	LEDWaterproof-P3 L1310-36W-4000-BLE	TL 2x36W	36	5000	135	4000	3x2.5	1.51
543022019400	LEDWaterproof-P3 L1610-31W-4000-BLE	TL 1x58W	31	4200	135	4000	3x2.5	1.75
543022019600	LEDWaterproof-P3 L1610-51W-4000-BLE	TL 2x58W	51	7000	135	4000	3x2.5	1.75

DALI versions are compatible with central emergency lighting according to EN 50172.

Emergency lighting available on request. Available on request with 3- or 5- pole Wieland GST18i connector.

Technical Specifications

Lifespan (L70B50)	70,000 h
Lifespan (L80B50)	50,000 h
On-/Off-cycles	100,000
Colour consistency (SDCM)	4
Dimmable	No / Yes (DALI/BLE)
Beam angle	110 °
Finishing	Grey RAL 7035
Colour rendering index CRI	≥ 80
Degree of protection (IP)	IP65
Impact strength	IK08
Protection class	II
Risk group	RG0
Control gear included	Yes
Glow wire test	850 °C
Driver failure rate (at 5,000 hrs)	0.5 %
Power factor	≥ 0.9
Input wire diameter	1mm ² - 2.5mm ²

Electrical Supply

Frequency	50/60 Hz
Nominal voltage	220-240 V AC
DC input voltage	Yes, see Appendix 3

Mechanical Properties

Material housing	Polycarbonate (PC)
UV resistant	Yes
Optical material	Polycarbonate
Ceiling clips	Stainless steel

Ambient Conditions

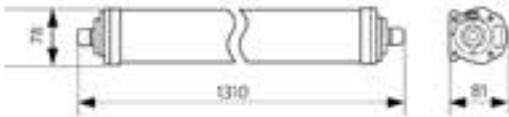
Operating temperature	-25 ~ 45 °C
Application temperature	25 °C
Storage environment	-25 ~ 50 °C



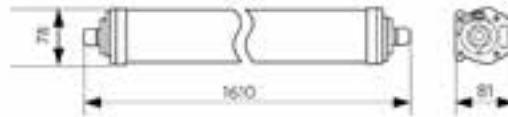
INDOOR

Dimensional Drawing (mm)

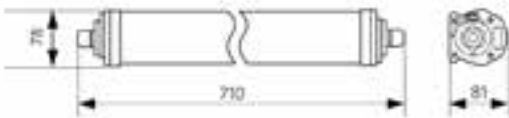
LEDWaterproof-P3 L1310



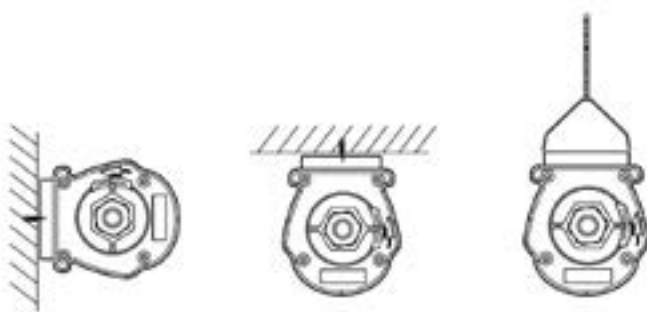
LEDWaterproof-P3 L1610



LEDWaterproof-P3 L710



Installation Possibilities





LED Waterproof EcoMax G2

- Waterproof luminaire in "sealed-for-life" concept
- 3 lengths and 6 lumen packages, with efficacy up to 120 lm/W
- Quick installation through the easy to open endcap
- Up to 50% lower energy consumption compared to traditional TL lighting
- Supplied with vandal-proof stainless steel ceiling and suspension clips
- Equipped with 3x2.5mm² throughwiring



Specifications

Item Code	Item Description	Equivalent to (W)	Power (W)	Lumen	Efficacy (lm/W)	CCT (K)	Internal wiring (mm ²)	Weight (kg/pc)
543022012600	LEDWaterproof-E2 L680-10W-4000	TL 1x18W	10	1200	120	4000	3x2.5	0.55
543022012500	LEDWaterproof-E2 L680-20W-4000	TL 2x18W	20	2400	120	4000	3x2.5	0.61
543022012400	LEDWaterproof-E2 L1310-18W-4000	TL 1x36W	18	2200	120	4000	3x2.5	0.97
543022012300	LEDWaterproof-E2 L1310-37W-4000	TL 2x36W	37	4450	120	4000	3x2.5	0.99
543022012200	LEDWaterproof-E2 L1310-37W-6500	TL 2x36W	37	4450	120	6500	3x2.5	0.99
543022012100	LEDWaterproof-E2 L1610-27W-4000	TL 1x58W	27	3250	120	4000	3x2.5	1.08
543022012000	LEDWaterproof-E2 L1610-50W-4000	TL 2x58W	50	6000	120	4000	3x2.5	1.13
543022011900	LEDWaterproof-E2 L1610-50W-6500	TL 2x58W	50	6000	120	6500	3x2.5	1.13

Technical Specifications

Lifespan (L70B50)	50,000 h
Lifespan (L80B50)	30,000 h
On-/Off-cycles	100,000
Colour consistency (SDCM)	4
Dimmable	No
Beam angle	120 °
Finishing	Grey RAL 7035
Colour rendering index CRI	≥ 80
Degree of protection (IP)	IP65
Impact strength	IK08
Protection class	II
Risk group	RG0
Control gear included	Yes
Glow wire test	850 °C
Driver failure rate (at 5,000 hrs)	0.5 %
Power factor	≥ 0.9
Input wire diameter	1mm ² - 2.5mm ²

Electrical Supply

Frequency	50/60 Hz
Nominal voltage	220-240 V AC
DC input voltage	Yes, see Appendix 3

Mechanical Properties

Material housing	Polycarbonate (PC)
UV resistant	Yes
Optical material	Polycarbonate

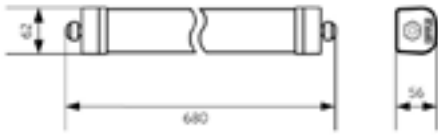
Ambient Conditions

Operating temperature	-20 ~ 45 °C
Application temperature	25 °C
Storage environment	-30 ~ 50 °C



Dimensional Drawing (mm)

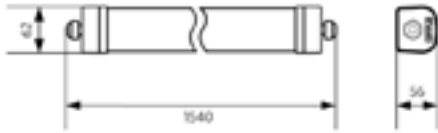
LEDWaterproof-E2 L680



LEDWaterproof-E2 L1310



LEDWaterproof-E2 L1610



Installation Possibilities





**NEW
VERSIONS**



LED Waterproof Basic

- NEW: Available with wirethrough (WT) for faster installation
- NEW: Now available in 6500K
- Cost effective "sealed-for-life" waterproof luminaire
- Up to 60% lower energy consumption compared to traditional TL lighting
- Quick installation through the easy to open endcap
- Supplied with stainless steel ceiling and suspension clips



Specifications

Item Code	Item Description	Equivalent to (W)	Power (W)	Lumen	Efficacy (lm/W)	CCT (K)	Wirethrough	Internal wiring (mm ²)	Weight (kg/pc)
543022006400	LEDWaterproof-B L1150-36W-4000	TL 2x36W	36	4000	110	4000	No	2x1.5	1.03
543022017900	LEDWaterproof-B L1150-36W-6500	TL 2x36W	36	4000	110	6500	No	2x1.5	1.11
543022006500	LEDWaterproof-B L1450-50W-4000	TL 2x58W	50	5500	110	4000	No	2x1.5	1.24
543022018000	LEDWaterproof-B L1450-50W-6500	TL 2x58W	50	5500	110	6500	No	2x1.5	1.34
543022017500	LEDWaterproof-B L1150-36W-4000-WT	TL 2x36W	36	4000	110	4000	Yes	2x1.5	1.03
543022017700	LEDWaterproof-B L1150-36W-6500-WT	TL 2x36W	36	4000	110	6500	Yes	2x1.5	1.11
543022017600	LEDWaterproof-B L1450-50W-4000-WT	TL 2x58W	50	5500	110	4000	Yes	2x1.5	1.24
543022017800	LEDWaterproof-B L1450-50W-6500-WT	TL 2x58W	50	5500	110	6500	Yes	2x1.5	1.34

Technical Specifications

Lifespan (L70B50)	30,000 h
On-/Off-cycles	100,000
Colour consistency (SDCM)	4
Dimmable	No
Beam angle	110 °
Finishing	Grey RAL 7035
Colour rendering index CRI	≥ 80
Degree of protection (IP)	IP65
Impact strength	IK08
Protection class	II
Risk group	RG0
Control gear included	Yes
Glow wire test	850 °C
Driver failure rate (at 5,000 hrs)	0.5 %
Power factor	≥ 0.9

Electrical Supply

Frequency	50/60 Hz
Nominal voltage	220-240 V AC
DC input voltage	Yes, see Appendix 3

Mechanical Properties

Material housing	Polycarbonate (PC)
UV resistant	Yes
Optical material	Polycarbonate

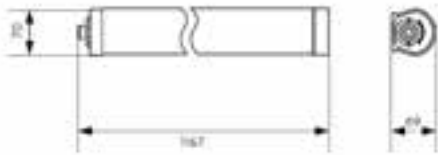
Ambient Conditions

Operating temperature	-20 ~ 45 °C
Application temperature	25 °C
Storage environment	-25 ~ 50 °C

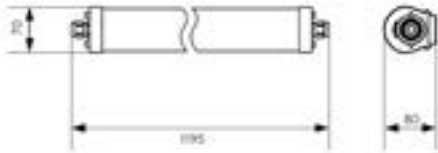


Produktmaße (mm)

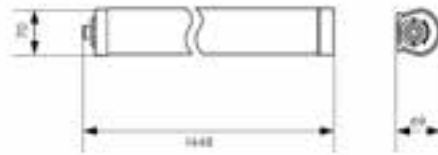
LEDWaterproof-B L1150-36W-4000
LEDWaterproof-B L1150-36W-6500



LEDWaterproof-B L1150-36W-4000-WT
LEDWaterproof-B L1150-36W-6500-WT



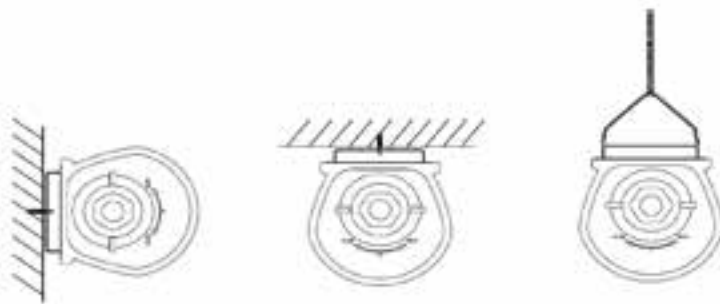
LEDWaterproof-B L1450-50W-4000
LEDWaterproof-B L1450-50W-6500



LEDWaterproof-B L1450-50W-4000-WT
LEDWaterproof-B L1450-50W-6500-WT



Installation Possibilities





LED Trunking

- Professional LED light line solution
- Simple installation with snap-in mounting of LED modules and trunks
- Huge energy saving up to 65% compared to conventional TL lighting
- Very high efficacy of 160 lm/W
- Multiple beam angles and powers available
- Extra energy saving by using DALI dimmable LED modules and fully customizable DALI sensors



Specifications

Item Code	Item Description	Equivalent to (W)	Power (W)	Lumen	Efficacy (lm/W)	CCT (K)	Beam angle	Weight (kg/pc)
542005008200	LEDTrunking Module L15-35W-4000-120	TL 2x58W	35	5600	160	4000	120 °	1.64
542005006000	LEDTrunking Module L15-50W-4000-60	TL 2x80W	50	8000	160	4000	60 °	1.64
542005005900	LEDTrunking Module L15-50W-4000-90	TL 2x80W	50	8000	160	4000	90 °	1.64
542005005800	LEDTrunking Module L15-50W-4000-120	TL 2x80W	50	8000	160	4000	120 °	1.64
542005006100	LEDTrunking Module L15-50W-4000-BW	TL 2x80W	50	8000	160	4000	Batwing	1.64
542005006400	LEDTrunking Module L15-70W-4000-60	2x TLM 140W RS	70	11200	160	4000	60 °	1.71
542005006300	LEDTrunking Module L15-70W-4000-90	2x TLM 140W RS	70	11200	160	4000	90 °	1.71
542005006200	LEDTrunking Module L15-70W-4000-120	2x TLM 140W RS	70	11200	160	4000	120 °	1.71
542005006500	LEDTrunking Module L15-70W-4000-BW	2x TLM 140W RS	70	11200	160	4000	Batwing	1.71
542005008600	LEDTrunking Module L15-35W-4000-120-DALI	TL 2x58W	35	5600	160	4000	120 °	1.64
542005006800	LEDTrunking Module L15-50W-4000-60-DALI	TL 2x80W	50	8000	160	4000	60 °	1.64
542005006700	LEDTrunking Module L15-50W-4000-90-DALI	TL 2x80W	50	8000	160	4000	90 °	1.64
542005006600	LEDTrunking Module L15-50W-4000-120-DALI	TL 2x80W	50	8000	160	4000	120 °	1.64
542005006900	LEDTrunking Module L15-50W-4000-BW-DALI	TL 2x80W	50	8000	160	4000	Batwing	1.64
542005007200	LEDTrunking Module L15-70W-4000-60-DALI	2x TLM 140W RS	70	11200	160	4000	60 °	1.71
542005007100	LEDTrunking Module L15-70W-4000-90-DALI	2x TLM 140W RS	70	11200	160	4000	90 °	1.71
542005007000	LEDTrunking Module L15-70W-4000-120-DALI	2x TLM 140W RS	70	11200	160	4000	120 °	1.71
542005007300	LEDTrunking Module L15-70W-4000-BW-DALI	2x TLM 140W RS	70	11200	160	4000	Batwing	1.71
542098002100	LEDTrunking Trunk 8 L15							1.75
542098002200	LEDTrunking Trunk 8 L15 End Part							1.40
542098002300	LEDTrunking Trunk 8 L30							3.30
542098002400	LEDTrunking Trunk 8 L30 End Part							2.95

Emergency lighting available on request. DALI versions are compatible with central emergency lighting according to EN 50172. For more technical information, please go to the appendix.

Accessories



Technical Specifications

Lifespan (L70B50)	70,000 h
On-/Off-cycles	100,000
Dimmable	Yes (DALI)
Finishing	White
Colour rendering index CRI	≥ 80
Degree of protection (IP)	IP20
Impact strength	IK02
Protection class	I
Control gear included	Yes
Power factor	≥ 0.9

Electrical Supply

Frequency	50/60 Hz
Nominal voltage	220-240 V AC
DC input voltage	No

Mechanical Properties

Material housing	Steel
------------------	-------

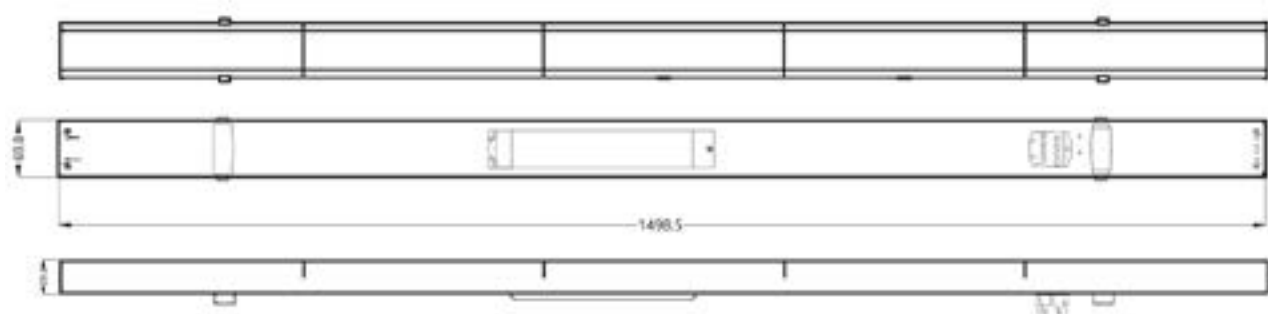
Ambient Conditions

Operating temperature	-10 ~ 40 °C
Application temperature	25 °C
Storage environment	-25 ~ 50 °C



Dimensional Drawing (mm)

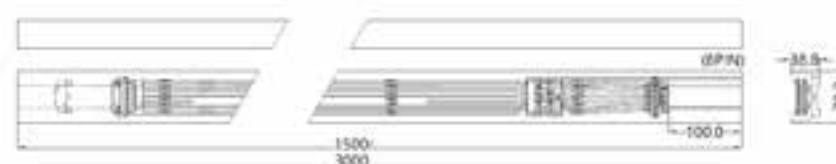
LEDTrunking Module L15



LEDTrunking Trunk 8



LEDTrunking Trunk 8 End part







Smart 12

Indoor 26

Outdoor 104

Lamps & Accessories 124

Extended Portfolio 144

Technical data 148

Glossary 164



LED Roadlight

- Available with step dimming or DALI dimming for increased energy savings
- Up to 60% energy saving compared to HID roadlights
- Advanced optical design optimized for road lighting
- Flexible and adjustable pole connector for both side entry and pole top mounting
- Robust die-cast aluminium body
- IP66 and coastline proof



Roadlight standard without pole adapter.

Specifications

Item Code	Item Description	Equivalent to (W)	Power (W)	Lumen	Efficacy (lm/W)	CCT (K)	Weight (kg/pc)
543014005800	LEDRoadlight-90W-4000-DALI	HID 150W	90	11250	125	4000	9.00
543014005700	LEDRoadlight-120W-4000-DALI	HID 150W	120	15000	125	4000	9.20
543014005600	LEDRoadlight-150W-4000-DALI	HID 250W	150	18750	125	4000	9.20
543014005500	LEDRoadlight-200W-4000-DALI	HID 250W	200	24000	120	4000	9.40
543014015700	LEDRoadlight-90W-4000-STEP	HID 150W	90	11250	125	4000	9.00
543014015900	LEDRoadlight-120W-4000-STEP	HID 150W	120	15000	125	4000	9.20
543014015600	LEDRoadlight-150W-4000-STEP	HID 250W	150	18750	125	4000	9.20
543014015800	LEDRoadlight-200W-4000-STEP	HID 250W	200	24000	120	4000	9.40

For more technical information, please go to the appendix.

Accessories



543098007000
Pole Adapter-Roadlight-60mm



599006051700
Pole Adapter-Roadlight-76mm

Technical Specifications

Lifespan (L70B50)	100,000 h
On-/Off-cycles	100,000
Colour consistency (SDCM)	6
Dimmable	Yes / Yes (DALI)
Beam angle	150 ° x 70 °
Maximum tilt angle	15 °
Finishing	Grey
Colour rendering index CRI	≥ 80
Degree of protection (IP)	IP66
Impact strength	IK08
Protection class	I
Control gear included	Yes
Glow wire test	850 °C
Driver failure rate (at 5,000 hrs)	0.5 %
Power factor	≥ 0.9
Surge protection	10 kV

Electrical Supply

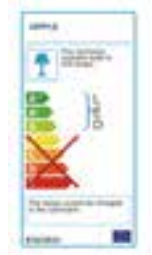
Frequency	50/60 Hz
Nominal voltage	220-240 V AC
DC input voltage	Yes, see Appendix 3

Mechanical Properties

Material housing	Aluminium
Optical material	Polycarbonate
Compatible pole Ø	48-76 mm
Effective wind area	1478 cm ²

Ambient Conditions

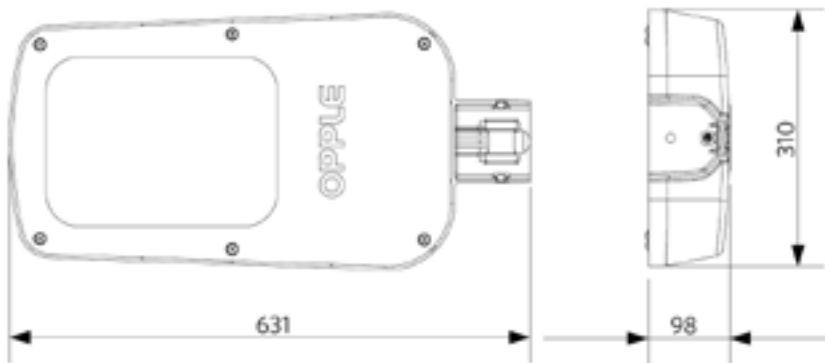
Operating temperature	-30 ~ 50 °C
Application temperature	25 °C
Storage environment	-30 ~ 65 °C



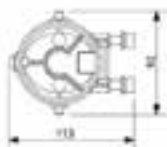
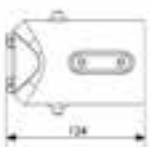
OUTDOOR

Dimensional Drawing (mm)

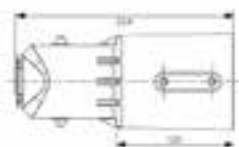
LEDRoadlight



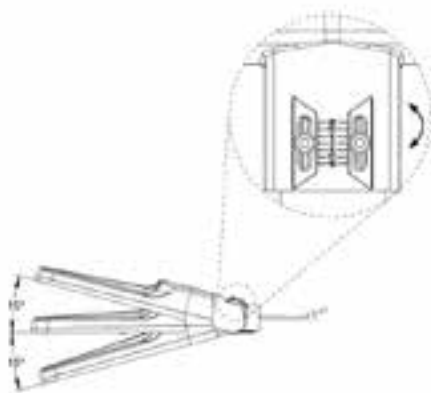
Pole Adapter-Roadlight-60mm



Pole Adapter-Roadlight-76mm



LEDRoadlight Tilting





LED Streetlight

- Up to 60% energy saving compared to HID streetlight
- High efficacy up to 125 lm/W
- Low glare & precise optical design
- Accessories available for many pole types
- 6m extension cable available
- IP65 and suitable for use on the coast



Specifications

Item Code	Item Description	Equivalent to (W)	Power (W)	Lumen	Efficacy (lm/W)	CCT (K)	Weight (kg/pc)
140065922	LEDStreetlight 20W-4000K-SE	HID 50W	20	2500	125	4000	1.25
140066385	LEDStreetlight 40W-4000K-SE	HID 70W	40	4600	115	4000	1.25
543014002700	LEDStreetlight 65W-4000K-SE	HID 100W	65	7475	115	4000	1.25

For more technical information, please go to the appendix.

Accessories



543098001100
LEDStreet-SE-Wall-Bracket



543098000800
LEDStreet-SE-Adapter-60



543098001000
LEDStreet-SE-Pole-Top-Adapter-60



543098000900
LEDStreet-SE-Pole-Top-Adapter-76



599000004600
LEDStreet-SE-ExtensionCable



543098021900
LEDFixture-IP68-Connector-Kit-3

Technical Specifications

Lifespan (L70B50)	70,000 h
Lifespan (L80B50)	50,000 h
On-/Off-cycles	100,000
Colour consistency (SDCM)	6
Dimmable	No
Beam angle	150 ° x 70 °
Finishing	Grey RAL 870-3
Colour rendering index CRI	≥ 80
Degree of protection (IP)	IP65
Impact strength	IK08
Protection class	I
Control gear included	Yes
Glow wire test	650 °C
Driver failure rate (at 5,000 hrs)	1 %
Power factor	1.0
Surge protection	4 kV

Electrical Supply

Frequency	50/60 Hz
Nominal voltage	220-240 V AC
DC input voltage	No

Mechanical Properties

Material housing	Aluminium
Optical material	Polycarbonate
Compatible pole Ø	36-42 mm
Effective wind area	385 cm ²

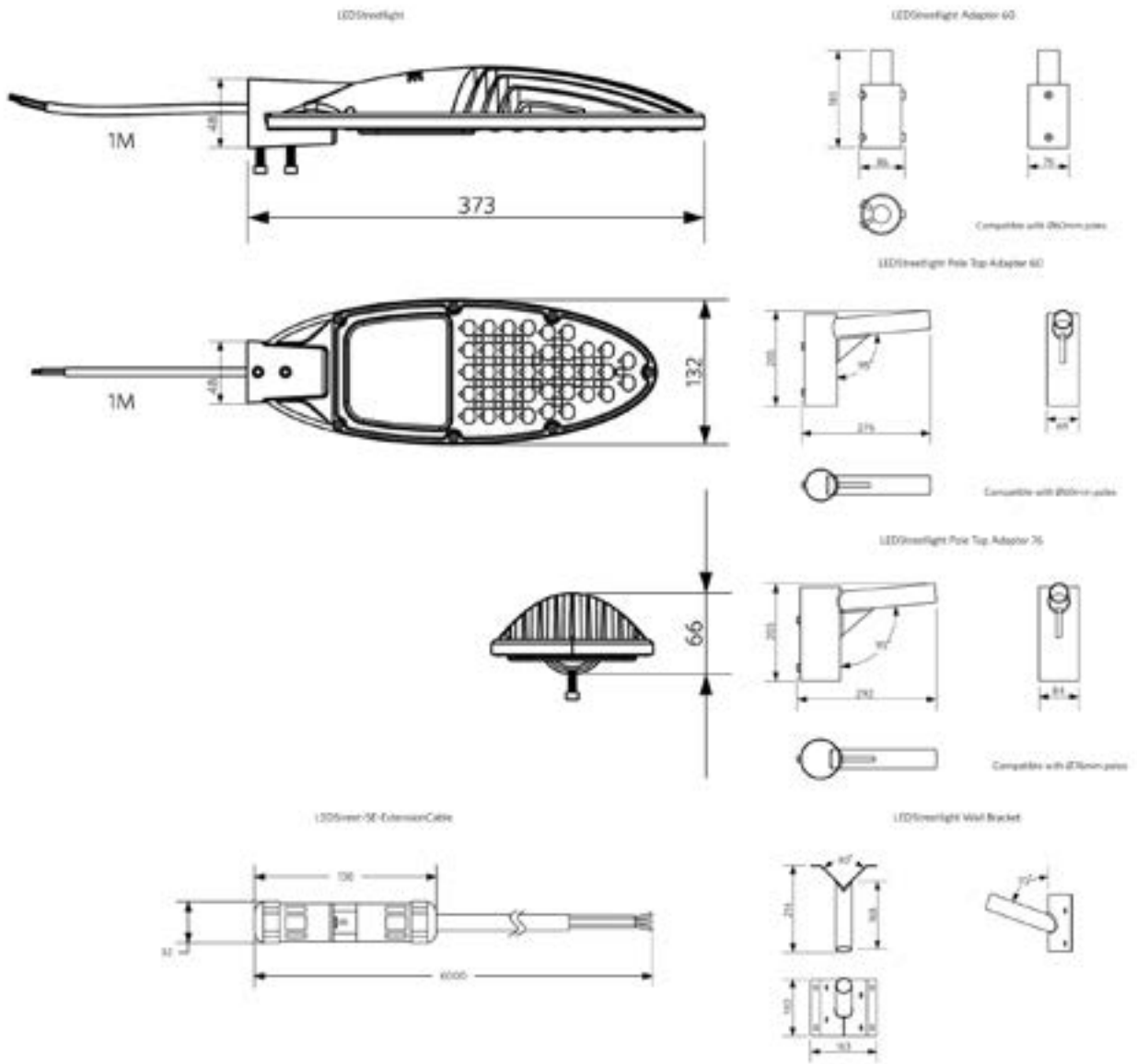
Ambient Conditions

Operating temperature	-40 ~ 50 °C
Application temperature	25 °C
Storage environment	-30 ~ 65 °C



Dimensional Drawing (mm)

LEDStreetlight



OUTDOOR





LED Flood HO

- Up to 40% energy saving compared to HID solutions
- Different optics to illuminate sport pitches (Class II/III NEN-EN 12193:2017) and open areas.
- Robust design: full IP66 and IK08 protection
- Equipped with 1-10V dimming for further energy saving
- Easy installation thanks to included IP68 connector
- Anodized aluminium heatsink, ideal for coastline environments



310W version standard including bracket. 620W version standard without bracket.
1240W versions available by combining two 620W modules and the mounting kit-4mod accessory.

Specifications

Item Code	Item Description	Equivalent to (W)	Power (W)	Lumen	Efficacy (lm/W)	CCT (K)	Beam angle	Effective wind area	Weight (kg/pc)
543017013300	LEDfloodHO-P-310W-5700-W	HID 500W	310	40000	130	5700	120 ° x 30 °	1110 cm ²	13.47
543017013200	LEDfloodHO-P-310W-5700-N	HID 500W	310	40000	130	5700	60 °	1110 cm ²	13.47
543017013100	LEDfloodHO-P-310W-5700-XN	HID 500W	310	40000	130	5700	25 °	1110 cm ²	13.47
543017012700	LEDfloodHO-P-620W-5700-W	HID 1000W	620	80000	130	5700	120 ° x 30 °	2331 cm ²	17.64
543017012600	LEDfloodHO-P-620W-5700-N	HID 1000W	620	80000	130	5700	60 °	2331 cm ²	17.64
543017012500	LEDfloodHO-P-620W-5700-XN	HID 1000W	620	80000	130	5700	25 °	2331 cm ²	17.64

Accessories



543098006000
LEDfloodHO-P-MountingKit-2Mod



543098005800
LEDfloodHO-P-MountingKit-4Mod



543098005900
LEDfloodHO-P-SafetyCable



599000004600
LEDStreet-SE-ExtensionCable

Technical Specifications

Lifespan (L70B50)	100,000 h
Lifespan (L80B50)	70,000 h
On-/Off-cycles	100,000
Colour consistency (SDCM)	6
Dimmable	Yes (1-10V)
Finishing	Black
Colour rendering index CRI	≥ 70
Degree of protection (IP)	IP66
Impact strength	IK08
Protection class	I
Control gear included	Yes
Glow wire test	850 °C
Driver failure rate (at 5,000 hrs)	1 %
Power factor	≥ 0.9
Surge protection	6 kV

Electrical Supply

Frequency	50/60 Hz
Nominal voltage	220-240 V AC
DC input voltage	Yes, see Appendix 3

Mechanical Properties

Material housing	Aluminium
Optical material	Polycarbonate
Cover material	Polycarbonate (PC)

Ambient Conditions

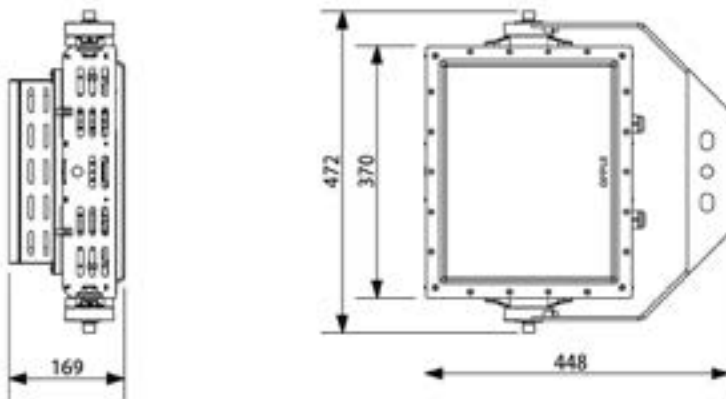
Operating temperature	-30 ~ 50 °C
Application temperature	25 °C
Storage environment	-30 ~ 60 °C



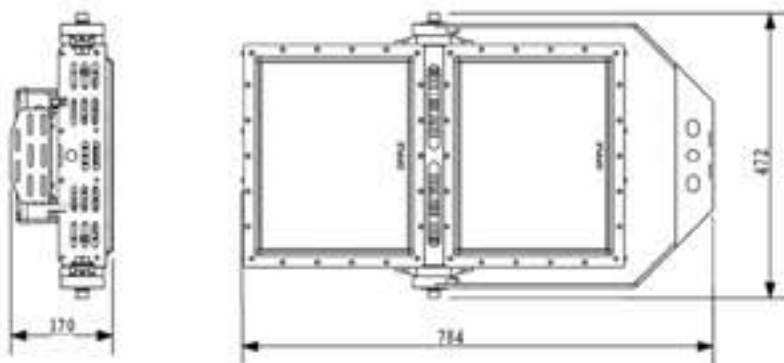
OUTDOOR

Dimensional Drawing (mm)

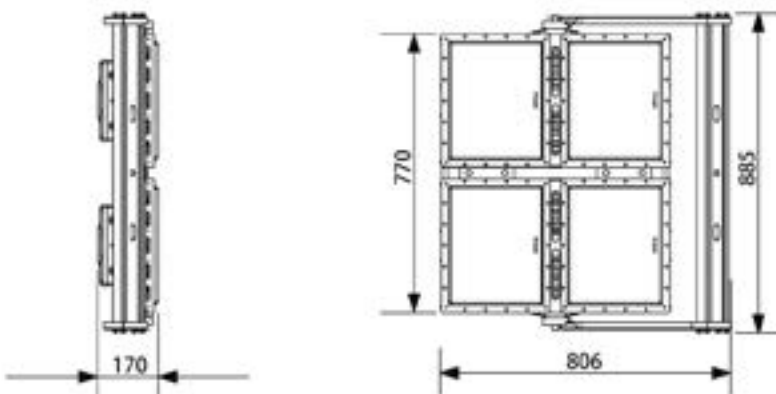
LEDfloodHO-P-310W



LEDfloodHO-P-620W
(+MountingKit-2Mod)



LEDfloodHO-P-620W
(x2 +MountingKit-4Mod)





LED Floodlight Performer 90W/125W/160W/220W

- NEW: Available in 32,000 lumens High Power version
- Super slim aluminium body with integrated heatsink and clipless cover
- Very high Efficacy of up to 145 lm/W
- High energy saving up to 65% compared to halogen and high pressure sodium lamps
- Wide (W), Asymmetric (AS) and Narrow (N) beam angles available
- Robust design with high protection against water and dust.
- Equipped with a valve to regulate pressure differences



Specifications

Item Code	Item Description	Equivalent to (W)	Power (W)	Lumen	Efficacy (lm/W)	CCT (K)	Beam angle	Colour rendering index CRI	Surge protection	Weight (kg/pc)
140062030	LED Flood-P Re440-90W-4000-W-BL	HID 250W	90	11250	125	4000	100 °	≥ 80	4 kV	6.20
140062031	LED Flood-P Re440-90W-4000-AS-BL	HID 250W	90	11250	125	4000	55 ° x 115 °	≥ 80	4 kV	6.20
140062032	LED Flood-P Re440-125W-4000-W-BL	HID 400W	125	15625	125	4000	100 °	≥ 80	4 kV	6.25
140062033	LED Flood-P Re440-125W-4000-AS-BL	HID 400W	125	15625	125	4000	55 ° x 115 °	≥ 80	4 kV	6.20
140062034	LED Flood-P Re440-160W-4000-W-BL	HID 400W	160	20000	125	4000	100 °	≥ 80	4 kV	6.20
140062035	LED Flood-P Re440-160W-4000-AS-BL	HID 400W	160	20000	125	4000	55 ° x 115 °	≥ 80	4 kV	6.25
543017041100	LED Flood-P Re440-220W-4000-N-BL	HID 500W	220	32000	145	4000	n/a	≥ 70	10 kV	6.41
543017026100	LED Flood-P Re440-220W-4000-W-BL	HID 500W	220	32000	145	4000	100 °	≥ 70	10 kV	6.41
543017026200	LED Flood-P Re440-220W-4000-AS-BL	HID 500W	220	32000	145	4000	55 ° x 115 °	≥ 70	10 kV	6.41
543017041200	LED Flood-P Re440-220W-5700-N-BL	HID 500W	220	32000	145	5700	50 °	≥ 70	10 kV	6.41
543017026300	LED Flood-P Re440-220W-5700-W-BL	HID 500W	220	32000	145	5700	100 °	≥ 70	10 kV	6.41
543017026400	LED Flood-P Re440-220W-5700-AS-BL	HID 500W	220	32000	145	5700	55 ° x 115 °	≥ 70	10 kV	6.41

Accessories



543098021900
LED Fixture-IP68-Connector-Kit-3



599000004600
LED Street-SE-Extension Cable

Technical Specifications

Lifespan (L70B50)	70,000 h
Lifespan (L80B50)	50,000 h
On-/Off-cycles	100,000
Colour consistency (SDCM)	4
Dimmable	No
Finishing	Black
Degree of protection (IP)	IP66
Impact strength	IK08
Protection class	I
Control gear included	Yes
Glow wire test	650 °C
Driver failure rate (at 5,000 hrs)	1%
Power factor	≥ 0.9

Electrical Supply

Frequency	50/60 Hz
Nominal voltage	220-240 V AC
DC input voltage	Yes, see Appendix 3

Mechanical Properties

Material housing	Die-casted Aluminum
Optical material	Polycarbonate
Cover material	Tempered glass

Ambient Conditions

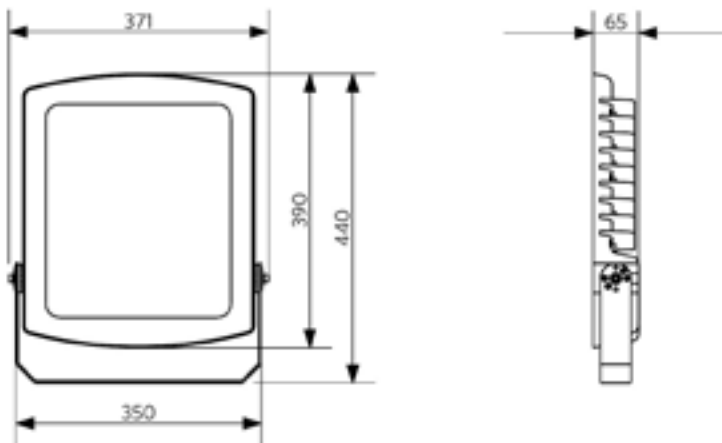
Operating temperature	-25 ~ 50 °C
Application temperature	25 °C
Storage environment	-30 ~ 60 °C



OUTDOOR

Dimensional Drawing (mm)

LEDflood-P Re440





LED Floodlight EcoMax G2 30W/50W/70W

- Slim aluminium body with integrated heatsink and clipless cover
- Robust and water- and dustproof
- High efficacy up to 100 lm/W
- High energy saving compared to halogen and high pressure sodium lamps
- Range from 3,000 to 7,000 lm
- Compatible brackets and ground spikes available
- IP65 daylight and motion sensor accessory available



Specifications

Item Code	Item Description	Equivalent to (W)	Power (W)	Lumen	Efficacy (lm/W)	CCT (K)	Beam angle	Weight (kg/pc)
543017012100	LED Flood-E2 Re199-30W-3000-BL	HID 50W	30	2850	95	3000	110 °	0.85
543017011800	LED Flood-E2 Re199-30W-4000-BL	HID 50W	30	3000	100	4000	110 °	0.85
543017012000	LED Flood-E2 Re253-50W-3000-BL	HID 70W	50	4750	95	3000	110 °	1.40
543017011700	LED Flood-E2 Re253-50W-4000-BL	HID 70W	50	5000	100	4000	110 °	1.40
543017011600	LED Flood-E2 Re283-70W-4000-BL	HID 150W	70	7000	100	4000	110 °	2.10

For more technical information, please go to the appendix.

Accessories



543098021900
LED Fixture-IP68-Connector-Kit-3



140065060
LED Flood-E-Motion-Daylight-Sensor



140060793
LED Flood-E-Re250-280-Bracket-BL



140060792
LED Flood-E-Re250-280-Spike-BL



599000004600
LED Street-SE-Extension Cable

Bracket extendable up to 60 cm.

Technical Specifications

Lifespan (L70B50)	50,000 h
Lifespan (L80B50)	30,000 h
On-/Off-cycles	100,000
Colour consistency (SDCM)	4
Dimmable	No
Finishing	Black
Colour rendering index CRI	≥ 80
Degree of protection (IP)	IP65
Impact strength	IK07
Protection class	I
Control gear included	Yes
Glow wire test	650 °C
Driver failure rate (at 5,000 hrs)	1 %
Power factor	≥ 0.9
Surge protection	2 kV

Electrical Supply

Frequency	50/60 Hz
Nominal voltage	220-240 V AC
DC input voltage	Yes, see Appendix 3

Mechanical Properties

Material housing	Aluminium
Optical material	Polycarbonate
Cover material	Tempered glass

Ambient Conditions

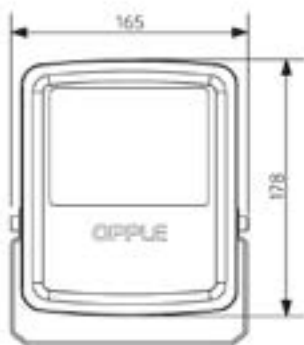
Operating temperature	-30 ~ 50 °C
Application temperature	25 °C
Storage environment	-30 ~ 60 °C



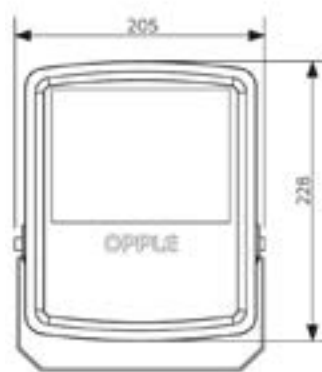
OUTDOOR

Dimensional Drawing (mm)

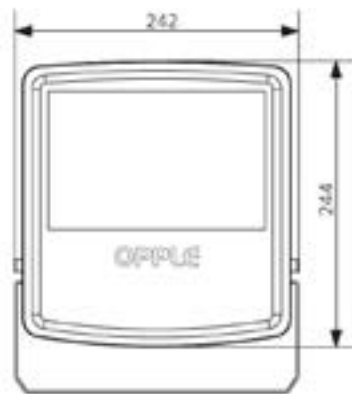
LEDflood-E2 Re199



LEDflood-E2 Re253



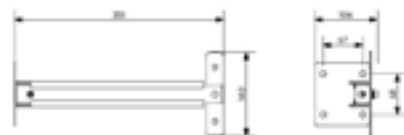
LEDflood-E2 Re283



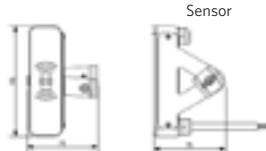
LEDflood-E-Re250-280-Spike

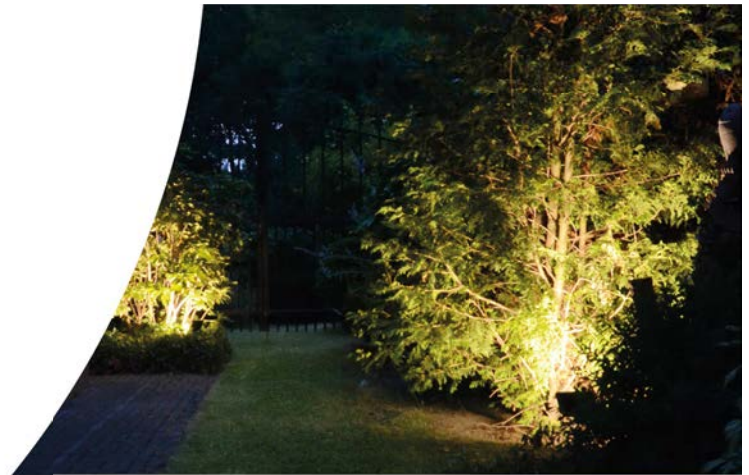


LEDflood-E-Re250-280-Bracket



LEDflood-E Sensor





LED Floodlight EcoMax G2 10W/19W

- Compact aluminium design with clipless cover
- IP66 protection level against water and dust
- High energy saving compared to halogen and high pressure sodium lamps
- Also available in 3000K and white housing
- Compatible brackets and ground spikes available
- IP65 daylight and motion sensor accessory available



Specifications

Item Code	Item Description	Equivalent to (W)	Power (W)	Lumen	Efficacy (lm/W)	CCT (K)	Beam angle	Weight (kg/pc)
543017020400	LED Flood-E2 Re113-10W-3000-BL	Halogen 50W	10	1050	105	3000	100 °	0.20
543006000600	LED Flood-E2 Re113-10W-4000-BL	Halogen 50W	10	1050	105	4000	100 °	0.20
543006000700	LED Flood-E2 Re127-19W-3000-BL	Halogen 100W	19	1900	100	3000	100 °	0.25
543006000800	LED Flood-E2 Re127-19W-4000-BL	Halogen 100W	19	1900	100	4000	100 °	0.25
543017020500	LED Flood-E2 Re113-10W-3000-WH	Halogen 50W	10	1050	105	3000	100 °	0.20
543006000900	LED Flood-E2 Re113-10W-4000-WH	Halogen 50W	10	1050	105	4000	100 °	0.20
543006001000	LED Flood-E2 Re127-19W-3000-WH	Halogen 100W	19	1900	100	3000	100 °	0.25
543006001100	LED Flood-E2 Re127-19W-4000-WH	Halogen 100W	19	1900	100	4000	100 °	0.25

For more technical information, please go to the appendix.

Accessories



543098021900
LED Fixture-IP68-Connector-Kit-3



140065060
LED Flood-E-Motion-Daylight-Sensor



140060790
LED Flood-E-Re150-Bracket-BL

140060791
LED Flood-E-Re150-Bracket-WH



140060789
LED Flood-E-Re150-Spike-BL



599000004600
LED Street-SE-Extension Cable

Bracket extendable up to 60 cm.

Technical Specifications

Lifespan (L70B50)	50,000 h
Lifespan (L80B50)	30,000 h
On-/Off-cycles	100,000
Colour consistency (SDCM)	4
Dimmable	No
Finishing	White / Black
Colour rendering index CRI	≥ 80
Degree of protection (IP)	IP66
Impact strength	IK07
Protection class	I
Control gear included	Yes
Glow wire test	850 °C
Driver failure rate (at 5,000 hrs)	0.5 %
Power factor	≥ 0.9
Surge protection	2.5 kV

Electrical Supply

Frequency	50/60 Hz
Nominal voltage	220-240 V AC
DC input voltage	Yes, see Appendix 3

Mechanical Properties

Material housing	Die-casted Aluminum
Optical material	Polycarbonate
Cover material	Polycarbonate (PC)

Ambient Conditions

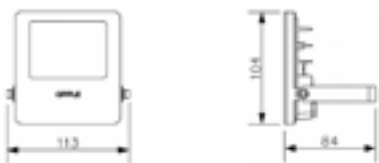
Operating temperature	30 - 50 °C
Application temperature	25 °C
Storage environment	-30 ~ 60 °C



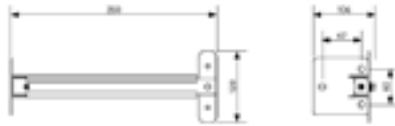
OUTDOOR

Dimensional Drawing (mm)

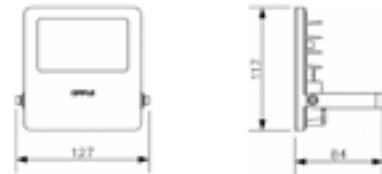
LEDflood-E2 Re113



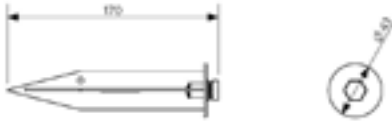
LEDflood-E-Re150-Bracket



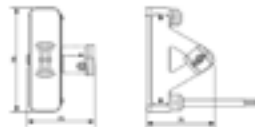
LEDflood-E2 Re127



LEDflood-E-Re150-Spike



LEDflood-E Sensor





LED Floodlight Basic

- Replacement of halogen and up to 150W HID
- Wide power range from 10W to 70W
- Slim and compact body design due to integrated driver
- IP65 & IK07 for both indoor and outdoor applications
- Compatible brackets and ground spikes available
- IP65 daylight and motion sensor accessory available



Specifications

Item Code	Item Description	Equivalent to (W)	Power (W)	Lumen	Efficacy (lm/W)	CCT (K)	Beam angle	Weight (kg/pc)
543017000200	LED Flood-B Re125-10W-4000	Halogen 50W	10	800	80	4000	100 °	0.30
543017000300	LED Flood-B Re170-20W-4000	Halogen 100W	20	1700	85	4000	100 °	0.50
543017000400	LED Flood-B Re191-30W-4000	HID 50W	30	2500	85	4000	100 °	0.65
543017009900	LED Flood-B Re217-50W-4000	HID 70W	50	4250	85	4000	100 °	1.25
543017010000	LED Flood-B Re266-70W-4000	HID 150W	70	5950	85	4000	100 °	1.53

For more technical information, please go to the appendix.

Accessories



543098021900
LED Fixture-IP68-Connector-Kit-3



140065060
LED Flood-E-Motion-Daylight-Sensor



140060790
LED Flood-E-Re150-Bracket-BL

140060793
LED Flood-E-Re250-280-Bracket-BL



140060789
LED Flood-E-Re150-Spike-BL

140060792
LED Flood-E-Re250-280-Spike-BL



599000004600
LED Street-SE-Extension Cable

For more technical information, please go to the appendix.

Technical Specifications

Lifespan (L70B50)	30,000 h
On-/Off-cycles	100,000
Colour consistency (SDCM)	6
Dimmable	No
Finishing	Black
Colour rendering index CRI	≥ 80
Degree of protection (IP)	IP65
Impact strength	IK07
Protection class	I / II (10W, 20W, 30W)
Control gear included	Yes
Glow wire test	650 °C
Driver failure rate (at 5,000 hrs)	1 %
Power factor	≥ 0.9

Electrical Supply

Frequency	50/60 Hz
Nominal voltage	220-240 V AC
DC input voltage	Yes, see Appendix 3

Mechanical Properties

Material housing	PPS (10W, 20W, 30W) / Aluminum (50W, 70W)
Optical material	Polycarbonate
Cover material	PC + Glass

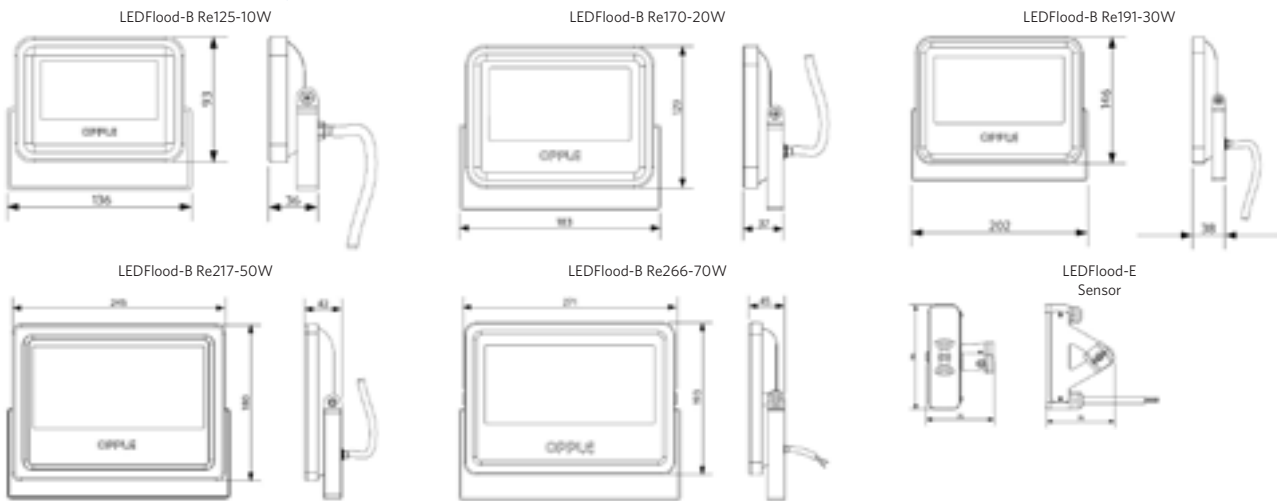
Ambient Conditions

Operating temperature	-30 ~ 50 °C
Application temperature	25 °C
Storage environment	-40 ~ 80 °C



OUTDOOR

Dimensional Drawing (mm)





LED Porchlight EcoMax

- Master Porchlight with integrated motion detector and daylight sensor (MD-versions)
- One Master Porchlight (MD) can control up to 10 Porchlight fixtures
- Automatic dimming to 20% light level in case of no movement detection (MD-versions)
- Detection range, hold time and daylight sensor settings can be easily customized via DIP switch
- Energy saving up to 50% compared to compact fluorescent based fixtures
- Further energy saving by the automatic dimming feature



Specifications

Item Code	Item Description	Equivalent to (W)	Power (W)	Lumen	Efficacy (lm/W)	CCT (K)	With sensor	Weight (kg/pc)
140064477	LEDPorch-E Re120-5W-3000K-WH	TL 8W	5	450	90	3000	No	0.83
140064478	LEDPorch-E Re120-5W-4000K-WH	TL 8W	5	500	100	4000	No	0.83
140064479	LEDPorch-E Re120-6W-3000K-MD-WH	TL 8W	6	480	80	3000	Yes	0.87
140064480	LEDPorch-E Re120-6W-4000K-MD-WH	TL 8W	6	510	85	4000	Yes	0.87
140064481	LEDPorch-E Re120-8W-3000K-WH	CFL 11W	8	720	90	3000	No	0.83
140064482	LEDPorch-E Re120-8W-4000K-WH	CFL 11W	8	800	100	4000	No	0.83
140064483	LEDPorch-E Re120-9W-3000K-MD-WH	CFL 11W	9	765	85	3000	Yes	0.87
140064484	LEDPorch-E Re120-9W-4000K-MD-WH	CFL 11W	9	810	90	4000	Yes	0.87

Emergency lighting available on request.

For more technical information, please go to the appendix.

Technical Specifications

Lifespan (L70B50)	50,000 h
Lifespan (L80B50)	30,000 h
On-/Off-cycles	100,000
Colour consistency (SDCM)	6
Dimmable	Yes (DIM)
Finishing	White
Colour rendering index CRI	≥ 80
Degree of protection (IP)	IP65
Impact strength	IK10
Protection class	II
Control gear included	Yes
Glow wire test	650 °C
Driver failure rate (at 5,000 hrs)	0.5 %
Power factor	≥ 0.9

Electrical Supply

Frequency	50/60 Hz
Nominal voltage	220-240 V AC
DC input voltage	Yes, see Appendix 3

Mechanical Properties

Material housing	Polycarbonate (PC)
Optical material	Polycarbonate

Ambient Conditions

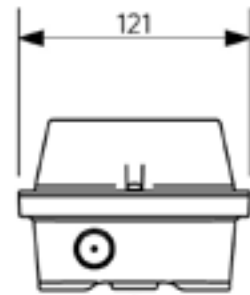
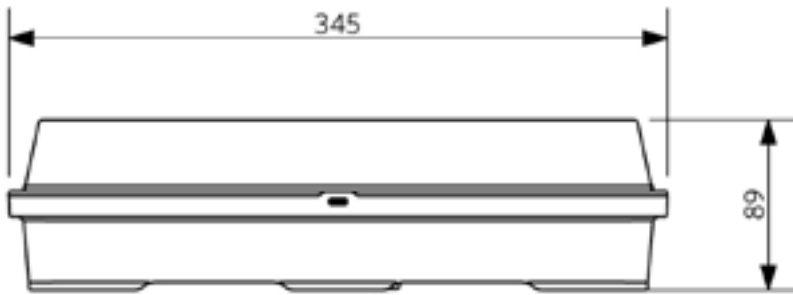
Operating temperature	-30 ~ 50 °C
Application temperature	25 °C
Storage environment	-30 ~ 60 °C



OUTDOOR

Dimensional Drawing (mm)

LEDPorch-E Re120





NEW



LED Wall-Mounted Performer

- Robust, waterproof luminaire with high degree impact protection
- Well integrated in architecture and comfortable light distribution
- Available with integrated motion/daylight sensor and 3-step dimming
- Energy savings up to 60% compared to compact fluorescent based fixtures
- Integrated CCT switch for color selection (3000K-4000K)
- Luminaires with sensor and without sensor can be combined as Master/Slave
- Connection up to 2.5mm² and including through-wiring
- Designed to be easy to install and maintain



Specifications

Item Code	Item Description	Equivalent to (W)	Power (W)	Lumen	Efficacy (lm/W)	CCT (K)	With sensor	Weight (kg/pc)
543011000600	LEDWall-Mounted-P Rd300-15W	CFL 2x18W	15	1750	115	3000/4000	No	1.30
543011000500	LEDWall-Mounted-P Rd300-16W-MD	CFL 2x18W	16	1750	110	3000/4000	Yes	1.40
543011000400	LEDWall-Mounted-P Rd300-21W	CFL 2x26W	21	2550	120	3000/4000	No	1.32
543011000300	LEDWall-Mounted-P Rd300-22W-MD	CFL 2x26W	22	2550	115	3000/4000	Yes	1.42

Emergency lighting available on request.
For more technical information, please go to the appendix.

Technical Specifications	
Lifespan (L70B50)	50,000 h
Lifespan (L80B50)	30,000 h
On-/Off-cycles	100,000
Colour consistency (SDCM)	4
Dimmable	Yes
Finishing	White RAL9003
Colour rendering index CRI	≥ 80
Degree of protection (IP)	IP65
Impact strength	IK10
Protection class	II
Control gear included	Yes
Glow wire test	850 °C
Driver failure rate (at 5,000 hrs)	0.5 %
Power factor	≥ 0.9

Electrical Supply	
Frequency	50/60 Hz
Nominal voltage	220-240 V AC
DC input voltage	Yes, see Appendix 3

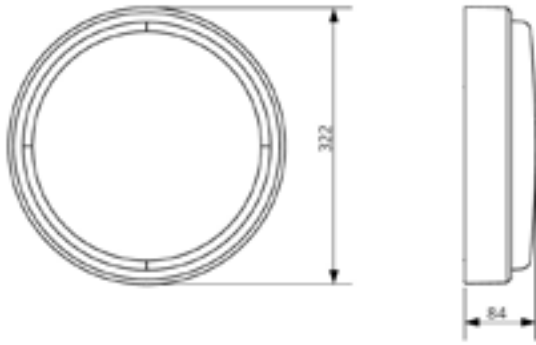
Mechanical Properties	
Material housing	Polycarbonate (PC)
Optical material	Polycarbonate

Ambient Conditions	
Operating temperature	-30 ~ 50 °C
Application temperature	25 °C
Storage environment	-30 ~ 60 °C



Dimensional Drawing (mm)

LEDWall-Mounted-P Rd300



OUTDOOR







Smart	12
Indoor	26
Outdoor	104
Lamps & Accessories	124
Extended Portfolio	144
Technical data	148
Glossary	164



LED Filament A60

- Classic light bulb shape ensures an easy replacement
- Instant 100% light when switched on and no startup time
- No UV / IR radiance so there is less risk of damage
- 4000K available for Frosted A60 lamps
- Up to 86% less energy consumption than traditional bulbs



Specifications

Item Code	Item Description	Equivalent to (W)	Power (W)	Lumen	Efficacy (lm/W)	CCT (K)	Energy Level	Weight (kg/pc)
500010001400	LED-E-A60-FILA-E27-4W-2700K-CL	GLS 40W	4	470	118	2700	A+	0.03
500010001500	LED-E-A60-FILA-E27-7W-2700K-CL	GLS 60W	7	806	115	2700	A+	0.03
500010001100	LED-E-A60-FILA-E27-4.5W-DIM-2700K-CL	GLS 40W	4.5	470	104	2700	A+	0.03
500010001000	LED-E-A60-FILA-E27-7W-DIM-2700K-CL	GLS 60W	7	806	115	2700	A+	0.03
500010001900	LED-E-A60-FILA-E27-4.5W-DIM-2700K-FR	GLS 40W	4.5	470	104	2700	A+	0.03
500010001200	LED-E-A60-FILA-E27-7W-DIM-2700K-FR	GLS 60W	7	806	115	2700	A+	0.04
500010001300	LED-E-A60-FILA-E27-4.5W-DIM-4000K-FR	GLS 40W	4.5	470	104	4000	A+	0.03
500010000400	LED-E-A60-FILA-E27-7W-DIM-4000K-FR	GLS 60W	7	806	115	4000	A+	0.04

See appendix for dimmer compatibility list.

Technical Specifications

Lifespan (L70B50)	15,000 h
On-/Off-cycles	100,000
Dimmable	No / Yes (DIM)
Beam angle	360 °
Finishing	Transparent / Frosted
Colour rendering index CRI	≥ 80

Electrical Supply

Frequency	50/60 Hz
Nominal voltage	220-240 V AC
DC input voltage	No

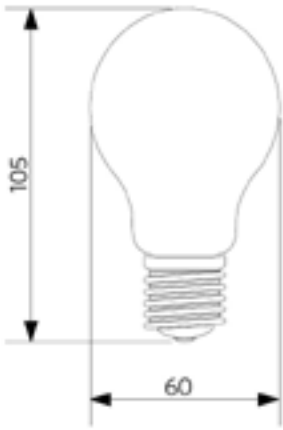
Ambient Conditions

Operating temperature	-20 ~ 40 °C
Application temperature	25 °C
Storage environment	-25 ~ 50 °C



Dimensional Drawing (mm)

LED-E-A60-FILA





LED Filament B35

- Classic light bulb shape ensures an easy replacement
- Instant 100% light when switched on and no startup time
- No UV / IR radiance so there is less risk of damage
- Up to 86% less energy consumption than traditional bulbs



Specifications

Item Code	Item Description	Equivalent to (W)	Power (W)	Lumen	Efficacy (lm/W)	CCT (K)	Energy Level	Weight (kg/pc)
500011000500	LED-E-B35-FILA-E14-2.8W-2700K-CL	GLS 25W	2.8	250	89	2700	A+	0.01
500011000300	LED-E-B35-FILA-E14-4W-2700K-CL	GLS 40W	4	470	118	2700	A+	0.01
500011000200	LED-E-B35-FILA-E14-4.5W-DIM-2700K-CL	GLS 40W	4.5	470	104	2700	A+	0.01
500011000400	LED-E-B35-FILA-E14-2.8W-DIM-2700K-FR	GLS 25W	2.8	250	89	2700	A+	0.02
500011000100	LED-E-B35-FILA-E14-4.5W-DIM-2700K-FR	GLS 40W	4.5	470	104	2700	A+	0.02

See appendix for dimmer compatibility list.

Technical Specifications

Lifespan (L70B50)	15,000 h
On-/Off-cycles	100,000
Dimmable	No / Yes (DIM)
Beam angle	360 °
Finishing	Transparent / Frosted
Colour rendering index CRI	≥ 80

Electrical Supply

Frequency	50/60 Hz
Nominal voltage	220-240 V AC
DC input voltage	No

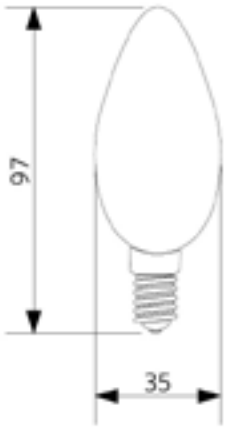
Ambient Conditions

Operating temperature	-20 ~ 40 °C
Application temperature	25 °C
Storage environment	-25 ~ 50 °C



Dimensional Drawing (mm)

LED-E-B35-FILA





LED Filament Mini Globe

- Classic light bulb shape ensures an easy replacement
- Instant 100% light when switched on and no startup time
- No UV / IR radiance so there is less risk of damage
- Up to 86% less energy consumption than traditional bulbs



Specifications

Item Code	Item Description	Equivalent to (W)	Power (W)	Lumen	Efficacy (lm/W)	CCT (K)	Energy Level	Weight (kg/pc)
500010000600	LED-E-P45-FILA-E14-2.8W-2700K-CL	GLS 25W	2.8	250	89	2700	A+	0.01
500010001800	LED-E-P45-FILA-E14-4W-2700K-CL	GLS 40W	4	470	118	2700	A+	0.01
500010001700	LED-E-P45-FILA-E14-4.5W-DIM-2700K-CL	GLS 40W	4.5	470	104	2700	A+	0.01
500010000500	LED-E-P45-FILA-E14-2.8W-DIM-2700K-FR	GLS 25W	2.8	250	89	2700	A+	0.02
500010000700	LED-E-P45-FILA-E14-4.5W-DIM-2700K-FR	GLS 40W	4.5	470	104	2700	A+	0.02
500010002000	LED-E-G45-FILA-E27-2.8W-2700K-CL	GLS 25W	2.8	250	89	2700	A+	0.01
500010000900	LED-E-G45-FILA-E27-4.5W-DIM-2700K-CL	GLS 40W	4.5	470	104	2700	A+	0.02
500010000800	LED-E-G45-FILA-E27-2.8W-DIM-2700K-FR	GLS 25W	2.8	250	89	2700	A+	0.02
500010001600	LED-E-G45-FILA-E27-4.5W-DIM-2700K-FR	GLS 40W	4.5	470	104	2700	A+	0.02

See appendix for dimmer compatibility list.

Technical Specifications

Lifespan (L70B50)	15,000 h
On-/Off-cycles	100,000
Dimmable	No / Yes (DIM)
Beam angle	360 °
Finishing	Transparent / Frosted
Colour rendering index CRI	≥ 80

Electrical Supply

Frequency	50/60 Hz
Nominal voltage	220-240 V AC
DC input voltage	No

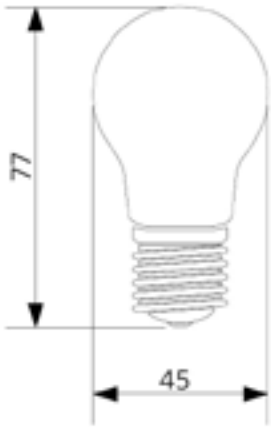
Ambient Conditions

Operating temperature	-20 ~ 40 °C
Application temperature	25 °C
Storage environment	-25 ~ 50 °C

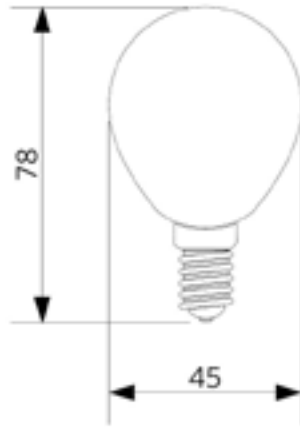


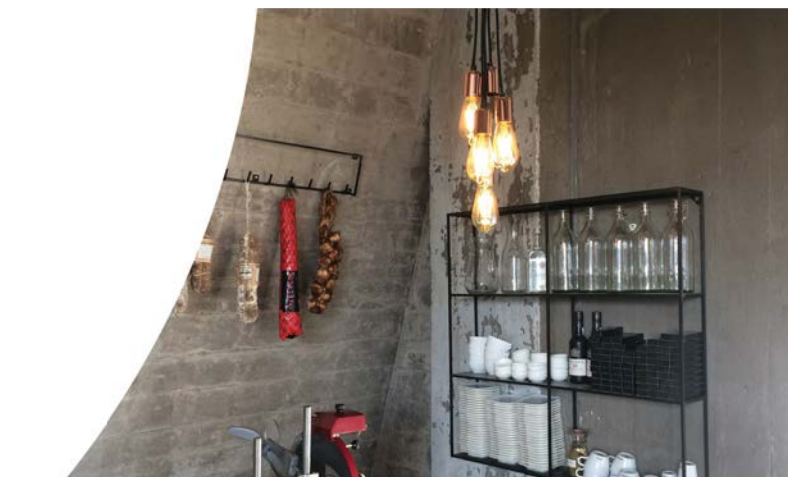
Dimensional Drawing (mm)

LED-E-G45-FILA



LED-E-P45-FILA





LED Filament ST64

- Classic light bulb shape ensures an easy replacement
- Instant 100% light when switched on and no startup time
- No UV / IR radiance so there is less risk of damage
- Up to 86% less energy consumption than traditional bulbs
- Available in 2200K and 2700K



Specifications

Item Code	Item Description	Equivalent to (W)	Power (W)	Lumen	Efficacy (lm/W)	CCT (K)	Energy Level	Weight (kg/pc)
500012000300	LED-E-ST64-FILA-E27-4.5W-DIM-2700K-CL	GLS 40W	4.5	470	104	2700	A+	0.05
500012000100	LED-E-ST64-FILA-E27-7W-DIM-2700K-CL	GLS 60W	7	806	115	2700	A+	0.05
500012000200	LED-E-ST64-FILA-E27-4.5W-DIM-2200K-CL	GLS 40W	4.5	400	89	2200	A+	0.05
500012000400	LED-E-ST64-FILA-E27-7W-DIM-2200K-CL	GLS 60W	7	700	100	2200	A+	0.05

See appendix for dimmer compatibility list.

Technical Specifications

Lifespan (L70B50)	15,000 h
On-/Off-cycles	100,000
Dimmable	Yes (DIM)
Beam angle	360 °
Finishing	Transparent
Colour rendering index CRI	≥ 80

Electrical Supply

Frequency	50/60 Hz
Nominal voltage	220-240 V AC
DC input voltage	No

Ambient Conditions

Operating temperature	-20 ~ 40 °C
Application temperature	25 °C
Storage environment	-25 ~ 50 °C



Dimensional Drawing (mm)

LED-E-ST64-FILA





LED Reflector EcoMax GU10

- Full retrofit of existing halogen GU10 lamps
- Dimmable versions available up to 575lm
- Available in 3000K and 4000K
- Light silver coloured
- No UV/IR radiation
- Significantly lower heat output than halogen, avoiding discolouration and risk of damaging goods
- Up to 87% lower energy consumption than halogen



See appendix for dimmer compatibility list.

Specifications

Item Code	Item Description	Equivalent to (W)	Power (W)	Lumen	Efficacy (lm/W)	CCT (K)	Energy Level	Weight (kg/pc)
140060948	LED-E-GU10-3,5W-3000K-36D-DIM	Halogen 35W	3.5	245	70	3000	A+	0.03
140060952	LED-E-GU10-3,5W-4000K-36D-DIM	Halogen 35W	3.5	260	74	4000	A+	0.03
140060949	LED-E-GU10-5,2W-3000K-36D-DIM	Halogen 50W	5.2	350	67	3000	A+	0.04
140060953	LED-E-GU10-5,2W-4000K-36D-DIM	Halogen 50W	5.2	360	69	4000	A+	0.04
140060951	LED-E-GU10-7,5W-3000K-36D-DIM	Halogen 75W	7.5	565	75	3000	A+	0.06
140060955	LED-E-GU10-7,5W-4000K-36D-DIM	Halogen 75W	7.5	575	77	4000	A+	0.06

Technical Specifications

Lifespan (L70B50)	15,000 h
On-/Off-cycles	50,000
Dimmable	Yes
Beam angle	36 °
Finishing	Silver
Colour rendering index CRI	≥ 80

Electrical Supply

Frequency	50/60 Hz
Nominal voltage	220-240 V AC
DC input voltage	No

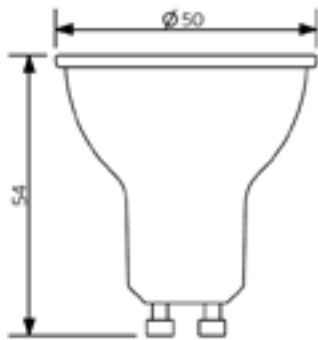
Ambient Conditions

Operating temperature	-20 ~ 40 °C
Application temperature	25 °C
Storage environment	-25 ~ 50 °C

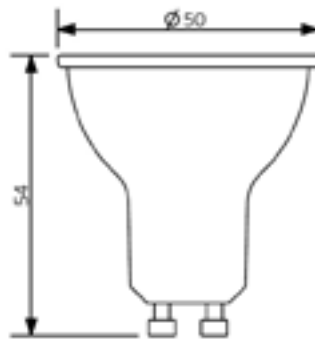


Dimensional Drawing (mm)

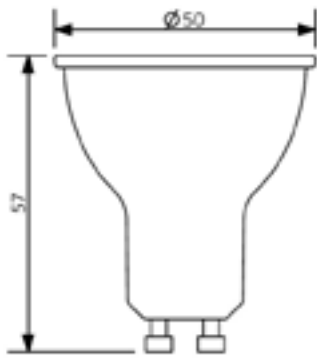
LED-E-GU10-3,5W



LED-E-GU10-5,2W



LED-E-GU10-7,5W





LED T8 Tube

- Single-ended full IEC compliant with patented driver
- Retrofit existing T8 lamps with EM ballast installations ONLY!
- No warm-up time, 100% light instantly when switched on
- Full glass
- High efficacy up to 120 lm/W
- Up to 62% lower energy consumption than fluorescent



SAFE AND EASY INSTALLATION: ONLY USE WITH LED DUMMY STARTER.
Tubes are NOT suitable for serial installation.

Specifications

Item Code	Item Description	Equivalent to (W)	Power (W)	Lumen	Efficacy (lm/W)	CCT (K)	Energy Level	Weight (kg/pc)
140062610	LED P T8 glass 600 8W 100pct 3000K CT	TL 1x18W	8	1050	131	3000	A++	0.11
140062611	LED P T8 glass 600 8W 100pct 4000K CT	TL 1x18W	8	1050	131	4000	A++	0.11
140062612	LED P T8 glass 600 8W 100pct 6500K CT	TL 1x18W	8	1050	131	6500	A++	0.11
140062613	LED P T8 glass 1200 16W 100pct 3000K CT	TL 1x36W	16	2100	131	3000	A++	0.21
140062614	LED P T8 glass 1200 16W 100pct 4000K CT	TL 1x36W	16	2100	131	4000	A++	0.21
140062615	LED P T8 glass 1200 16W 100pct 6500K CT	TL 1x36W	16	2100	131	6500	A++	0.21
140062616	LED P T8 glass 1500 23W 100pct 3000K CT	TL 1x58W	23	3100	134	3000	A++	0.26
140062617	LED P T8 glass 1500 23W 100pct 4000K CT	TL 1x58W	23	3100	134	4000	A++	0.26
140062618	LED P T8 glass 1500 23W 100pct 6500K CT	TL 1x58W	23	3100	134	6500	A++	0.26

Single-ended connection



Technical Specifications

Lifespan (L70B50)	50,000 h
On-/Off-cycles	100,000
Dimmable	No
Beam angle	220 °
Finishing	White
Colour rendering index CRI	≥ 80
Fitting	G13

Electrical Supply

Frequency	50/60 Hz
Nominal voltage	220-240 V
	AC
DC input voltage	No

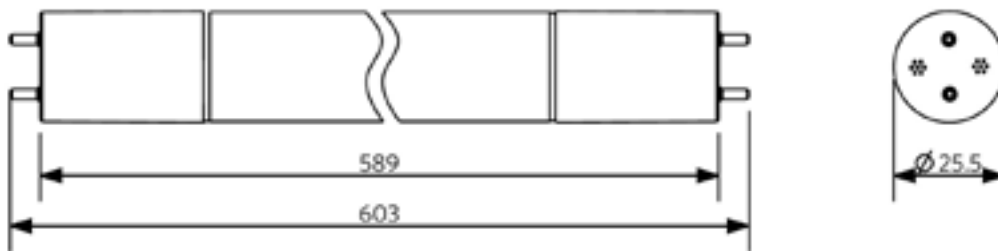
Ambient Conditions

Operating temperature	-25 ~ 45 °C
Application temperature	25 °C
Storage environment	-25 ~ 50 °C

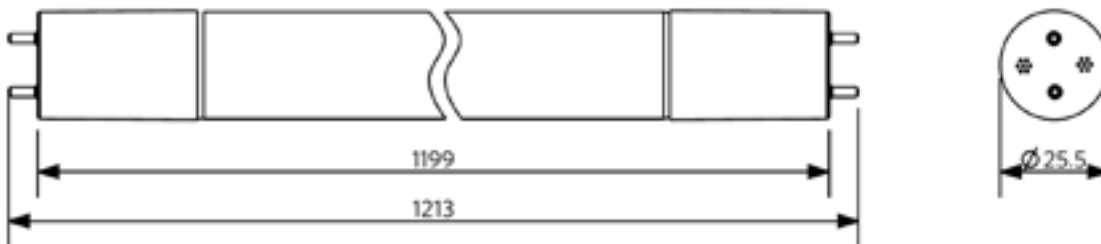


Dimensional Drawing (mm)

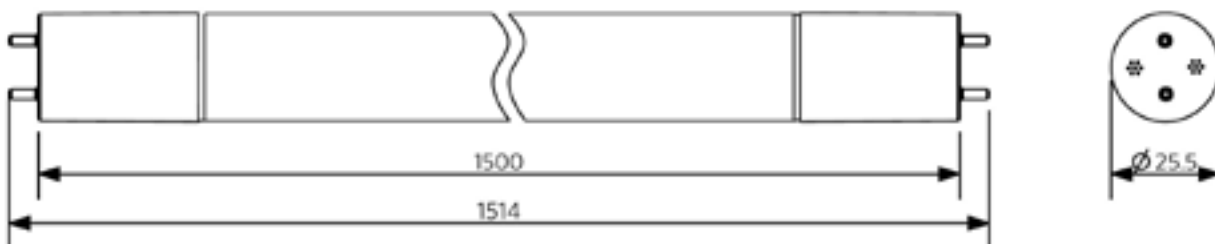
LED P T8 glass 600



LED P T8 glass 1200



LED P T8 glass 1500





LED High Power Bulb

- High lumen output allows easy replacement up to 400W HID
- To be used in existing luminaire with E40 sockets, of which the ballast needs to be removed
- Connects directly to 220-240V
- High lumen packages with high efficacy: up to 13,000 lm and 113 lm/W
- Enables both surface and hook mounting
- Up to 55% energy savings compared to traditional HID lamps
- 2.5 times longer lifetime compared to traditional HID lamps

Specifications

Item Code	Item Description	Equivalent to (W)	Power (W)	Lumen	Efficacy (lm/W)	CCT (K)	Weight (kg/pc)
140062576	LED P HPB E40 90W 4000K 140D CT	HID 250W	90	8000	89	4000	1.38
140062577	LED P HPB E40 115W 4000K 140D CT	HID 400W	115	13000	113	4000	1.86

Accessories



140062578
HPB Accessory Hook Mounted E40



140062579
HPB Accessory Surface Mounted E40

Technical Specifications

Lifespan (L70B50)	25,000 h
Lifespan (L80B50)	20,000 h
On-/Off-cycles	50,000
Colour consistency (SDCM)	6
Dimmable	No
Beam angle	140 °
Finishing	Grey
Colour rendering index CRI	≥ 80
Protection class	II
Control gear included	Yes
Glow wire test	650 °C
Driver failure rate (at 5,000 hrs)	1 %
Power factor	≥ 0.9

Electrical Supply

Frequency	50/60 Hz
Nominal voltage	220-240 V AC
DC input voltage	No

Mechanical Properties

Material housing	Aluminum
Optical material	Polycarbonate

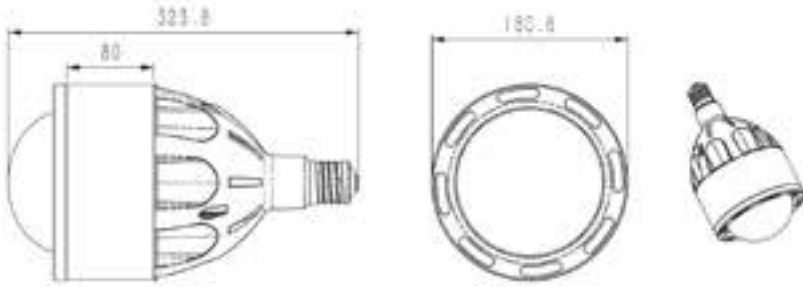
Ambient Conditions

Operating temperature	-20 ~ 35 °C
Storage environment	-25 ~ 50 °C

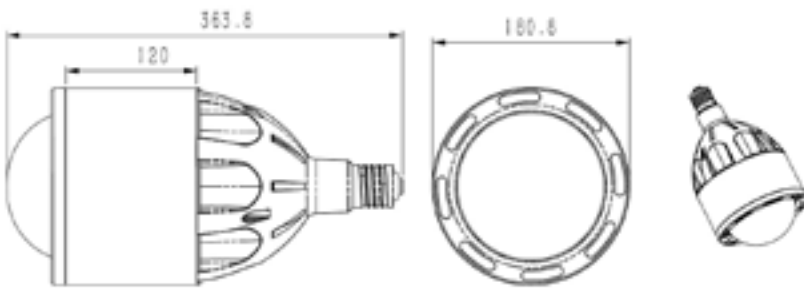


Dimensional Drawing (mm)

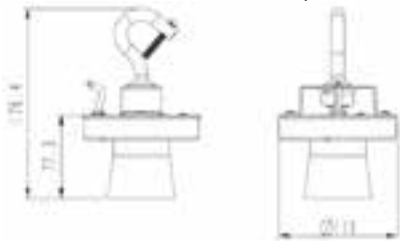
LED P HPB E40 90W



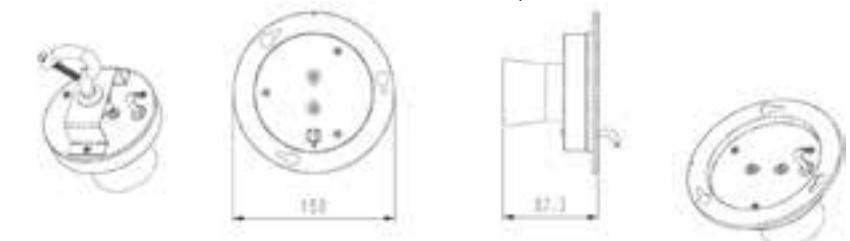
LED P HPB E40 115W



HPB Accessory Hook Mounted



HPB Accessory Surface Mounted





LED Module Clio G2

- Fits well in slim ceiling luminaires up to 550mm in diameter
- Easy and flexible installation
- Shadow free, homogeneous light diffusion and 100% light instant on
- High efficacy up to 100 lm/W
- Integrated driver, connects directly to 220-240V
- Including magnets and connection box
- Movement detector accessory available for 12W & 16W



See appendix for dimmer compatibility list.

Specifications

Item Code	Item Description	Equivalent to (W)	Power (W)	Lumen	Efficacy (lm/W)	CCT (K)	Energy Level	Weight (kg/pc)
140066573	LED E C module 12W 2700K Clio CT	GLS 75W	12	1000	82	2700	A+	0.10
140066574	LED E C module 12W 4000K Clio CT	GLS 75W	12	1100	91	4000	A+	0.10
140066575	LED E C module 16W 2700K Clio CT II	GLS 100W	16	1400	87	2700	A+	0.17
140066576	LED E C module 16W 4000K Clio CT II	GLS 100W	16	1600	100	4000	A+	0.17
140066204	LED E C module 22W DIM 2700K Clio CT	CFL TC-DD/PL-Q 28W	22	1800	83	2700	A+	0.24
140066205	LED E C module 22W DIM 4000K Clio CT	CFL TC-DD/PL-Q 28W	22	2000	91	4000	A+	0.24
140066206	LED E C module 36W DIM 2700K Clio CT	CFL TC-DD/PL-Q 38W	36	2800	78	2700	A	0.49
140066207	LED E C module 36W DIM 4000K Clio CT	CFL TC-DD/PL-Q 38W	36	3000	83	4000	A+	0.49

For more technical information, please go to the appendix.

Accessories



140060553
LED Module sensor CT

Sensor only for 12W and 16W.
Sensor range 12m.

Technical Specifications

Lifespan (L70B50)	30,000 h
Lifespan (L80B50)	20,000 h
On-/Off-cycles	100,000
Dimmable	No / Yes (22W/36W)
Beam angle	150 °
Colour rendering index CRI	≥ 80
Degree of protection (IP)	IP20
Protection class	II
Control gear included	Yes

Electrical Supply

Frequency	50/60 Hz
Nominal voltage	220-240 V
	AC
DC input voltage	No

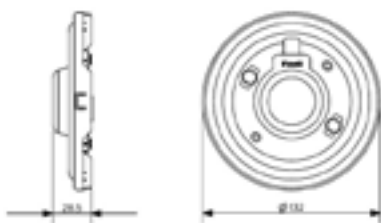
Ambient Conditions

Operating temperature	-20 ~ 40 °C
Application temperature	25 °C
Storage environment	-25 ~ 50 °C

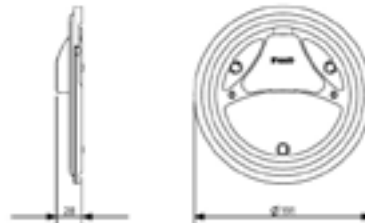


Dimensional Drawing (mm)

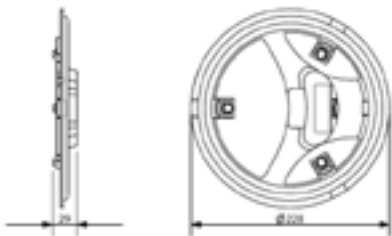
LED E C module 12W



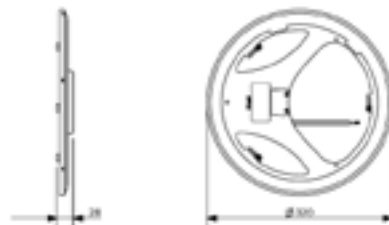
LED E C module 16W



LED E C module 22W



LED E C module 36W



LED Module sensor CT





LED Light Master G3

- Easy connection via bluetooth
- Simple solution for measurement of light level (lux), colour temperature (Kelvin) and colour rendering (CRI)
- Compatible with iOS and Android
- Rechargeable with micro USB (cable not included)



Specifications

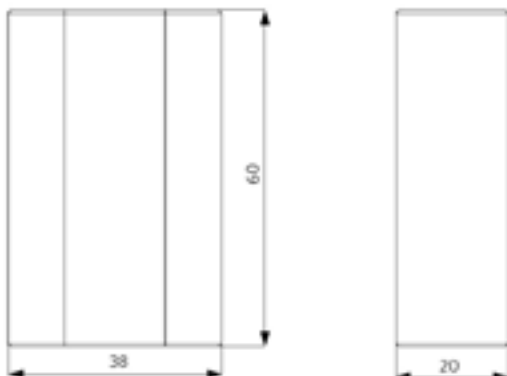
Item Code	Item Description
599000032700	Light-master-III

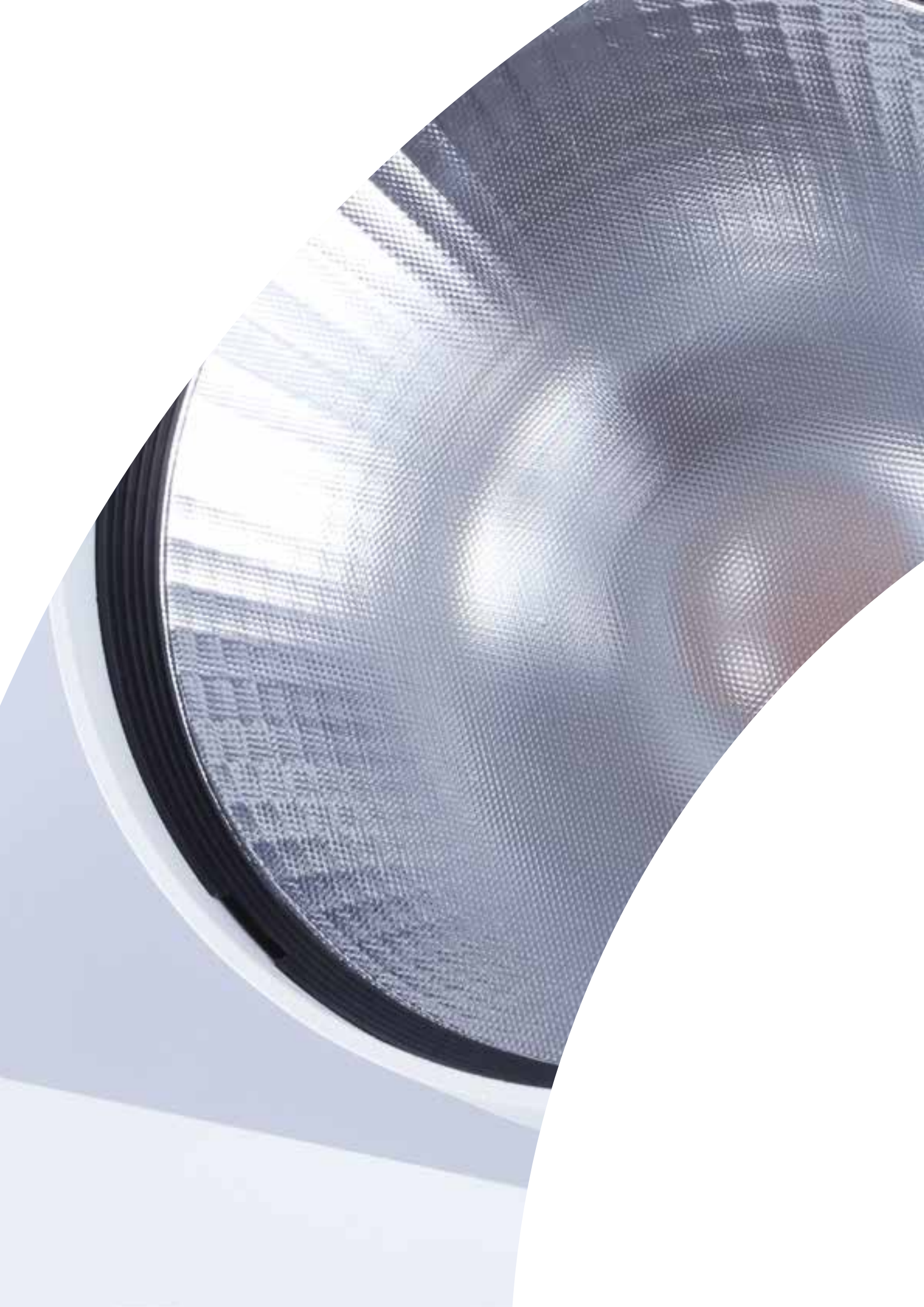
Technical Specifications	
Rechargeable	Yes - micro USB
Lux range	0-10000 lx
Color temperature range	2000-25000 K
Accuracy	~ 5% deviation
Operating temperature	-10 ~ 40 °C



Dimensional Drawing (mm)

Light-master-III







Smart 12

Indoor 26

Outdoor 104

Lamps & Accessories 124

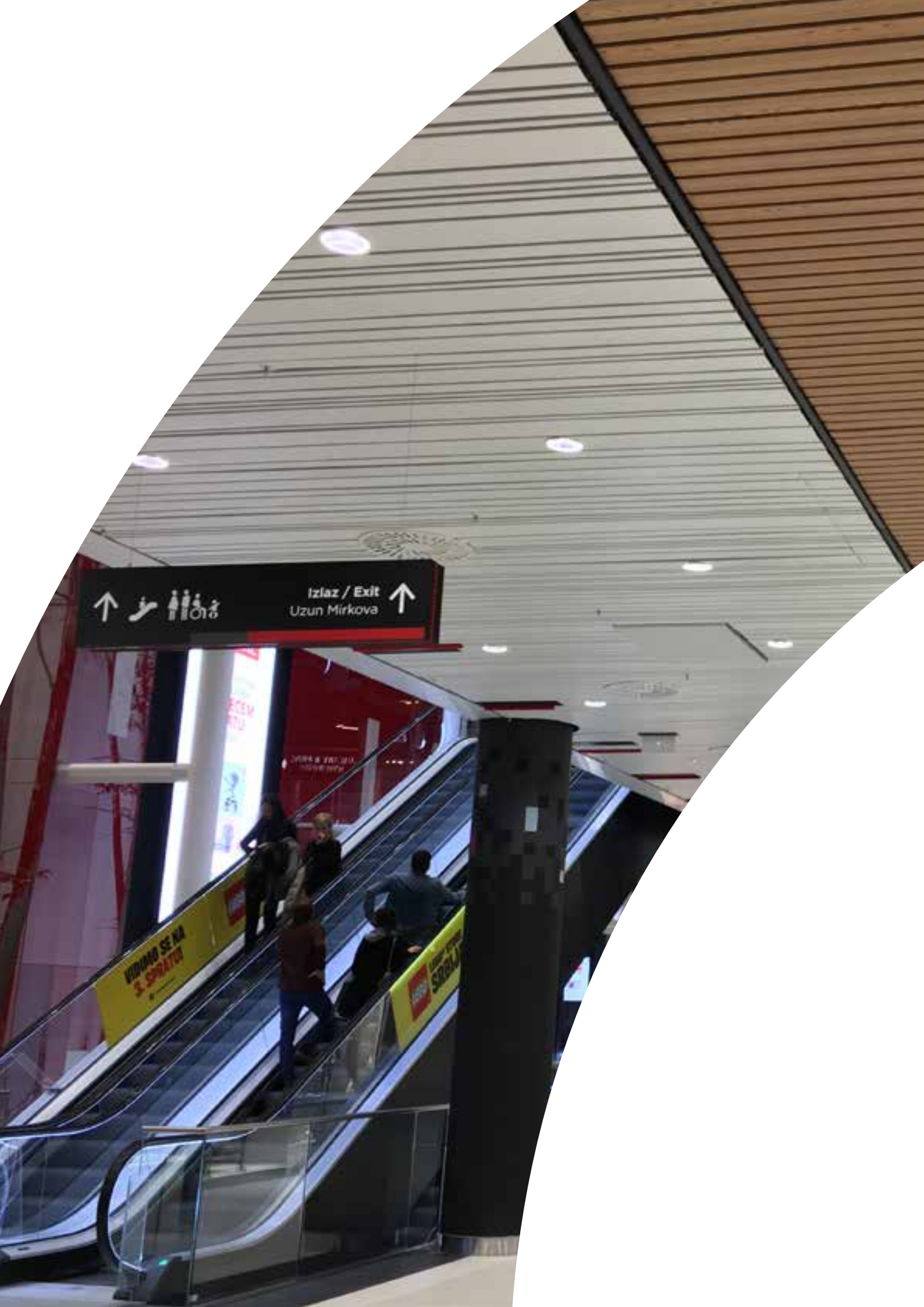
Extended Portfolio 144


Technical data 148

Glossary 164

Emergency codes

Code	Product	Power (W)	Lumen (lm)	Efficacy (lm/W)	CCT (K)
543022021600	LEDWaterproof-P3 L710-12.5W-4000-EM1	13 W	1600	130	4000 K
543022021700	LEDWaterproof-P3 L710-12.5W-4000-EM3	13 W	1600	130	4000 K
543022021800	LEDWaterproof-P3 L710-24W-4000-EM1	24 W	3100	130	4000 K
543022021900	LEDWaterproof-P3 L710-24W-4000-EM3	24 W	3100	130	4000 K
543022022000	LEDWaterproof-P3 L1310-24W-4000-EM1	24 W	3100	130	4000 K
543022022100	LEDWaterproof-P3 L1310-24W-4000-EM3	24 W	3100	130	4000 K
543022022200	LEDWaterproof-P3 L1310-38W-4000-EM1	38 W	5000	130	4000 K
543022022600	LEDWaterproof-P3 L1310-38W-4000-EM3	38 W	5000	130	4000 K
543022022400	LEDWaterproof-P3 L1310-38W-6500-EM1	38 W	5000	130	6500K
543022022500	LEDWaterproof-P3 L1310-38W-6500-EM3	38 W	5000	130	6500K
543022022700	LEDWaterproof-P3 L1610-31W-4000-EM1	31 W	4000	130	4000 K
543022022800	LEDWaterproof-P3 L1610-31W-4000-EM3	31 W	4000	130	4000 K
543022022900	LEDWaterproof-P3 L1610-47W-4000-EM1	47 W	6100	130	4000 K
543022023000	LEDWaterproof-P3 L1610-47W-4000-EM3	47 W	6100	130	4000 K
543022023100	LEDWaterproof-P3 L1610-54W-4000-EM1	54 W	7000	130	4000 K
543022023200	LEDWaterproof-P3 L1610-54W-4000-EM3	54 W	7000	130	4000 K
543022023300	LEDWaterproof-P3 L1610-54W-6500-EM1	54 W	7000	130	6500K
543022023400	LEDWaterproof-P3 L1610-54W-6500-EM3	54 W	7000	130	6500K
543022023500	LEDWaterproof-P3 L1310-38W-4000-PLUS-EM1	38 W	5000	130	4000 K
543022022300	LEDWaterproof-P3 L1310-38W-4000-PLUS-EM3	38 W	5000	130	4000 K
543022023600	LEDWaterproof-P3 L1610-31W-4000-PLUS-EM1	31 W	4000	130	4000 K
543022023700	LEDWaterproof-P3 L1610-31W-4000-PLUS-EM3	31 W	4000	130	4000 K
543022023800	LEDWaterproof-P3 L1610-54W-4000-PLUS-EM1	54 W	7000	130	4000 K
543022023900	LEDWaterproof-P3 L1610-54W-4000-PLUS-EM3	54 W	7000	130	4000 K
543011003200	LEDWall-Mounted-P Rd300-15W-EM3	15	1750	115	3000K/4000K
543011003300	LEDWall-Mounted-P Rd300-16.5W-MD-EM3	16	1750	110	3000K/4000K
543011003400	LEDWall-Mounted-P Rd300-21W-EM3	21	2550	120	3000K/4000K
543011003500	LEDWall-Mounted-P Rd300-22.5W-MD-EM3	22	2550	115	3000K/4000K
543011003600	LEDWall-Mounted-P Rd300-15W-EM1	15	1750	115	3000K/4000K
543011003700	LEDWall-Mounted-P Rd300-16.5W-MD-EM1	16	1750	110	3000K/4000K
543011003800	LEDWall-Mounted-P Rd300-21W-EM1	21	2550	120	3000K/4000K
543011003900	LEDWall-Mounted-P Rd300-22.5W-MD-EM1	22	2550	115	3000K/4000K



↑  Izlaz / Exit
Uzun Mirkova ↑

VODIMO SE NA
3. SPRATU

VODIMO SE NA
3. SPRATU



Smart 12

Indoor 26

Outdoor 104

Lamps & Accessories 124




Extended Portfolio 144

Technical data 148











Glossary 164

Dimming compatibility Level

Compatible	No flicker, no noise
Semi-compatible	No flicker, possible noise
Incompatible	Possible flicker, possible noise
Untested	





Dimmer brand	Type	Max. load	Spot RA HQ Dim		Downlight HZ Dim				Spot Ava		
			7W	8W	7W	10W	13W	16W	7W	9W	
											
ABB	2250 AJ-513	60 - 600W		2-11						2-6	2-6
Berker	286610	20-500W	1-13	1-5	1-13	1-10	1-7	1-6			1-11
Berker	2819	60-400W		1-10							
Berker	2830.10	60-400W	1-10			1-8	1-6	1-5		1-11	
Bticino	L-N-NT4411N	3-400W	1-11	1-11	1-11	1-11	1-6	1-5			
BULL	B6GD100	500W				1-10	1-7	1-6		1-14	
BUSCH-JAEGER	6523U	LED typical 2 ... 100W	1-13	1-11	1-13	1-10	1-7	1-6		1-14	1-11
BUSCH-JAEGER	6513 U-102	40 - 420W	1-11	1-9	1-11	1-8		1-5		1-12	1-9
BUSCH-JAEGER	2247U	20 - 500W		1-11	1-13	1-10	1-7	1-6		1-14	1-6
BUSCH-JAEGER	6524U	LED 2 - 100 W	1-13	2-5	1-13	1-10	1-7	1-6		1-14	
BUSCH-JAEGER	2250U	600W	1-16	2-11	1-16	1-12	1-9	1-7		1-17	2-13
BUSCH-JAEGER	6591 U-101-500	420W	1-13	1-12	1-11	1-11	1-7	1-6		1-12	1-10
BUSCH-JAEGER	6523 UR-103	2-400W	1-11	1-10	1-11	1-11	1-6	1-5		1-11	1-9
Busch	6523U-102	10-250W/LED2-100W	1-13		1-13	1-10	1-7	1-6		1-14	1-11
Busch	6526U	10-200W/LED2-100W					1-7				
Eetako	EUD61NPN-UC	400W		1-9							
EFAPEL	21215	3-50W	1-6	1-6	1-6	1-5	1-3	1-3		1-7	1-5
EFAPEL	21214	3-35W	1-4	1-4	1-4	1-3	1-2	1-2		1-5	1-4
EFAPEL	21216	3-85W	1-11	1-10	1-11	1-8	1-6	1-5		1-12	1-9
EPV	PAB 315	20-315W	1-8	1-7	1-8	1-6	1-4	1-4		1-9	1-7
Feller	40200 LED FMI 61	4-200W/VA	1-5	1-5	1-5	1-3	1-3	1-2			1-5
Feller	40600 RL FIM61	20-300W/VA	1-8	1-7	1-7	1-5	1-4	1-3			1-7
Feller	40300 RC FMI 61	40-600VA/W	1-16	1-7						1-16	1-12
Feller	40600 RLC FMI 61	20-600VA/W		1-15	1-15	1-11	1-8	1-7			1-12
GIRA	UNIV 420WV	50 VA - 420 VA		1-9							
GIRA	HAL/LED 500VA	20 VA - 500 VA								1-6	1-6
GIRA	117600/104	50-420W	1-11		1-11	1-8	1-6	1-5			
GIRA	226200/101	20-500W/LED3-100W	1-13		1-13	1-10	1-7	1-6		1-14	1-11
GIRA	0302 00/101	60-600W	1-16		1-16	1-12	1-9	1-7		1-17	1-13
GIRA	0307 00/102	20-525W	1-14		1-14	1-10		1-6		1-15	1-11
JUNG	225 NV DE	20-500W/LED3-100W	1-13	1-3	1-13	1-10	1-7	1-6		1-14	1-11
JUNG	266 G DE	60-600W	1-16	1-3	1-16	1-12	1-9	1-7		1-7	1-13
Klemko	891040	315W		1-5						1-6	1-6
Legrand	617 030	40-600w	1-16			1-12		1-7			1-13
merten	MEG5134-0000	4-400W	1-10	1-10	1-11	1-8	1-6	1-5		1-11	1-11
NIKO	310-0190X	5-325W	1-8	1-13	1-9	1-6	1-4	1-4		1-9	1-7
NIKO	310-02900	3-300W	1-8		1-8	1-6	1-4	1-3		1-8	1-7
NIKO	310-0490X	4-200W	1-6	1-5	1-6	1-6	1-3	1-3		1-6	1-5
NIKO	310-0390X	3-200W	1-5	1-5	1-5	1-5	1-3	1-2		1-5	1-5
NIKO	310-0280X	2-100W	1-3	1-12	1-2	1-3	1-7	1		1-3	1-11
NVC	EP8D11A BLB5	400W	1-10	1-9	1-11	1-8	1-6	1-5		1-11	
OPUS	852,397	7-110W/LED3-35W	1-4	1-4	1-4	1-3	1-2	1-2		1-5	1-3
PEHA	TRONIC-DIMMER 435 HAB	20-600W	1-16	1-10	1-16	1-12	1-7	1-7		1-17	1-2
PEHA	D 431HAN LED	6-120W/LED6-60W	1-8	1-7	1-8	1-6	1-4	1-4		1-8	1-7
TRUMP	DIMMAX 420SL	400W		1-10							
Panasonic	BS EN 60669-2-1	150-500W				1-10	1-7	1-6			
Panasonic	WEG578153	80-500W	1-13		1-13	1-10	1-7	1-6		1-14	1-11
SIEMENS	5UH8222-3NC01	40-500W	1-13	1-11	1-13	1-10	1-7	1-6		1-14	

Please note: For example, a Berker 286610 dimmer can control a minimum of 1 and a maximum of 10 Oppl GU10 3.2W lamps

Dimmer brand	Model	Type	Max. load	Filament											
				A60	A60	G45	G45	P45	P45	B35	B35	ST64	ST64	ST64	ST64
				470lm	806lm	250lm	470lm	250lm	470lm	250lm	470lm	470lm	806lm	400lm	700lm
															
Busch Jaeger	2247U	RL	500W	1-20	1-20	2-20	1-20	2-20	1-20	2-20	1-20	1-20	1-20	1-20	1-20
Busch Jaeger	2250U	R	600W	1-20	1-20	1-12	1-20	1-12	1-20	1-12	1-20	1-20	1-20	1-20	1-20
Busch Jaeger	6513 U-102	RC	40-420W	1-20	1-20	1-20	1-20	1-20	1-20	1-20	1-20	1-20	1-20	1-20	1-20
Busch Jaeger	6523U	R,L	100W	1-20	1-20	1-20	1-20	1-20	1-20	1-20	1-20	1-20	1-20	1-20	1-20
Busch Jaeger	6523 U-102	R,C	250W	1-20	1-20	1-20	1-20	1-20	1-20	1-20	1-20	1-20	1-20	1-20	1-20
Busch Jaeger	6591 U-101-500		60-420W	1-20	1-18	1-20	1-20	1-20	1-20	1-20	1-20	1-20	1-18	1-20	1-18
Busch Jaeger	6523 UR-103		2-400W	1-20	1-20	1-20	1-20	1-20	1-20	1-20	1-20	1-20	1-20	1-20	1-20
Jung	266 GDE	R	60-600W	1-20	1-20	1-20	1-20	1-20	1-20	1-20	1-20	1-20	1-20	1-20	1-20
Jung	Licht-Management 225 NV DE	RL	100W	1-20	1-20	2-20	1-20	1-20	1-20	1-20	1-20	1-20	1-20	1-20	1-20
Berker	286610	RL	500W	1-20	1-20	2-10	1-20	2-10	1-20	2-10	1-20	1-20	1-20	1-20	1-20
Berker	2819	R	400W	1-20	1-20	1-20	1-20	1-20	1-20	1-20	1-20	1-20	1-20	1-20	1-20
Berker	283010	R	400W	1-20	1-20	1-12	1-20	1-12	1-20	1-12	1-20	1-20	1-20	1-20	1-20
Wintop	13212	L	300W	1-20	1-20	1-20	1-20	1-20	1-20	1-20	1-20	1-20	1-20	1-20	1-20
Wintop	13512	RC	500W	1-20	1-20	1-20	1-20	1-20	1-20	1-20	1-20	1-20	1-20	1-20	1-20
Gira	1176 00/104	R,L,C	420W	1-20	1-20	1-20	1-20	1-20	1-20	1-20	1-20	1-20	1-20	1-20	1-20
Gira	2262 00/101	R,L	500W	1-20	1-20	2-20	1-20	2-20	1-20	2-20	1-20	1-20	1-20	1-20	1-20
Gira	030200	R	600W	1-20	1-20	1-12	1-20	1-20	1-20	1-20	1-20	1-20	1-20	1-20	1-20
Gira	030700	R,C	525W	1-20	1-20	1-20	1-20	1-20	1-20	1-20	1-20	1-20	1-20	1-20	1-20
Druck	8095	RL	400W	1-20	1-20	1-20	1-20	1-20	1-20	1-20	1-20	1-20	1-20	1-20	1-20
NIKO	310-01901	R,L,C,CFLi	325W	1-20	1-20	1-20	1-20	1-20	1-20	1-20	1-20	1-20	1-20	1-20	1-20
NIKO	310-0490X		4-200W	1-12	1-8	1-20	1-12	1-20	1-12	1-20	1-12	1-12	1-8	1-12	1-8
NIKO	310-0280X		2-100W	1-6	1-4	1-12	1-6	1-12	1-6	1-12	1-6	1-6	1-4	1-6	1-4
PEHA	431 HAN LED		120W/60W (LED)	1-13	1-8	1-13	1-13	1-20	1-20	1-20	1-20	1-13	1-8	1-13	1-8
PEHA	435 HAB		20-525W	1-20	1-20	1-20	1-20	1-20	1-20	1-20	1-20	1-20	1-20	1-20	1-20
merten	MEG5134-0000		4-400W	2-20	2-16	2-20	2-20	1-20	1-20	1-20	1-20	2-20	2-16	2-20	2-16
EFAPEL	21212		250W/85W (LED)	1-18	1-12	1-20	1-18	1-20	1-20	1-20	1-20	1-18	1-12	1-18	1-12
EFAPEL	21214		110W/35W (LED)	1-7	1-5	1-7	1-7	1-12	1-12	1-12	1-12	1-7	1-5	1-7	1-5
EFAPEL	21215		150W/50W (LED)	2-11	4-7	1-20	2-11	1-17	1-17	1-17	1-17	2-11	4-7	2-11	4-7
EFAPEL	21216		5-150W (LED)	1-20	1-20	1-20	1-20	1-10	1-10	1-10	1-10	1-20	1-20	1-20	1-20
EPV	PAB 315		315W	1-20	2-12	2-20	1-20	1-20	1-20	1-20	1-20	1-20	2-12	1-20	2-12
Legrand	617 030		40-600W	6-20	7-20	4-20	6-20	4-20	1-20	4-20	1-20	6-20	7-20	6-20	7-20
Panasonic	BS EN 60669-2-1		150W-500W	1-4	5-12	1-4	1-4	3-8	1-8	3-8	1-8	1-4	5-12	1-4	5-12
Panasonic	WEG578153		80-500W	1-20	4-20	1-20	1-20	3-9	1-9	3-9	1-9	1-20	4-20	1-20	4-20
SIEMENS	5UH8222-3NC01		40W-500W	1-20	1-20	1-20	1-20	3-20	1-20	3-20	1-20	1-20	1-20	1-20	1-20
NVC	EP8D11A BLB5		400W	4-20	2-20	4-20	4-20	4-20	1-20	4-20	1-20	4-20	2-20	4-20	2-20
NIKO	310-02900		200W	1-20	1-20	1-20	1-20	1-20	1-20	1-20	1-20	1-20	1-20	1-20	1-20
Legrand	665714		400W/75W (LED)	1-20	1-10	1-16	1-20	2-20	1-20	2-20	1-20	1-20	1-10	1-20	1-10
Bticino	N4411N		400W/75W (LED)	1-20	1-10	1-16	1-20	2-20	1-20	2-20	1-20	1-20	1-10	1-20	1-10
Feller	40200 LED FMI 61		400W	1-20	1-16	1-20	1-20	1-20	1-20	1-20	1-20	1-20	1-16	1-20	1-16
Feller	40600 RL FIM61		40-600W	1-20	1-20	1-20	1-20	1-20	1-20	1-20	1-20	1-20	1-20	1-20	1-20
Feller	40300 RC FMI 61		20-300W	1-20	1-16	1-20	1-20	1-20	1-20	1-20	1-20	1-20	1-16	1-20	1-16
Feller	40600 RLC FMI 61		20-600W	1-20	1-20	1-20	1-20	1-20	1-20	1-20	1-20	1-20	1-20	1-20	1-20

Dimming compatibility Level

Compatible	No flicker, no noise
Semi-compatible	No flicker, possible noise
Incompatible	Possible flicker, possible noise
Untested	

Dimmer brand	Model	Type	Max. load	GU10			LED Module Clio GEN2		LED Ceiling Light Apollo	T5 Batten DIM	
				3,2W	5,2W	7,5W	22W	36W	22W	9W	18W
											
Busch Jaeger	2247U	RL	500W	1-10	1-3	1-10	1-4	1-3	1-4	1-6	1-6
Busch Jaeger	2250U	R	600W	1-10	1-5	1-10	1-5	1-3	1-5	1-6	1-5
Busch Jaeger	6513 U-102	RC	40-420W	2-10	1-10	1-10	1-6	1-4	1-6	1-9	1-5
Busch Jaeger	6523U	R,L	100W	1-10	1-5	1-10	1-1	1-2	1-1	1-1	1-1
Busch Jaeger	6523 U-102	R,C	250W	1-10	1-10	1-10	1-1	1-1	1-1	1-1	1-1
Jung	266 GDE	R	60-600W	1-10	1-7	1-10	1-4	1-3	1-4	1-6	1-6
Jung	Licht-Management 225 NV DE	RL	100W	1-10	1-5	1-10				1-6	1-6
Berker	286610	RL	500W	1-10	1-3		1-4	1-3	1-4	1-6	1-3
Berker	2819	R	400W	1-7	1-4		1-1	1-1	1-1	1-3	1-3
Berker	283010	R	400W	1-10	1-3	1-10	1-2	1-1	1-2	1-3	1-3
Wintop	13212	L	300W				1-2	1-1	1-2	1-2	1-2
Wintop	13512	RC	500W	1-10	1-10	1-10	1-7	1-4	1-7	1-22	1-16
Gira	1176 00/104	R,L,C	420W	1-10	1-10	1-10	1-2	1-2	1-2	1-18	1-12
Gira	2262 00/101	R,L	500W	1-10	1-10	1-10	1-5	1-3	1-5	1-6	1-6
Gira	030200	R	600W	1-10	1-3	1-10	1-5	1-3	1-5	1-6	1-6
Gira	030700	R,C	525W	1-10	1-10	1-10	1-5	1-4	1-5	1-23	1-16
Druck	8095	RL	400W	1-10	1-10	1-10	1-2	1-2	1-2	1-3	1-3
NIKO	310-01901	R,L,C,CFLi	325W	1-8	1-13	1-8	1-4	1-3	1-4	1-13	1-9
OPUS	852,397		110W/35W(LED)	1-10	1-6	1-4					
NIKO	310-0190X		5-325W	1-8	1-13	1-10	1-4	1-3	1-4		
PEHA	431 HAN LED		120W/60W(LED)	1-13	1-11	1-7	1-2		1-2		
PEHA	435 HAB		20-525W	1-14	1-20	1-20	1-5	1-5	1-5		
merten	MEG5134-0000		4-400W	1-11	1-17	1-20	1-5	1-3	1-5		
EFAPPEL	21212		250W/85W(LED)	1-20			1-1	1-1	1-1		
EFAPPEL	21214		110W/35W(LED)	1-10							
EFAPPEL	21215		150W/50W(LED)				1-2		1-2		
EFAPPEL	21216		5-150W(LED)								
EPV	PAB 315		315W	1-8	1-13	1-11					
Legrand	617 030		40-600W	2-7			1-2		1-2		
Panasonic	BS EN 60669-2-1		150W-500W	1-4	1-3	1-4	1-1	1-1	1-1		
Panasonic	WEG578153		80-500W	1-4	1-2		1-2	1-1	1-2		
BULL	B6GD100		200W								
SIEMENS	5UH8222-3NC01		40W-500W	1-5		1-4	1-1	1-1	1-1		
NVC	EP8D11A BLB5		400W	1-2	1-2	1-2	1-1	1-1	1-1		
NIKO	310-02900		200W	1-2	1-2	1-2	1-1	1-1	1-1		
Legrand	665714		400W/75W(LED)	1-20	1-14	1-10	1-3	1-2	1-3		
Bticino	N4411N		400W/75W(LED)	1-20	1-14	1-10	1-3	1-2	1-3		
Feller	40200 LED FMI 61		400W	1-11	1-17	1-14	1-5	1-3	1-5		
Feller	40600 RL FIM61		40-600W	1-5	1-7	1-9	1-4	1-2	1-4		
Feller	40300 RC FMI 61		20-300W	1-11	1-17	1-14	1-5	1-3	1-5		
Feller	40600 RLC FMI 61		20-600W	1-8	1-7	1-9	1-4	1-3	1-4		

Cut-Out conversion list

Cut-Out Overview																			
		Cut-Out (mm)		Φ60	Φ68	Φ72	Φ76	Φ80	Φ95	Φ120	Φ125	Φ150	Φ172	Φ175	Φ200	Φ210			
LED Downlight	Performer	LED DL-RC-P HG/MW R150-11.5W (incl DALI/BLE)																	
		LED DL-RC-P HG/MW R200-15W (incl DALI/BLE)																	
		LED DL-RC-P HG/MW R200-23W (incl DALI/BLE)																	
		LED DL-RC-P HG/MW R200-33W (incl DALI/BLE)																	
	EcoMax	HZdim	LED DL-RC-HZ DIM R125-7W																
			LED DL-RC-HZ DIM R150-10W																
			LED DL-RC-HZ DIM R175-13W																
			LED DL-RC-HZ DIM R200-16W																
	Slim EcoMax	Slim	LED DL-SL-E R150-12W																
			LED DL-SL-E R200-24W																
			LED DL-SL-E Sq150-12W																
			LED DL-SL-E Sq200-24W																
	Basic	Basic	LED DL-RC-B Rd150 12W																
			LED DL-RC-B Rd200 22W																
			Cut-Out (mm)		Φ60	Φ68	Φ72	Φ76	Φ80	Φ95	Φ120	Φ125	Φ150	Φ172	Φ175	Φ200	Φ210		
	LED Spots	Performer	RA	LED SP-RA-P 30W															
LED SP-RA-P 45W																			
Swing		RS	LED SP-RS-P20W																
			LED SP-RS-P35W																
HQ		RA	LED SP-RA-HQ 7W																
			LED SP-RA-HQ 8W																
EcoMax		RF	LED-SP-RF 4.5W																
			LED-SP-RF 7W																
Decorative		Chalice	LED Chalice 4.5W																
		Ava	LED Ava 7W																
	Ava	LED Ava 9W																	

Note: For Downlight Performer, HZ^{DIM} en Slim adapter rings are also available.

Connection specifications

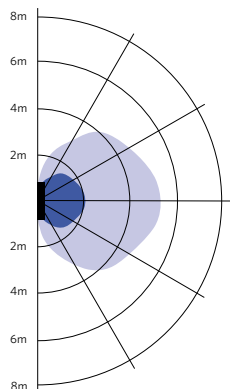
Tables below present the maximum number of luminaires that can be connected on one B16/C16 automate.

Category	Series	Types	DC Input Voltage	Max. units per B16	Max. units per C16	Max. inrush current	Inrush time (µs)
LED Panel	Grille	11W / 21W / 36W	190-210 V DC	37	62	35	270
LED Panel	Grille	13W DALI / 21W DALI	186-250 V DC	30	51	11	23
LED Panel	Grille	36W DALI Sq595	186-250 V DC	37	62	22	2750
LED Panel	Grille	36W DALI Re298	186-250 V DC	24	40	22	2750
LED Panel	Monza	35W	n/a	40	57	23	24
LED Panel	Monza	35W DALI/10V/BLE	n/a	21	35	21	162
LED Panel	Sydney	35W	n/a	40	57	23	24
LED Panel	Sydney	35W DALI/10V/BLE	n/a	21	35	21	162
LED Panel	Slim Performer	30W/30W DALI	190 - 210 V DC	16	25	25	500
LED Panel	Slim Performer	34W/34W DALI	190 - 210 V DC	16	25	25	500
LED Panel	Slim Performer	30W/34W BLE	n/a	16	25	25	500
LED Panel	Slim EcoMax	34W	n/a	11	19	32	350
LED Lima	Lima	15/18W DALI	180-260 V DC	17	28	25	330
LED Lima	Lima	30/36W DALI	180-260 V DC	15	26	20	400
LED Panel Suspended	Zenith	75W DALI	190 - 210 V DC	18	30	35	500
LED Panel Suspended	Zenith	75W BLE	200-300 V DC	32	35	39	103
LED Panel	Slim Basic G2	36W	150 - 300 V DC	36	60	13	254
LED Downlight	Performer HG/MW	11.5W / 11.5W DALI	200 - 300 V DC	55	92	20	356
LED Downlight	Performer HG/MW	15W / 15W DALI	200 - 300 V DC	55	92	20	356
LED Downlight	Performer HG/MW	23W / 23W DALI	200 - 300 V DC	26	43	18	800
LED Downlight	Performer HG/MW	33W / 33W DALI	200 - 300 V DC	26	43	18	800
LED Downlight	Performer HG/MW	11.5W / 15W BLE	n/a	55	92	24	100
LED Downlight	Performer HG/MW	23W / 33W BLE	n/a	26	43	20	240
LED Downlight	HZdim	7W	200 - 300 V DC	181	307	1,4	320
LED Downlight	HZdim	10W	200 - 300 V DC	126	214	1,6	708
LED Downlight	HZdim	13W	200 - 300 V DC	97	164	1,5	464
LED Downlight	HZdim	16W	200 - 300 V DC	79	134	1,6	288
LED Downlight	Slim EcoMax	12W	n/a	105	178	11	59
LED Downlight	Slim EcoMax	24W	n/a	52	88	11	56
LED Downlight	Basic	12W	200 - 300 V DC	168	263	9,4	80
LED Downlight	Basic	22W	200 - 300 V DC	44	74	29	94
LED Spot	Performer 3C Compact	25W	250-370 V DC	85	85	7,8	80
LED Spot	Performer 3C Compact	35W	250-370 V DC	55	55	10	78
LED Spot	Performer 3C/RA	30W	200 - 300 V DC	13	22	45	500
LED Spot	Performer 3C/RA	45W	190 - 210 V DC	9	15	15	30
LED Spot	Performer 3C/RA	30W DALI / 45W DALI	180 - 260 V DC	8	14	39	1000
LED Spot	Swing	20W	n/a	101	101	22	40
LED Spot	Swing	35W	n/a	57	57	24	24
LED Spot	Swing	35W DALI/10V/BLE	n/a	41	58	21	162
LED Spot	3C Ecomax	30W	200 - 300 V DC	72	95	10	230
LED Spot	HQ	7W Dim	200 - 300 V DC	181	307	3	180
LED Spot	HQ	8W Dim	190 - 210 V DC	240	408	1	500
LED Spot	Ecomax	4.5W	190 - 210 V DC	281	477	7	2
LED Spot	Ecomax	7W	180 - 260 V DC	181	307	7	50
LED Lowbay	Lowbay	30W	190 - 210	17	29	8,2	800

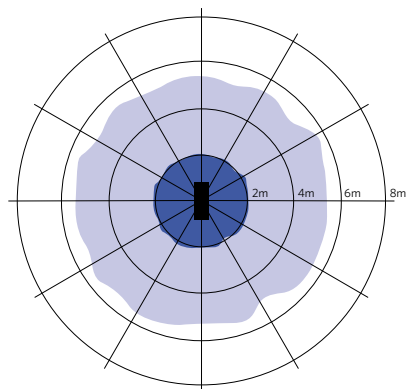
Category	Series	Types	DC Input Voltage	Max. units per B16	Max. units per C16	Max. inrush current	Inrush time (µs)
LED Lowbay	Lowbay	50W	190-210 V DC	11	19	10,4	1000
LED Lowbay	Lowbay	80W	180-260 V DC	8	13	48	592
LED Highbay	Performer G4	80W (DALI/Static)	190-210	11	18	52	250
LED Highbay	Performer G4	80W (BLE)	190-210	9	16	40	300
LED Highbay	Performer G4	115W (DALI/Static)	190-210	11	18	35	650
LED Highbay	Performer G4	115W (BLE)	190-210	9	16	40	300
LED Highbay	Performer G4	155W (DALI/Static)	190-210	5	9	35	650
LED Highbay	Performer G4	155W (BLE)	190-210	2	4	51	810
LED Highbay	Performer G4	230W (DALI/Static)	190-210	5	9	35	650
LED Highbay	Performer G4	230W (BLE)	190-210	2	4	51	810
LED Waterproof	Performer G3 L710	12.5W	150 - 300 V DC	206	206	10,2	50
LED Waterproof	Performer G3 L710	24W	150 - 300 V DC	64	106	18,4	100
LED Waterproof	Performer G3 L1310	24W	150 - 300 V DC	64	106	18,4	100
LED Waterproof	Performer G3 L1310	38W	150 - 300 V DC	56	56	18,4	100
LED Waterproof	Performer G3 L1610	31W	150 - 300 V DC	56	84	20,8	100
LED Waterproof	Performer G3 L1610	47W	150 - 300 V DC	44	44	19,8	100
LED Waterproof	Performer G3 L1610	54W	150 - 300 V DC	39	39	26,8	100
LED Waterproof	Performer G3 L710	12.5W (DALI/BLE)	150 - 300 V DC	24	40	41	240
LED Waterproof	Performer G3 L710	24W (DALI/BLE)	150 - 300 V DC	24	40	41	240
LED Waterproof	Performer G3 L1310	24W (DALI/BLE)	150 - 300 V DC	24	40	41	240
LED Waterproof	Performer G3 L1310	38W (DALI/BLE)	150 - 300 V DC	24	40	41	240
LED Waterproof	Performer G3 L1610	31W (DALI/BLE)	150 - 300 V DC	24	40	41	240
LED Waterproof	Performer G3 L1610	47W (DALI/BLE)	150 - 300 V DC	24	40	41	240
LED Waterproof	Performer G3 L1610	54W (DALI/BLE)	150 - 300 V DC	24	40	41	240
LED Waterproof	Ecomax G2 L650	10W	130 - 200 V DC	202	202	8	60
LED Waterproof	Ecomax G2 L650	20W	190 - 220 V DC	101	101	8	80
LED Waterproof	Ecomax G2 L1250	18W	190 - 220 V DC	112	112	8	80
LED Waterproof	Ecomax G2 L1250	37W	140 - 215 V DC	54	54	10	80
LED Waterproof	Ecomax G2 L1550	27W	140 - 215 V DC	75	75	10	100
LED Waterproof	Ecomax G2 L1550	50W	140 - 215 V DC	40	40	13	50
LED Waterproof	Basic	36W	n/a	46	67	12,3	240
LED Waterproof	Basic	50W	n/a	42	42	8,7	150
LED Trunking	Trunking	35W	180-260 V DC	38	63	15	250
LED Trunking	Trunking	35WDALI	180-260 V DC	22	36	29	180
LED Trunking	Trunking	50W	180-260 V DC	18	30	40	178
LED Trunking	Trunking	50WDALI	180-260 V DC	14	23	40	178
LED Trunking	Trunking	70W	180-260 V DC	12	20	40	178
LED Trunking	Trunking	70WDALI	180-260 V DC	14	23	40	178
LED T8 Batten	T8 Batten	19W / 38W	150 - 300 V DC	44	74	17,2	660
LED Streetlight	Streetlight	20W / 40W	200 - 300 V DC	29	49	17	250
LED Streetlight	Streetlight	65W	190 - 210 V DC	11	18	14,1	400
LED Flood	LED Flood HO	310W	n/a	2	4	27	1500
LED Flood	LED Flood HO	620W	n/a	2	3	28,5	2820
LED Flood	Performer	90W / 125W / 160W	190 - 210 V DC	11	18	35	800
LED Flood	Performer	220W	190 - 210 V DC	3	5	66,5	540
LED Flood	EcoMax G2	30W	310 V DC	93	94	8,1	38,2
LED Flood	EcoMax G2	50W	310 V DC	10	13	69,6	5,3
LED Flood	EcoMax G2	70W	310 V DC	16	21	44,4	10,1
LED Flood	EcoMax G2	10W	200-300	50	83	2,5	90
LED Flood	EcoMax G2	19W	200-300	110	130	6,2	190
LED Flood	Basic	10W	190-270	88	112	8,5	0,4
LED Flood	Basic	20W	190-270	80	103	9,3	0,5
LED Flood	Basic	30W	190-270	63	80	11,9	0,5
LED Flood	Basic	50W	176-264	41	52	18,3	1,4
LED Flood	Basic	70W	176-264	38	40	19,5	1,7
LED Porchlight	EcoMax	5W / 6W / 8W / 9W	n/a	200	350	18	20
LED Wallmounted	Performer	15W/16W	200 - 300 V DC	122	122	25,2	4,8
LED Wallmounted	Performer	21W/22W	200 - 300 V DC	90	90	25,2	4,8

Motion Sensors - Detection range

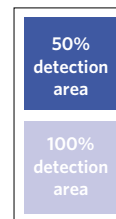
LED Porchlight MD



Installation - Wall Mounted
Suggested installation height 1-2m

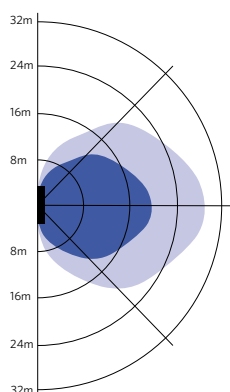


Installation - Ceiling Mounted
Suggested installation height 2.5-4m

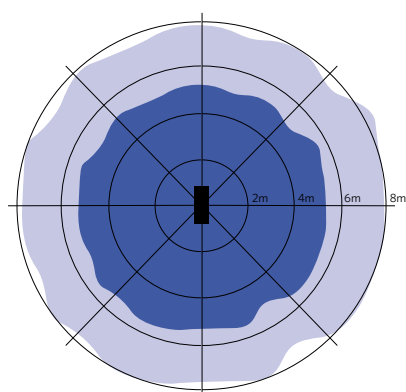


Item codes:
140064479
140064480
140064483
140064484

LED Wall Mounted Performer MD



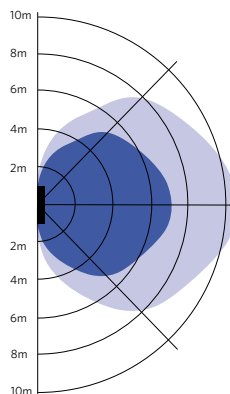
Installation - Wall Mounted
Suggested installation height 1-4m



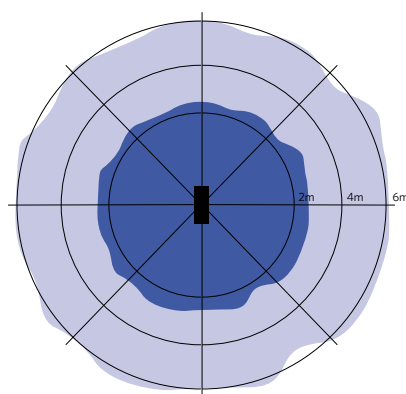
Installation - Ceiling Mounted
Suggested installation height 2.5-10m

Item codes:
543011000500
543011000300

LED Floodlight Sensor



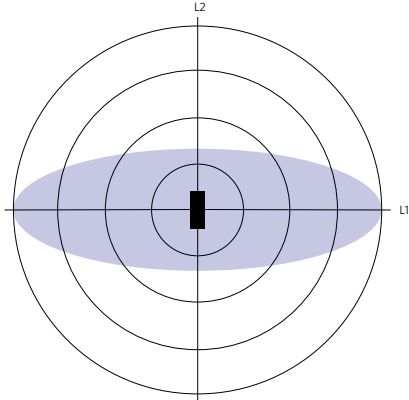
Installation - Wall Mounted
Suggested installation height 2.5-6m



Installation - Ceiling Mounted
Suggested installation height 2.5-6m

Item code:
140065060

LED Trunking Sensor L/H

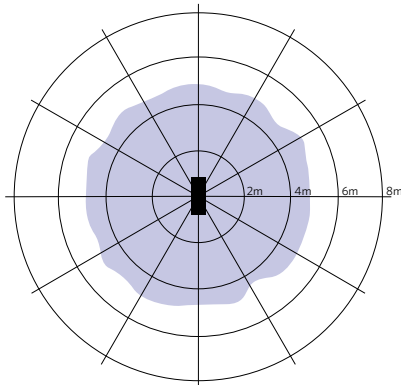


Item codes:
542098004600
542098004700

Installation height (m)	Sensor Probe L (m)		Sensor Probe H (m)	
	50% Sensitivity (L1xL2)	100% Sensitivity (L1xL2)	50% Sensitivity (L1xL2)	100% Sensitivity (L1xL2)
3	2.1x1.5	5.0x2.2	NA	NA
4	1.8x1.3	4.5x2.2	2.9x1.6	6.7x2.9
5	1.0x1.2	4.0x2.1	5.3x2.0	8.4x3.6
6	NA	NA	5.5x2.1	10.0x4.4
7	NA	NA	4.6x1.8	9.0x3.9
8	NA	NA	3.7x1.6	8.0x3.6
9	NA	NA	3.4x1.6	7.0x3.2
10	NA	NA	2.9x1.4	6.0x2.8

Installation - Ceiling Mounted

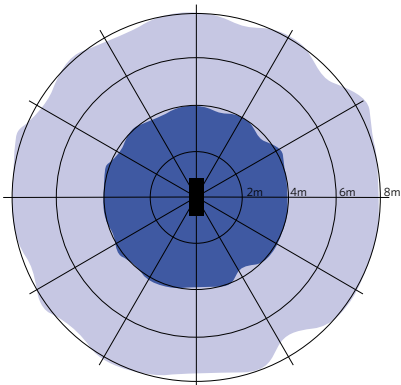
Smart Sensor



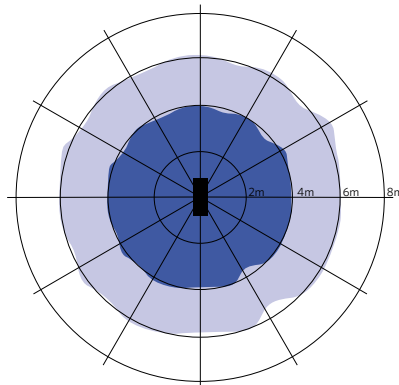
Item code:
140063563

Installation - Low Ceiling
Suggested installation height 2-3m

Smart Sensor MW



Installation - Low Ceiling
Suggested installation height 2-3m

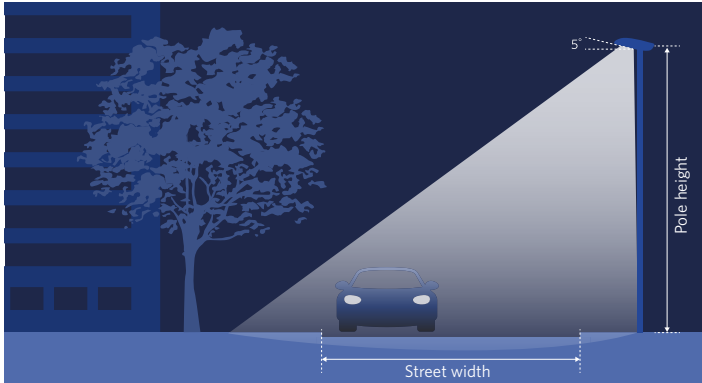


Installation - High Ceiling
Suggested installation height 6-13m

Item code:
56000008400

Roadlight - Possible pole distances

Maximum Pole Distances



Lighting Class according to EN 13201: 2015
 Lighting Calculation details:
 • Roadway surface CIE R3 Qo: 0.7
 • Maintenance factor: 0.8
 • Arrangement type: single side bottom

All rights reserved. No rights can be derived from the provided information.

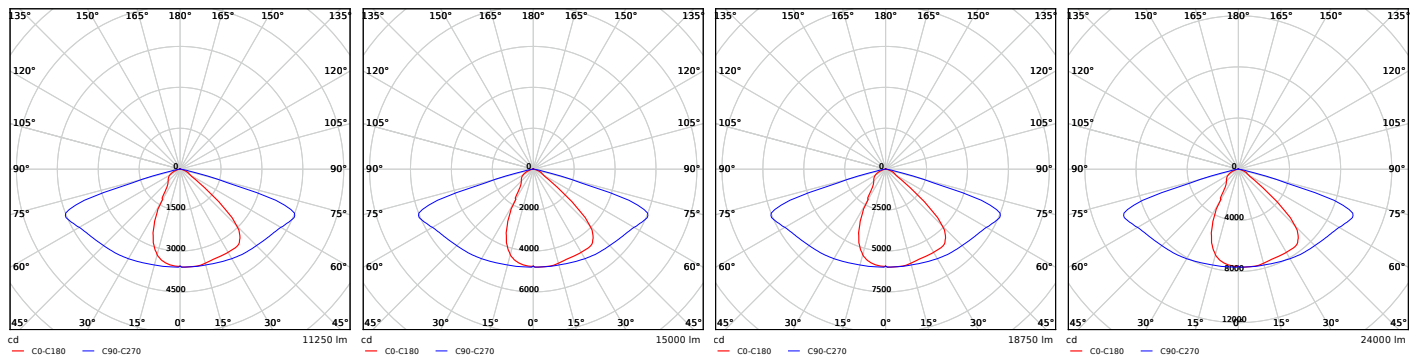
M-Class Roads

Luminaire	Illuminance Class	Width [m]	Pole distance[m]	Pole height [m]	Boom angle [°]	Light overhang [m]
543014005800 LEDRoadlight-90W-4000-DALI	M3	11	32	8	10	1
		10	34	8	5	1
		9	35	8	10	0,8
		8	35	9	0	0,9
	M4	11	39	9	10	1
		10	40	10	0	0,9
		9	41	10	5	0,9
		8	42	10	5	0,6
543014005700 LEDRoadlight-120W-4000-DALI	M3	11	39	9	10	0,7
		10	40	10	0	1
		9	41	10	0	0,6
		8	42	10	5	0,9
	M4	11	47	11	5	0,7
		10	48	11	10	0,6
		9	49	12	0	0,9
		8	51	12	5	0,9

Luminaire	Illuminance Class	Width [m]	Pole distance[m]	Pole height [m]	Boom angle [°]	Light overhang [m]
543014005600 LEDRoadlight-150W-4000-DALI	M3	11	45	11	0	0,9
		10	46	11	5	0,8
		9	47	11	5	0,8
		8	48	11	10	0,3
	M4	11	54	13	0	1
		10	55	13	5	1
		9	55	13	10	0,4
		8	57	14	0	1
543014005500 LEDRoadlight-200W-4000-DALI	M3	11	52	12	10	0,9
		10	54	13	0	1
		9	55	13	5	1
		8	55	13	5	0,7
	M4	11	62	15	0	0,7
		10	64	15	5	0,9
		9	64	15	5	0,2
		8	65	15	10	0

M-class = main road

Polar Diagrams



LEDRoadlight 90W-4000K-DALI

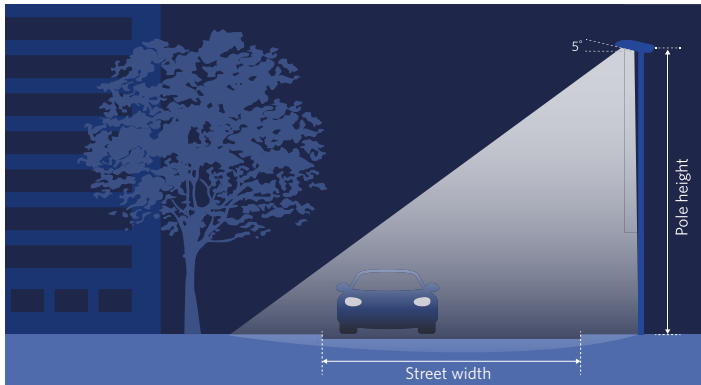
LEDRoadlight 120W-4000K-DALI

LEDRoadlight 150W-4000K-DALI

LEDRoadlight 200W-4000K-DALI

Streetlight - Possible pole distances

Maximum Pole Distances



Lighting Class according to EN 13201: 2015
 Lighting Calculation details:

- Roadway surface CIE R3 Qo: 0.7
- Maintenance factor: 0.8
- Arrangement type: single side bottom

All rights reserved. No rights can be derived from the provided information.

M-Class Roads

Luminaire	Illuminance Class	Street width [m]	Maximum pole distance[m]	Pole height [m]	Boom angle [°]	Light overhang [m]
140065922-LEDStreetlight 20W-4000K-SE	M5	4	26	5	5	0,1
		5	24	5	5	0,3
		6	22	5	5	0,4
	M6	4	35	7	5	0,2
		5	34	6,5	5	0,1
		6	32	6,5	5	0,5
140066385-LEDStreetlight 40W-4000K-SE	M5	4	37	7,5	5	0,4
		5	36	7	5	0,2
		6	34	7	5	0,4
	M6	4	49	10	5	0,5
		5	48	9,5	5	0,1
		6	46	9,5	5	0,5
543014002700-LEDStreetlight 65W-4000K-SE	M4	5	34	8,5	5	0,3
		6	33	8,5	5	0,4
		7	32	8	5	0,4
	M5	8	30	8	5	0,5
		5	47	10	5	0,3
		6	46	9,5	5	0,3
		7	44	9,5	5	0,5
		8	41	9,5	5	0,5

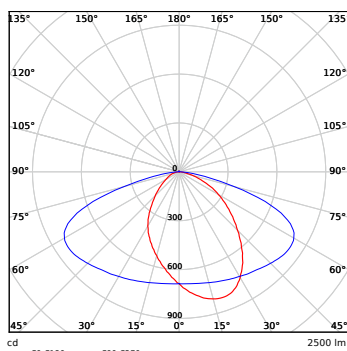
M-class = main road

P-Class Roads

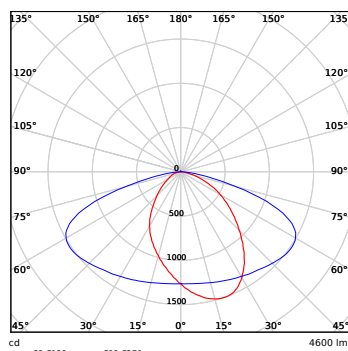
Luminaire	Illuminance Class	Street width [m]	Maximum pole distance[m]	Pole height [m]	Boom angle [°]	Light overhang [m]
140065922-LEDStreetlight 20W-4000K-SE	P2	3	24	4,5	5	0
		4	23	4	5	0
		5	23	4	5	0,5
	P4	6	20	4	5	0,3
		3	35	6,5	5	0,5
		4	35	6,5	5	0,3
140066385-LEDStreetlight 40W-4000K-SE	P2	5	34	6	5	0,1
		6	33	6	5	0,5
		3	32	6	5	0,4
	P4	4	32	6,5	5	0,5
		5	32	6	5	0,2
		6	31	5,5	5	0,2
543014002700-LEDStreetlight 65W-4000K-SE	P4	3	47	9	5	0,1
		4	47	9	5	0,3
		5	46	9	5	0,5
	P2	6	46	8,5	5	0,3
		4	43	8,5	5	0,3
		5	42	8	5	0,1
		6	41	8,5	5	0,3
		7	41	8	5	0,5

P-class = pedestrian road

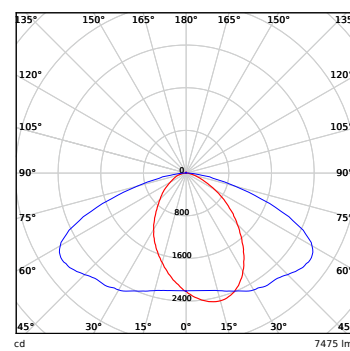
Polar Diagrams



LEDStreetlight 20W-4000K-SE



LEDStreetlight 40W-4000K-SE

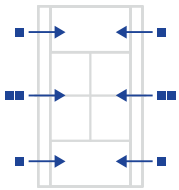


LEDStreetlight 65W-4000K-SE

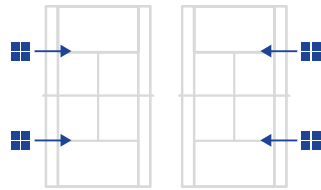
LED Flood HO - Configuration examples

TENNIS

Class II

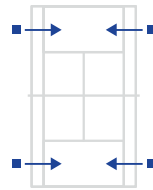


COMPETITION
SINGLE FIELD
4 X 1X 310W
2 X 1X 620W
POLE HEIGHT: 8M

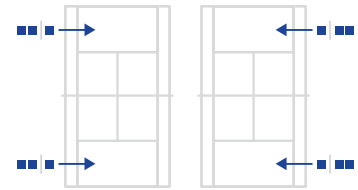


COMPETITION
DOUBLE FIELD
4 X 1240W
POLE HEIGHT: 11M

Class III



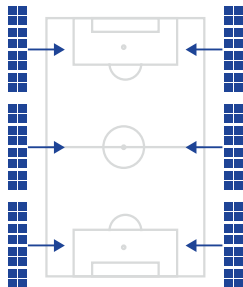
TRAINING
SINGLE FIELD
4 X 310W
POLE HEIGHT: 8M



TRAINING
DOUBLE FIELD
4 X 310W + 620W
POLE HEIGHT: 11M

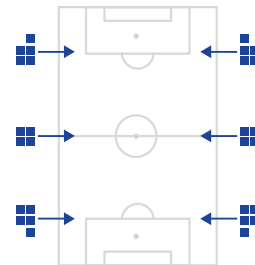
SOCCER

Class II



COMPETITION
PLAYING FIELD
4 X 4X 1240W
2 X 3X 1240W
POLE HEIGHT: 18M

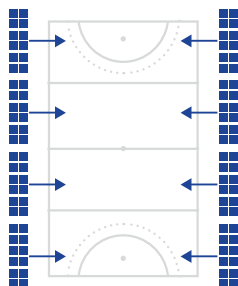
Class III



TRAINING
PLAYING FIELD
4 X 1 X 1240W
+ 1 X 310W
2 X 1 X 1240W
POLE HEIGHT: 21M

HOCKEY

Class II



HOCKEY
PLAYING FIELD
8 X 3X 1240W
POLE HEIGHT: 18M

The calculations are indicative and not binding in any way. Please contact us for a calculation tailored to your exact situation.

EN 12193-standard for a tennis court

	class II	class III
Average light intensity	300 lx	200 lx
Light homogeneity	0.7	0.6
Colour rendering	60	20

EN 12193 standard for a soccer pitch

	class II	class III
Average light intensity	200 lx	75 lx
Light homogeneity	0.6	0.5
Colour rendering	60	20

EN 12193 standard for a hockey pitch

	class II	class III
Average light intensity	250 lx	200 lx
Light homogeneity	0.7	0.7
Colour rendering	60	20

HOW TO READ THE TABLES?

The table describes the requirements of the EN12193 standard for each sports field in terms of light intensity and colour rendering. For example, a football pitch for competition use (class II) requires a minimum of 200 lux on average, with a homogeneity of 0.6 and colour rendering of at least 60. A training field (class III) requires uniform light distribution at 75 lux as a minimum and colour rendering of at least 60.

HOW MANY LED-MODULES DO YOU NEED?

These examples are based on the standards for football pitches, hockey pitches and tennis courts. Obviously, other field sports can also be illuminated with OPPLÉ's LED Flood HO sports field lighting system. Our service desk can tell you exactly which lighting standard applies to each specific type of sports field. Feel free to contact one of our advisers in order to specify the LED lighting package you require.

Call us on our service number: +31 88 056 7888. We look forward to assisting you.

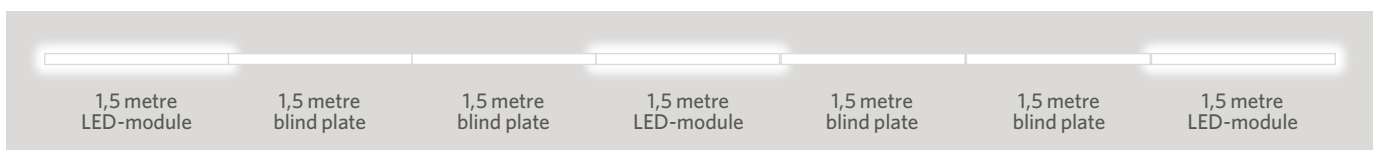
Trunking - module allocation

PARTS REQUIRED FOR ONE LED-LIGHTLINE WITH 50% LED-module allocation



Trunk length (m)	Number of LED modules	Number of 3m trunks	Number of 3m end trunks	Number of 1.5m end trunks	Number of blind plates	Number of feed-in boxes	Number of end caps	Minimum number of hanging points
1,5	1	0	0	1	0	1	1	2
4,5	2	1	0	1	1	1	1	2
7,5	3	2	0	1	2	1	1	3
10,5	4	3	0	1	3	1	1	4
13,5	5	4	0	1	4	1	1	5
16,5	6	5	0	1	5	1	1	6
19,5	7	6	0	1	6	1	1	7
22,5	8	7	0	1	7	1	1	8
25,5	9	8	0	1	8	1	1	9
28,5	10	9	0	1	9	1	1	10
31,5	11	10	0	1	10	1	1	11
34,5	12	11	0	1	11	1	1	12
37,5	13	12	0	1	12	1	1	13
40,5	14	13	0	1	13	1	1	14

PARTS REQUIRED FOR ONE LED-LIGHTLINE WITH 33% LED-module allocation



Trunk length (m)	Number of LED modules	Number of 3m trunks	Number of 3m end trunks	Number of 1.5m end trunks	Number of blind plates	Number of feed-in boxes	Number of end caps	Minimum number of hanging points
1,5	1	0	0	1	0	1	1	2
6,0	2	1	1	0	2	1	1	3
10,5	3	3	0	1	4	1	1	4
15,0	4	4	1	0	6	1	1	6
19,5	5	6	0	1	8	1	1	7
24,0	6	7	1	0	10	1	1	9
28,5	7	9	0	1	12	1	1	10
33,0	8	10	1	0	14	1	1	12
37,5	9	12	0	1	16	1	1	13
42,0	10	13	1	0	18	1	1	15





Smart	12
Indoor	26
Outdoor	104
Lamps & Accessories	124
Extended Portfolio	144
Technical data	148
Glossary	164

Definition of terms

CRI (Ra)

Colour Rendering Index

A color rendering index (CRI) is a quantitative measure of the ability of a light source to reveal the colors of various objects faithfully in comparison with an ideal or natural light source.

CCT

Color temperature in Kelvin

The color temperature of a light source is the temperature of an ideal black-body radiator that radiates light of comparable color to that of the light source.

lm

lumen

The lumen (symbol: lm) is a measure of the total quantity of visible light emitted by a source

lx

lux

lumen/m²

The lux (symbol: lx) is measuring luminous flux per unit area. It is equal to one lumen per square metre. In photometry, this is used as a measure of the intensity, as perceived by the human eye, of light that hits or passes through a surface.

Efficacy

lm/W

Amount of light produced (lm) per unit of energy consumed (W) Luminous efficacy is a measure of how well a light source produces visible light. It is the ratio of luminous flux to power, measured in lumens per watt

UGR

Unified Glare Rating

The unified glare rating (UGR) is a measure of the glare in a given environment. It is basically the logarithm of the glare of all visible lamps, divided by the background lumination.

DALI/DALI2

Digital Addressable Lighting Interface

Digital Addressable Lighting Interface (DALI) is a trademark for network-based systems that control lighting in building automation.

SDCM

standard deviation of color matching

SDCM has the same meaning as a "MacAdam ellipse". A 1-step MacAdam ellipse defines a zone in the CIE 1931 2 deg (xy) colour space within which the human eye cannot discern colour difference.

Power factor (pf)

Difference between power and apparent power

The power factor of an AC electrical power system is defined as the ratio of the real power flowing to the load to the apparent power in the circuit and is a dimensionless number in the closed interval of -1 to 1. A power factor of less than one means that the

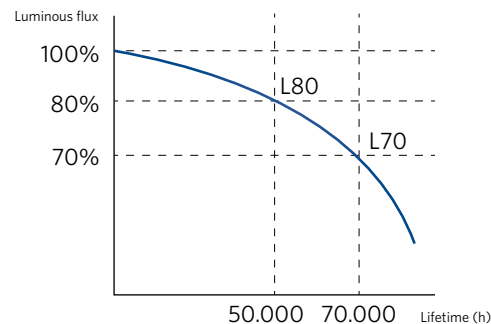
voltage and current waveforms are not in phase, reducing the instantaneous product of the two waveforms.

L70B50

Lifespan: 50% of the installed luminaires, gives min. 70% lightoutput

L80B50

Lifespan: 50% of the installed luminaires, gives min. 80% lightoutput



L70B50, L80B50 are as described in IEC 62717 and IEC 62722-2-1.

Input current

The steady state current which a device uses from the net after switch-on

Inrush Current

The maximum current that will occur during a short period of time after switching on of the luminaire.

IP

International Protection Rating

- The IP Code, International Protection Marking, IEC standard 60529, sometimes interpreted as Ingress Protection Marking, classifies and rates the degree of protection provided against intrusion (body parts such as hands and fingers), dust, accidental contact, and water by mechanical casings and electrical enclosures. It is published by the International Electrotechnical Commission (IEC). The equivalent European standard is EN 60529.
- The IP code consists of two digits. First digit: Solid particle protection. Second digit: Liquid ingress protection

1. The first digit indicates the level of protection that the enclosure provides against access to hazardous parts

- IP 0* No protection against contact and ingress of objects
- IP 1* Any large surface of the body, such as the back of a hand, but no protection against deliberate contact with a body part (> 50 mm)
- IP 2* Fingers or similar objects > 12.5 mm)
- IP 3* Tools, thick wires, etc. > 2.5mm)
- IP 4* Most wires, slender screws, large ants etc. 1 mm
- IP 5* Ingress of dust is not entirely prevented, but it must not

enter in sufficient quantity to interfere with the satisfactory operation of the equipment.

IP 6* No ingress of dust; complete protection against contact (dust tight). A vacuum must be applied. Test duration of up to 8 hours based on air flow.

2. The second digit indicates the level of protection that the enclosure provides against harmful ingress of water.

IP *0 None

IP *1 Dripping water (vertically falling drops) shall have no harmful effect on the specimen when mounted in an upright position onto a turntable and rotated at 1 RPM.

IP *2 Vertically dripping water shall have no harmful effect when the enclosure is tilted at an angle of 15° from its normal position. A total of four positions are tested within two axes.

IP *3 Water falling as a spray at any angle up to 60° from the vertical shall have no harmful effect, utilizing either:
a) an oscillating fixture, or b) A spray nozzle with a counterbalanced shield. Test a) is conducted for 5 minutes, then repeated with the specimen tilted 90° for the second 5-minute test. Test b) is conducted (with shield in place) for 5 minutes minimum.

IP *4 Water splashing against the enclosure from any direction shall have no harmful effect, utilizing either: a) an oscillating fixture, or b) A spray nozzle with no shield.
Test a) is conducted for 10 minutes. Test b) is conducted (without shield) for 5 minutes minimum.

IP *5 Water projected by a nozzle (6.3 mm) against enclosure from any direction shall have no harmful effects.

IP *6 Water projected in powerful jets (12.5 mm nozzle) against the enclosure from any direction shall have no harmful effects.

IP *7 Ingress of water in harmful quantity shall not be possible when the enclosure is immersed in water under defined conditions of pressure and time (up to 1 m of submersion).

IP *8 The equipment is suitable for continuous immersion in water under conditions which shall be specified by the manufacturer. However, with certain types of equipment, it can mean that water can enter but only in such a manner that it produces no harmful effects. The test depth and/or duration is expected to be greater than the requirements for IPx7, and other environmental effects may be added, such as temperature cycling before immersion.

IP *9 Protected against close-range high pressure, high temperature spray downs. Smaller specimens rotate slowly on a turntable, from 4 specific angles. Larger specimens are mounted upright, no turntable required, and are tested freehand for at least 3 minutes at distance of 0.15–0.2 m."

IK

This is an international numeric classification for the degrees of protection provided by enclosures for electrical equipment against external mechanical impacts. It provides a means of specifying the capacity of an enclosure to protect its contents from external impacts.

The most common IK values are:

- IK 02 Impact Resistance 0.2 Joules
Standard impact resistance, for example, a standard fixture
- IK 04 Impact Resistance 0.5 Joules
Standard Plus impact resistance, for example, a standard luminaire with an enhanced optical system

- IK 07 Shock resistance 2 Joule
Fortified fixture, for example, a standard fixture with a grid

- IK 08 Resistance to shock of 5 Joules
Vandalism protective fixture, such as a closed luminaire with polycarbonate or glass shade

- IK 10 Shock resistance 20 Joules
Vandal-proof fixture, for example a closed luminaire

SKG

SKG has developed into the partner for safeguarding the long-term performance and safety of industrial products for the building envelope.

Protection class

IEC protection classes are defined in IEC 61140 and used to differentiate between the protective-earth connection requirements of devices. These appliances must have their chassis connected to electrical earth.

- Class 0 These appliances have no protective-earth connection and feature only a single level of insulation between live parts and exposed metalwork. If permitted at all, Class 0 items are intended for use in dry areas only.
- Class 1 These appliances must have their chassis connected to electrical earth (US: ground) by a separate earth conductor (coloured green/yellow in most countries, green in the US, Canada and Japan). The earth connection is achieved with a 3-conductor mains cable, typically ending with 3-prong AC connector which plugs into a corresponding AC outlet.
- Class 01 Electrical installations where the chassis is connected to earth with a separate terminal, instead of via the mains cable. In effect this provides the same automatic disconnection as Class I, for equipment that otherwise would be Class 0
- Class 2 A Class II or double insulated electrical appliance is one which has been designed in such a way that it does not require a safety connection to electrical earth (ground).
- Class 3 A Class III appliance is designed to be supplied from a separated/safety extra-low voltage (SELV) power source. The voltage from a SELV supply is low enough that under normal conditions a person can safely come into contact with it without risk of electrical shock. The extra safety features built into Class I and Class II appliances are therefore not required. For medical devices, compliance with Class III is not considered sufficient protection, and further more-stringent regulations apply to such equipment.

Flicker free

Flicker is the fluctuation of the light output of a luminaire or lamp in time. The amount of flicker is expressed by the flicker percentage. If the flicker percentage is categorized as "no risk" according to the IEC 1789 standard, OPPL categorizes the product as being "flicker free".

D-Mark

According to VDE 0711 Part 2 – 24, luminaires bearing this symbol, due to their limited surface temperatures, are suitable for installations where dust material presents a fire hazard.

OPPLE

OPPLE LIGHTING

Materiaalweg 6
5681 RJ Best, The Netherlands

T +31 (0) 88 056 7888

E service@opple.com

OPPLE.COM